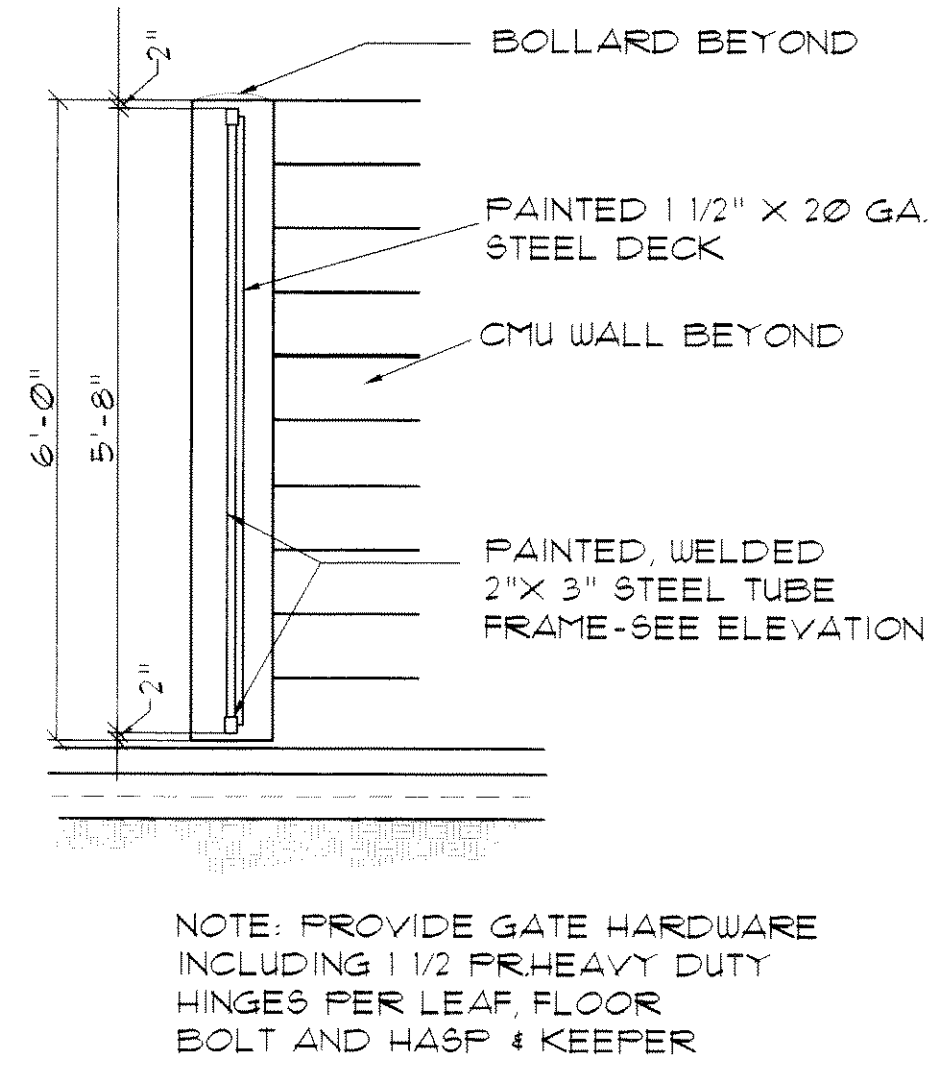


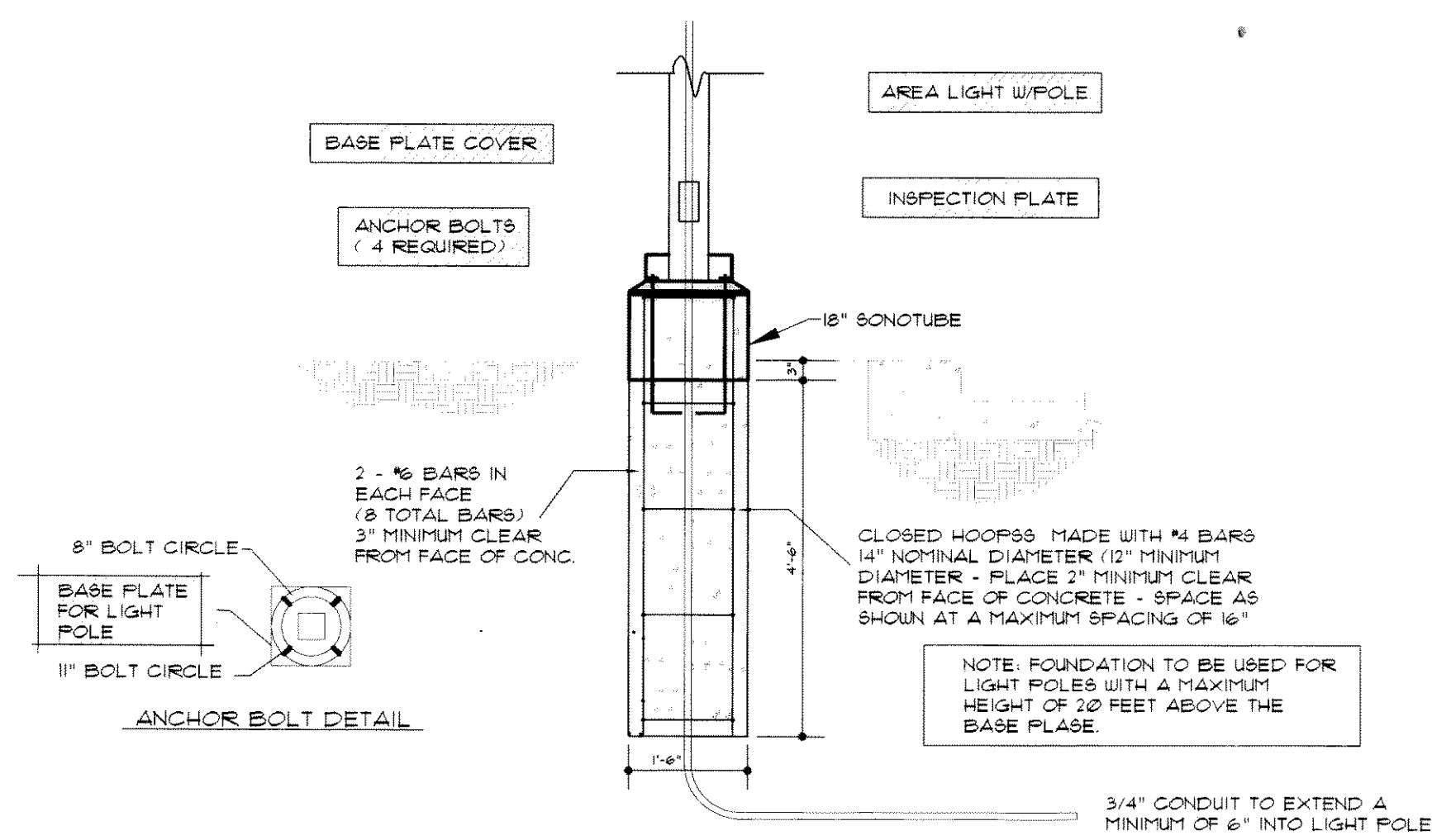
SECTION A

01 DUMPSTER SCREEN SECTION

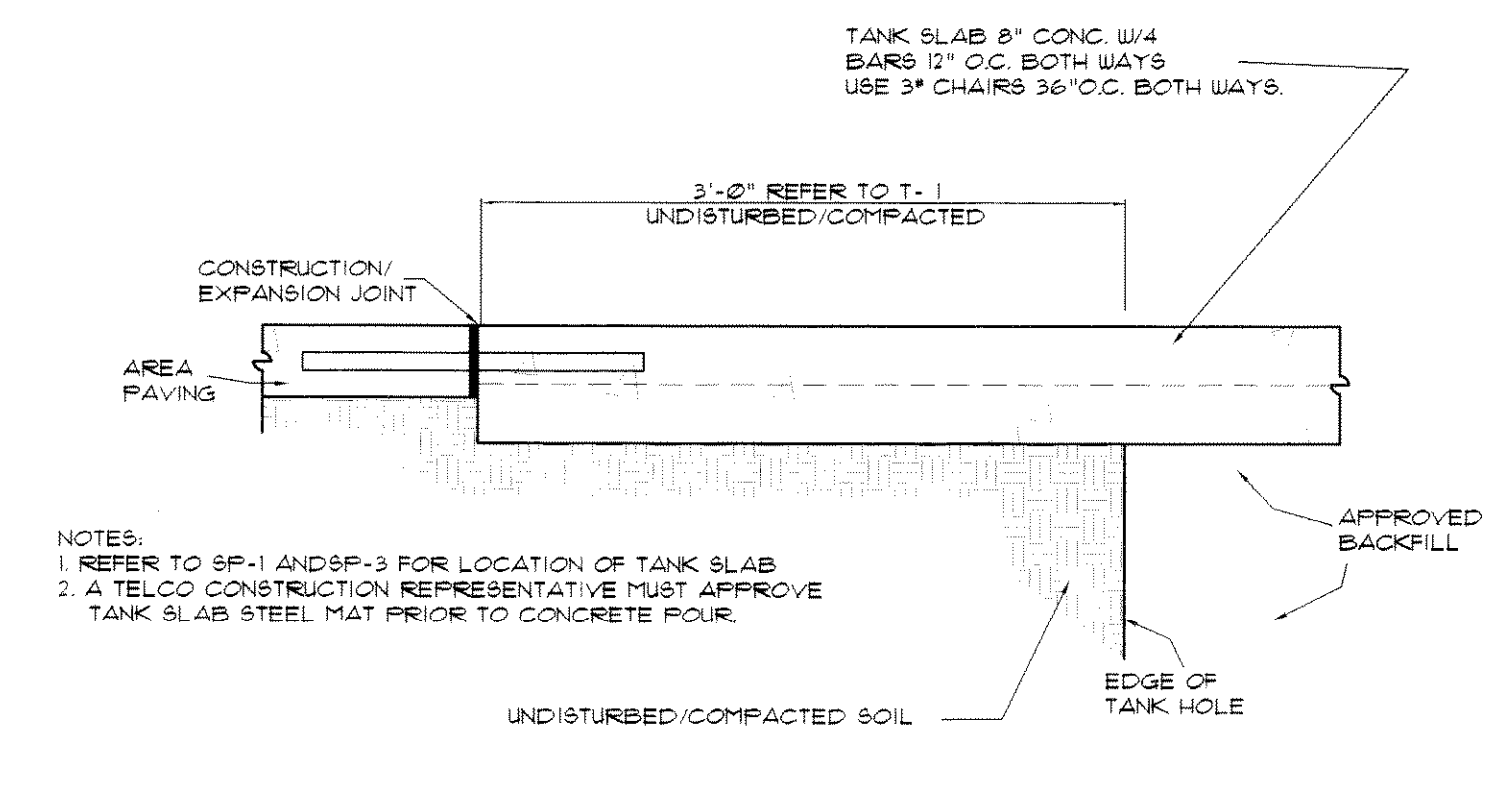


SECTION B

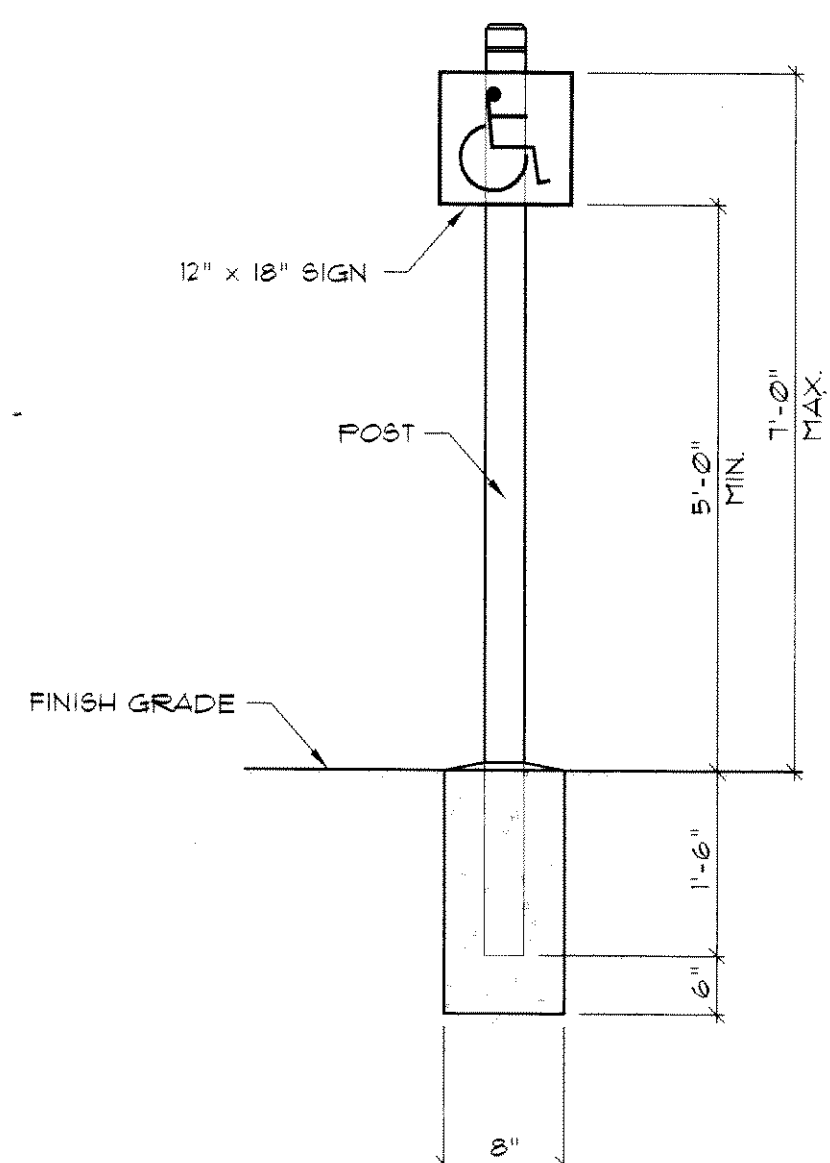
NOTE: PROVIDE GATE HARDWARE INCLUDING 1 1/2 PRHEAVY DUTY HINGES PER LEAF, FLOOR BOLT AND HASP 4 KEEPER



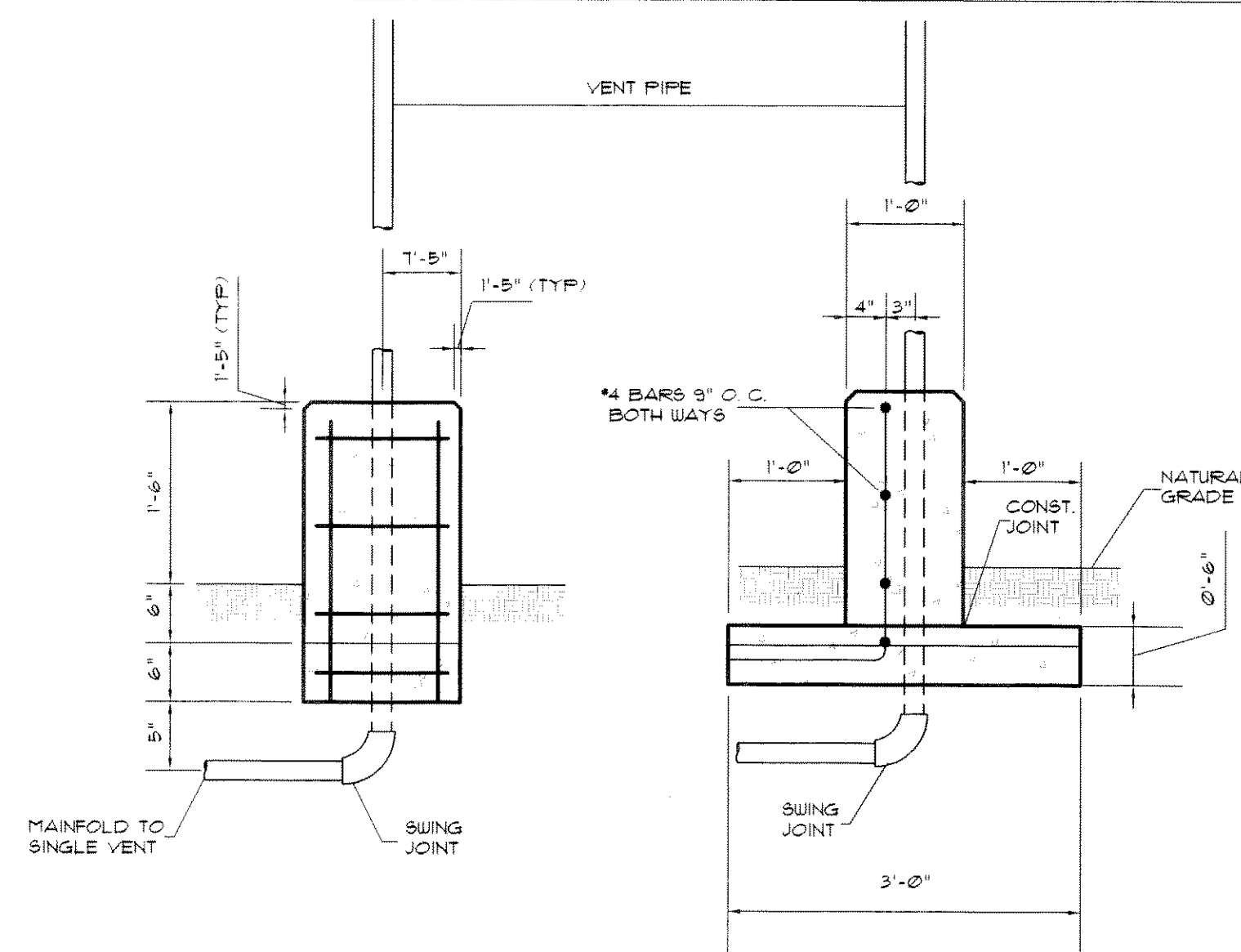
03 AREA LIGHT FOOTING



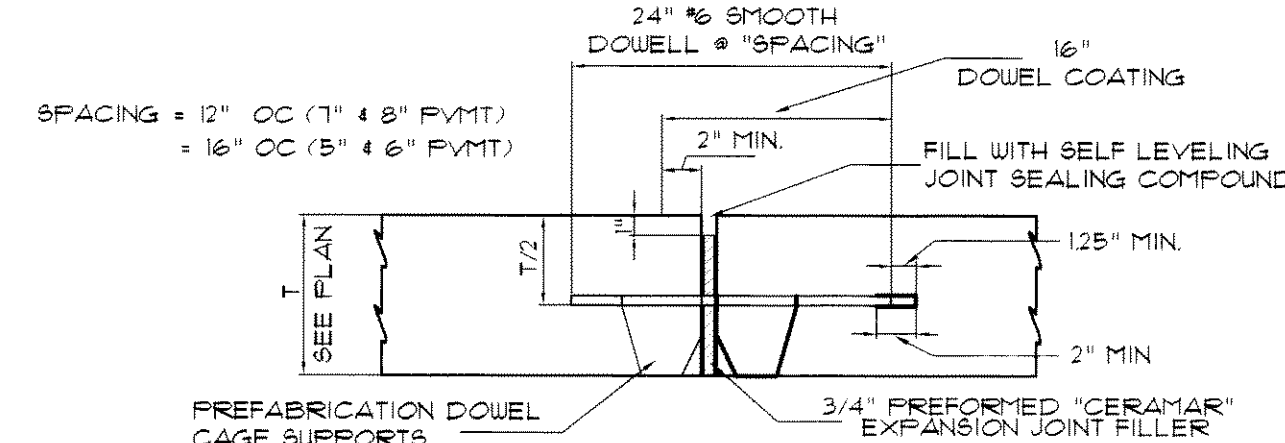
06 TANK SLAB
SEE A-1, KEY-WAY DET. 05



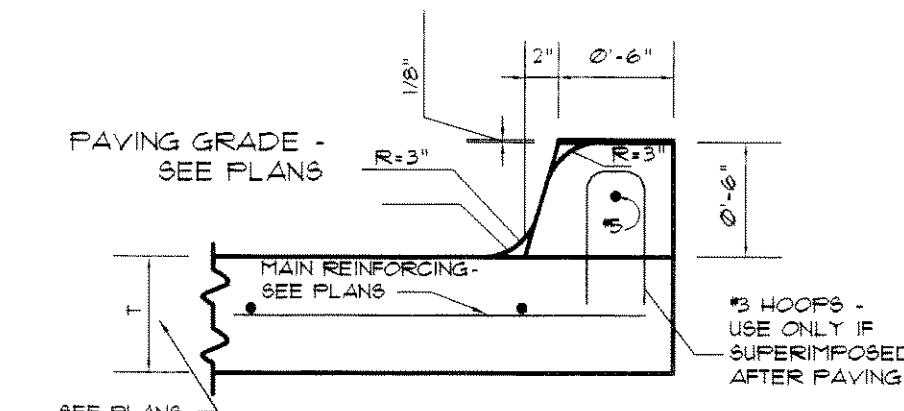
09 DTL. @ H.C. PARKING SIGN
N.T.S.



02 VENT PIPE FOOTING

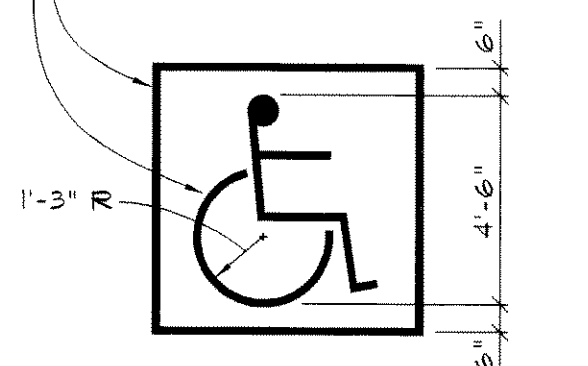


04 EXP. JT. 5" THRU 8" PAVMT
SEE AUT. KEY-WAY DET. 05

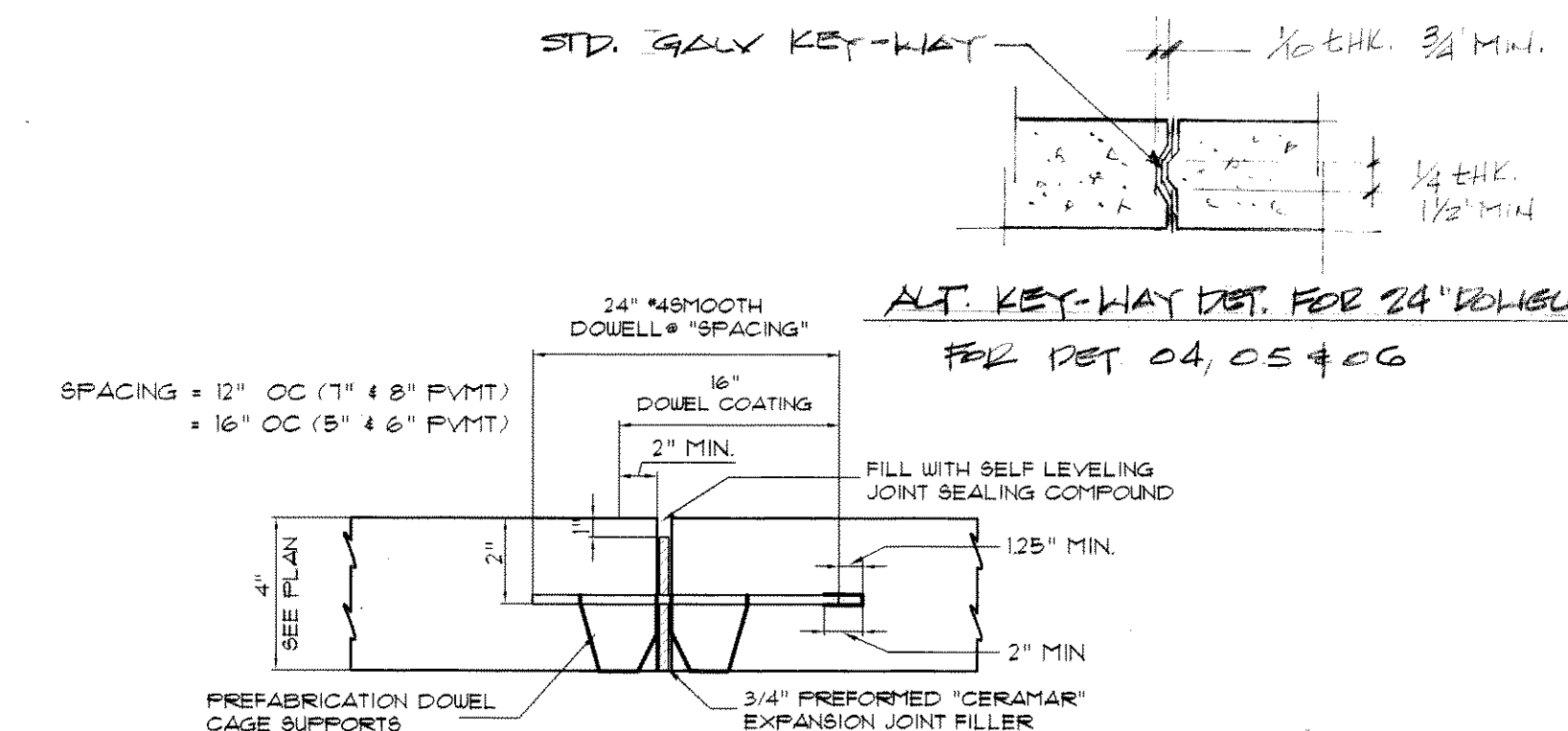


07 CURB

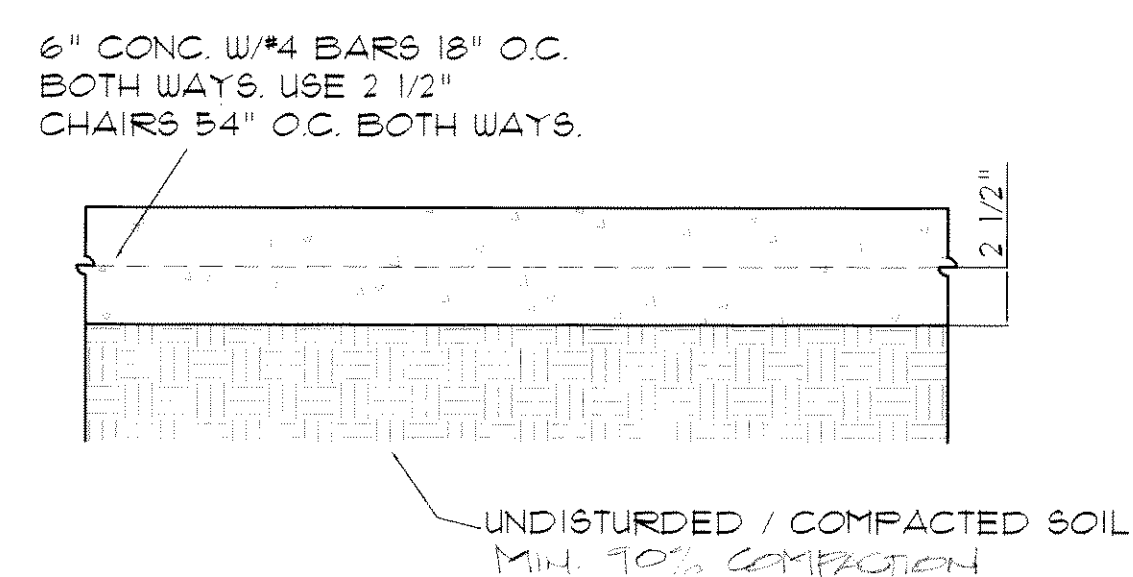
LOCATE SYMBOL AT EACH HANDICAP PARKING SPACE - SEE SITE PLAN 3\"/>



10 HANDICAP SYMBOL
N.T.S.



05 EXP. JT. - SIDE WALK & AREA PAVMT.

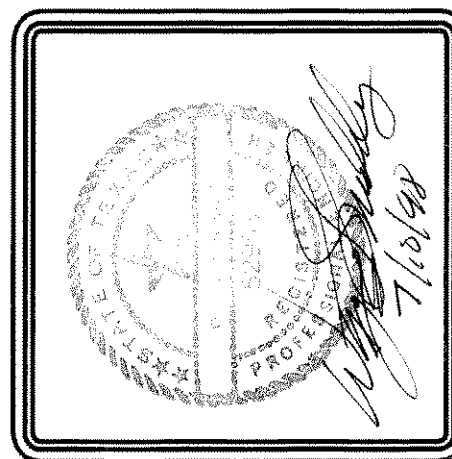


08 AREA PAVING

REVISIONS	BY
1-9/19/98	WLS

DETAIL SH.

A & A DESIGN
116 ADAMS ROAD
LONGVIEW, TX 75604
TEL. (936) 896-8531
FAX (936) 895-8634



SCOTTIES CONY. STORE
HORIZON RD. @ RIDGE RD. - FM. 740

J.M. AMERICAN CANOPIES
1112 NORTH MAIN - GLADEWATER, TX - (936) 845-4066

DRAWN BY HDY
CHECKED BY WLS
DATE 06/05/98
BY SCOT.CONY.DTL.
JOB NO. 0605-98
SHEET

C = T
OF SHEETS