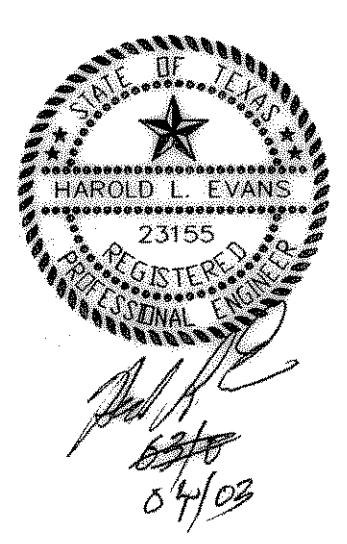
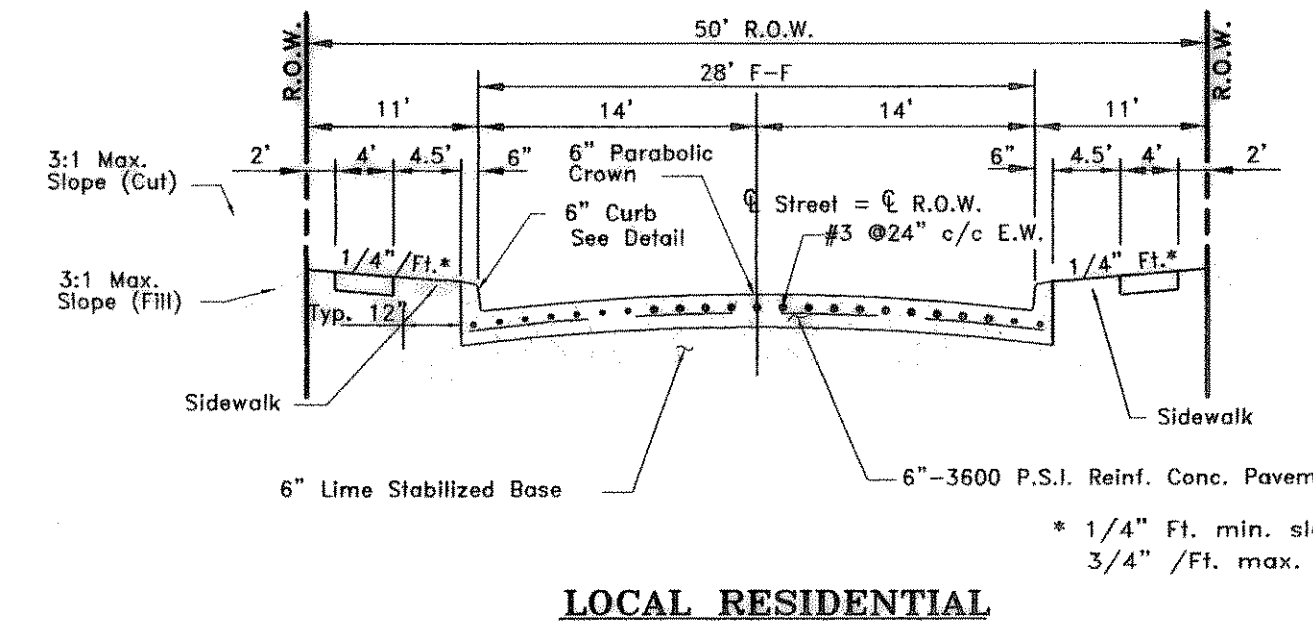
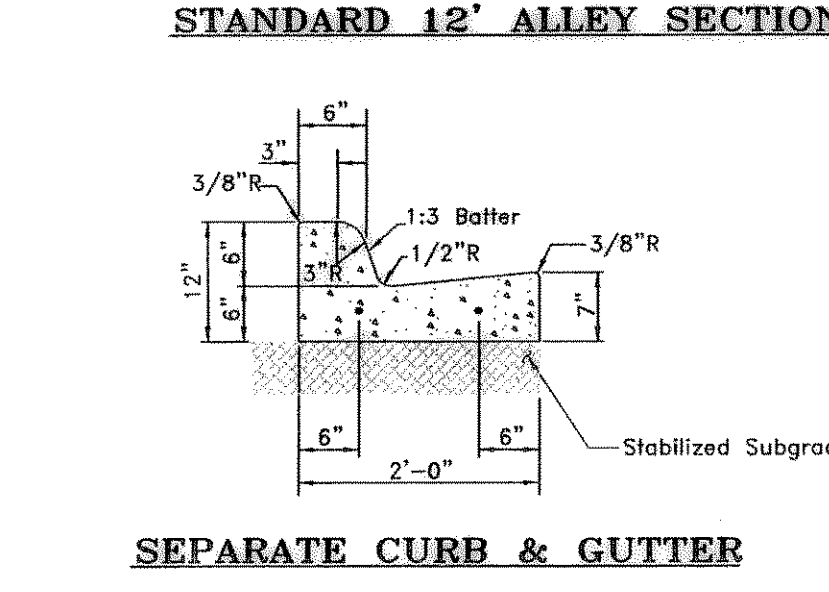
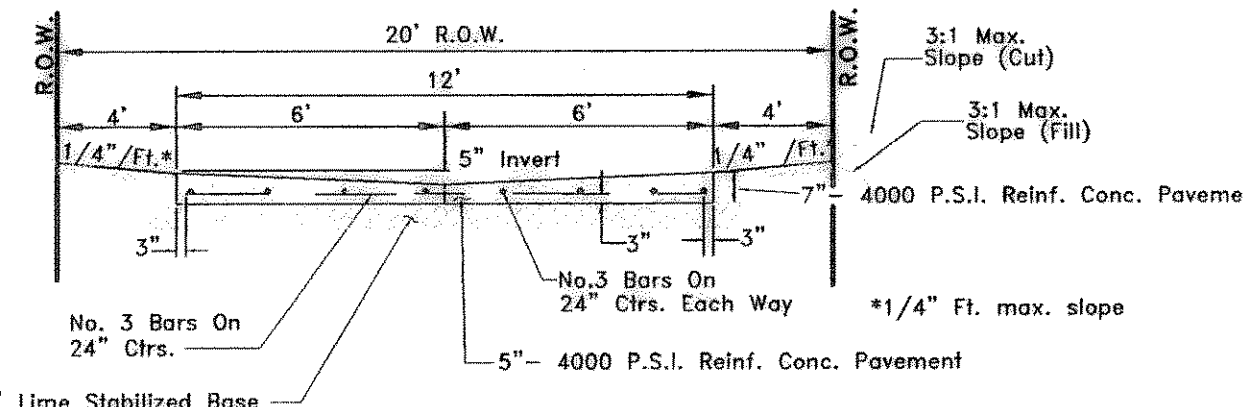
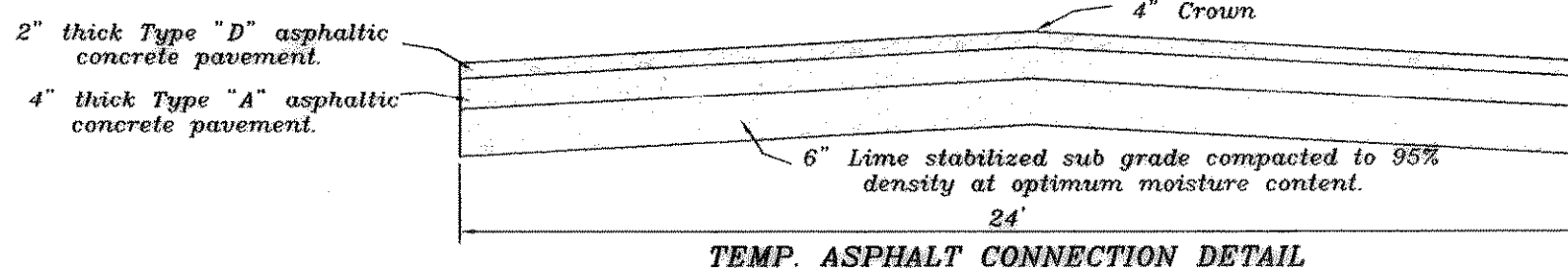


- Bench Mark:
- City of Rockwall Monument No. 5 located in the grass median of Summit Ridge Drive just West of F.M. 740 Elevation = 578.708'
 - Found cut square on top of curb at NE corner of the intersection of Bourn and Alamo Road. Elevation = 589.11'



AS BUILT

HAROLD L. EVANS CONSULTING ENGINEER P.O. BOX 28855 2331 GUS THOMASSON ROAD, SUITE 102 DALLAS, TEXAS 75228, (214) 328-8133		PROPOSED PAVING REPLAT LOTS 5-8, & WEST 57 FEET OF LOTS 3&4, BLOCK M CITY OF ROCKWALL		SHEET NO. 3 7 JOB NO. 02060
REVISION DESCRIPTION 028024V1	DATE 3/14/03	SCALE 1" = 40' 1" = 6'	DESIGN H.L.E.	DRAWN