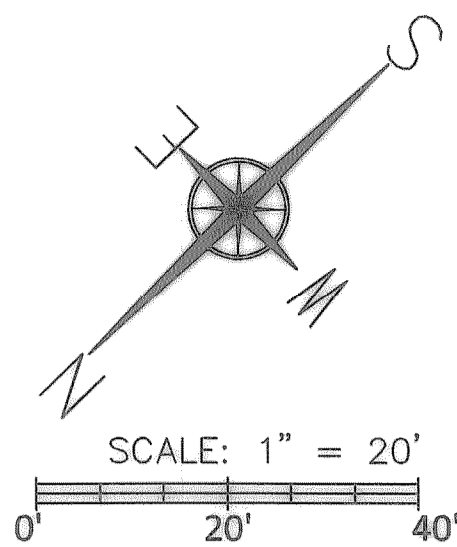


LEGEND	
WATER LINE	—W—
SANITARY SEWER	—SS—
STORM SEWER	—ST—
ELECTRIC	—E—
RIGHT OF WAY	—R—
LOT BOUNDARY	—L—
FIRE LANE	—FL—
EASEMENT BOUNDARY	—EB—
100 YEAR FLOODPLAIN	—100—
SIDEWALK	—S—
GRADING BREAKLINE	—GB—
EDGE OF PAVING/ BACK OF CURB	—EPC—
FIRE HYDRANT	—FH—
WATER BLOW OFF VALVE	—WBV—
WATER GATE VALVE	—WGV—
SANITARY MANHOLE	—SM—
SANITARY CLEANOUT	—SC—
STORM INLET/JUNCTION	—SI—
DRAINAGE SLOPE/DIRECTION	—DS—
EXISTING CONTOURS	—EX—
PROPOSED CONTOURS	—PR—



GRADING LEGEND	
TOP TOP OF PAVING
EOC EDGE OF CONCRETE
TOC TOP OF CURB
TOS TOP OF SIDEWALK
FL FLOWLINE

SURVEY/REPLAT PROVIDED BY:
TerraCorp Associates LLC
 3960 Broadway Blvd. Ste 236
 Garland, TX 75043
 ph. 972-805-4529, fax 972-805-4527
 www.terraCorpsurvey.com

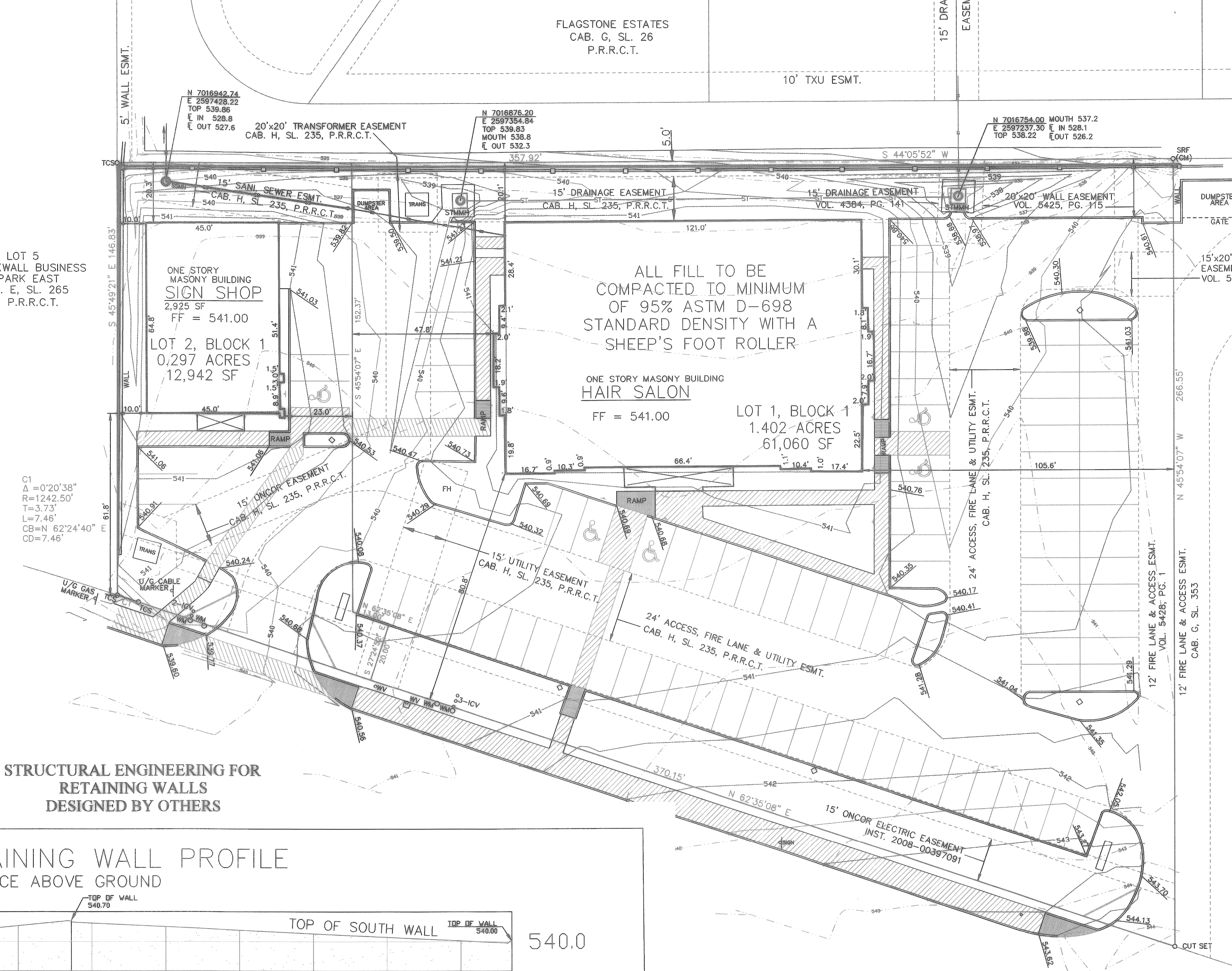
SURVEY LEGEND	
(CM) CONTROL MONUMENT
(IPF) IRON PIPE FOUND
(SRF) STEEL ROD FOUND
(TCS) 5/8-INCH STEEL ROD
() W/ TERRACORP CAP SET
() DEED CALLS

SURVEY NOTES
 1. Bearings shown hereon are based on NAD83(CORS96, EPOCH 2002) tied to the Texas Coordinate System of 1983, North Central Zone (4202) using the Geoshack "GeoNet" RTK GPS Network.
 The convergence/mapping angle at the P.O.B is 01°07'01" with a combined scale factor of 0.999854015.

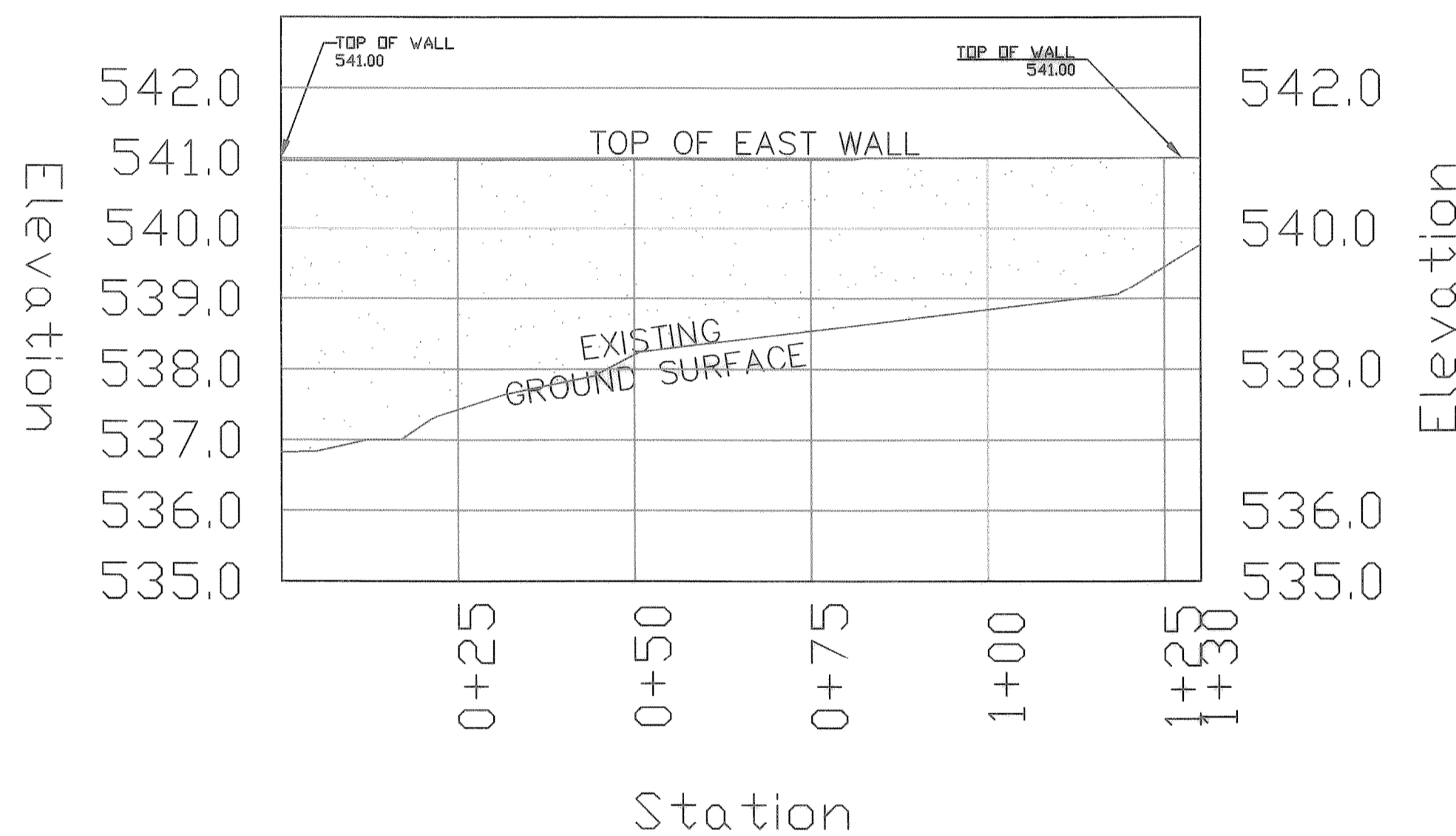
CONSTRUCTION DETAILS ARE AS OUTLINED IN THE STANDARD SPECIFICATIONS FOR PUBLIC WORKS CONSTRUCTION, NORTH CENTRAL TEXAS, THIRD EDITION AND CITY OF ROCKWALL STANDARDS OF DESIGN AND CONSTRUCTION

LOT 5
 ROCKWALL BUSINESS
 PARK EAST
 CAB. E, SL. 265
 P.R.R.C.T.

STRUCTURAL ENGINEERING FOR
 RETAINING WALLS
 DESIGNED BY OTHERS

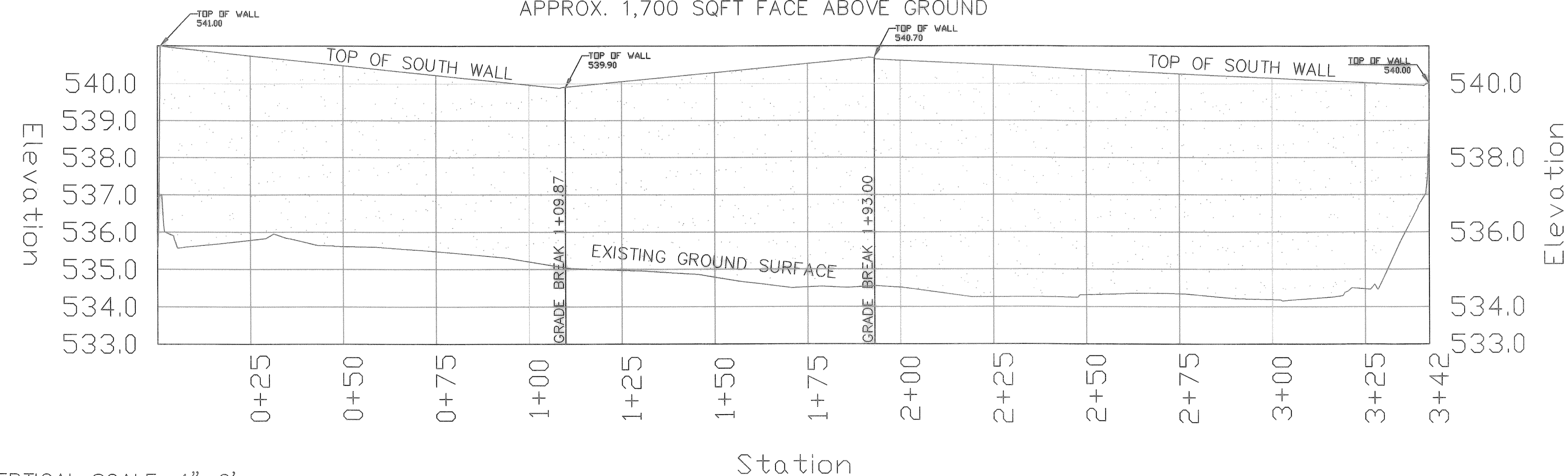


PROPOSED EAST RETAINING WALL PROFILE
 APPROX. 300 SQFT FACE ABOVE GROUND



VERTICAL SCALE: 1"=2'

PROPOSED SOUTH RETAINING WALL PROFILE
 APPROX. 1,700 SQFT FACE ABOVE GROUND

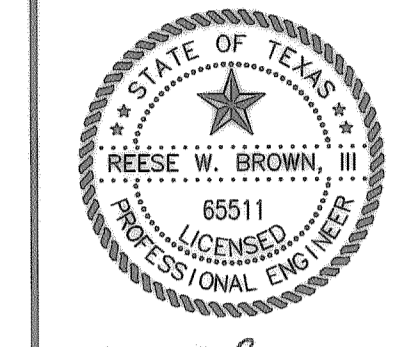


VERTICAL SCALE: 1"=2'

ALL FILL TO BE COMPACTED TO MINIMUM OF 95% ASTM D-698 STANDARD DENSITY WITH A SHEEP'S FOOT ROLLER

ALL PROPOSED ELEVATIONS AND CONTOURS SHOWN ARE TOP OF CONCRETE SIDEWALK, PAVING, CURB AND FINISH GRADE FOR LANDSCAPED AREAS

WELDON BROWN ENGINEERING, L.C.
 TBPE #10477
 297 WATERFORD WAY
 MONTGOMERY
 TEXAS 77356
 (832) 691-1581



Reese W. Brown, III
 THE SEAL AND SIGNATURE APPEARING ON THIS DOCUMENT WAS AUTHORIZED BY REESE W. BROWN, III, P.E. TBPE #65511 ON 11-13-12

OWNER:
ROCKWALL SALONS, LLC dba SALONS ELITE
 P.O. BOX 846
 SEAGOVILLE, TX 75159

TO THE BEST OF OUR KNOWLEDGE WELDON BROWN ENGINEERING, L.C. HEREBY STATES THAT THIS PLAN IS AS-BUILT. THIS INFORMATION PROVIDED IS BASED ON SURVEYING AT THE SITE AND INFORMATION PROVIDED BY THE CONTRACTOR.

PFEFFER/INMAN ADDITION
 2 LOTS - 1.6989 ACRES
 J.D. McFARLAND SURVEY, ABSTRACT NO. 145
 CITY OF ROCKWALL, ROCKWALL COUNTY, TEXAS

SHEET TITLE:
AS-BUILT GRADING PLAN

DATE: 11/13/12

C-4