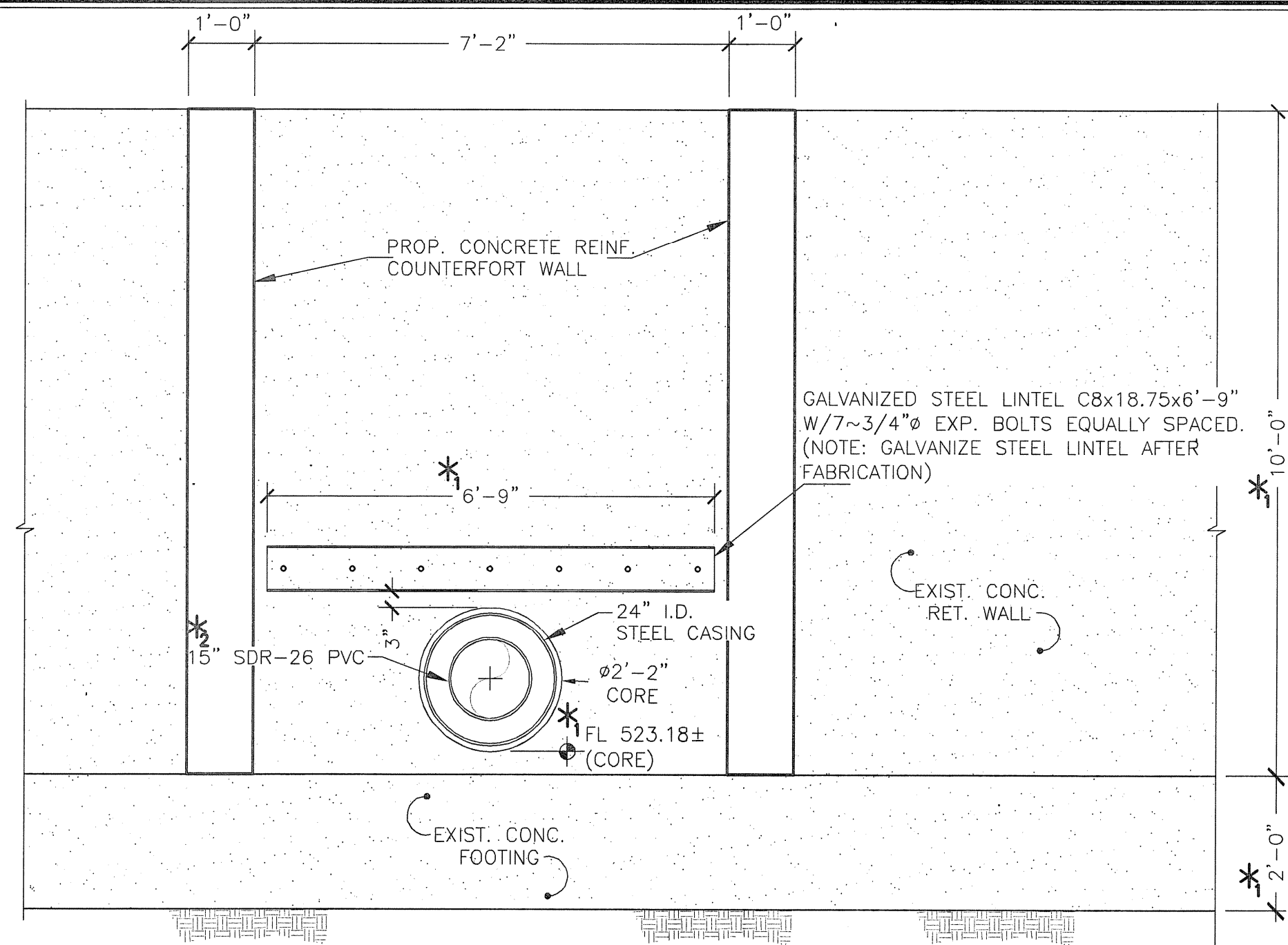


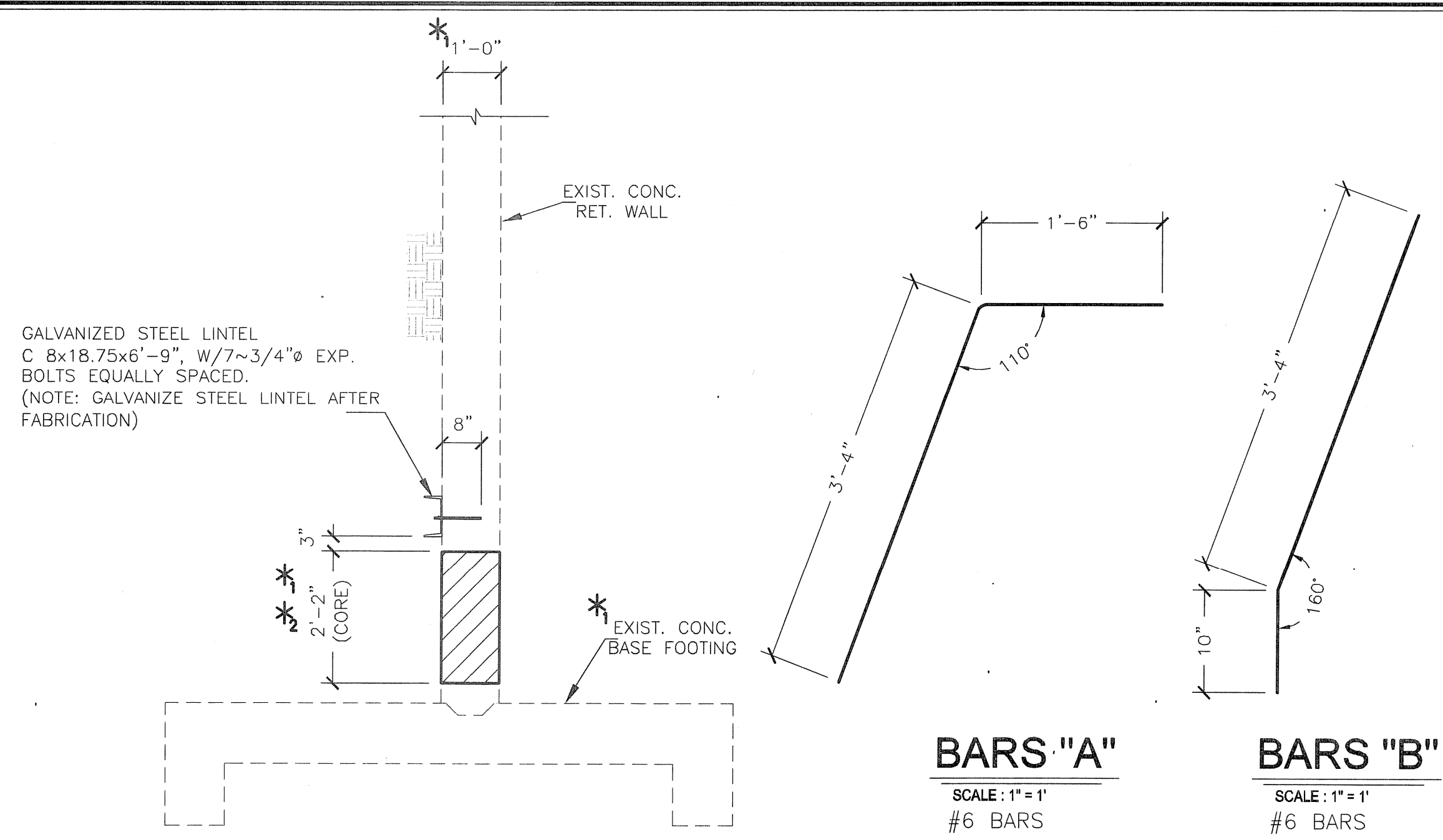
TOP VIEW

SCALE: 1" = 1'



FRONT ELEVATION

SCALE: 1" = 2'



SECTION B

SCALE: 1" = 2'

BARS "A"

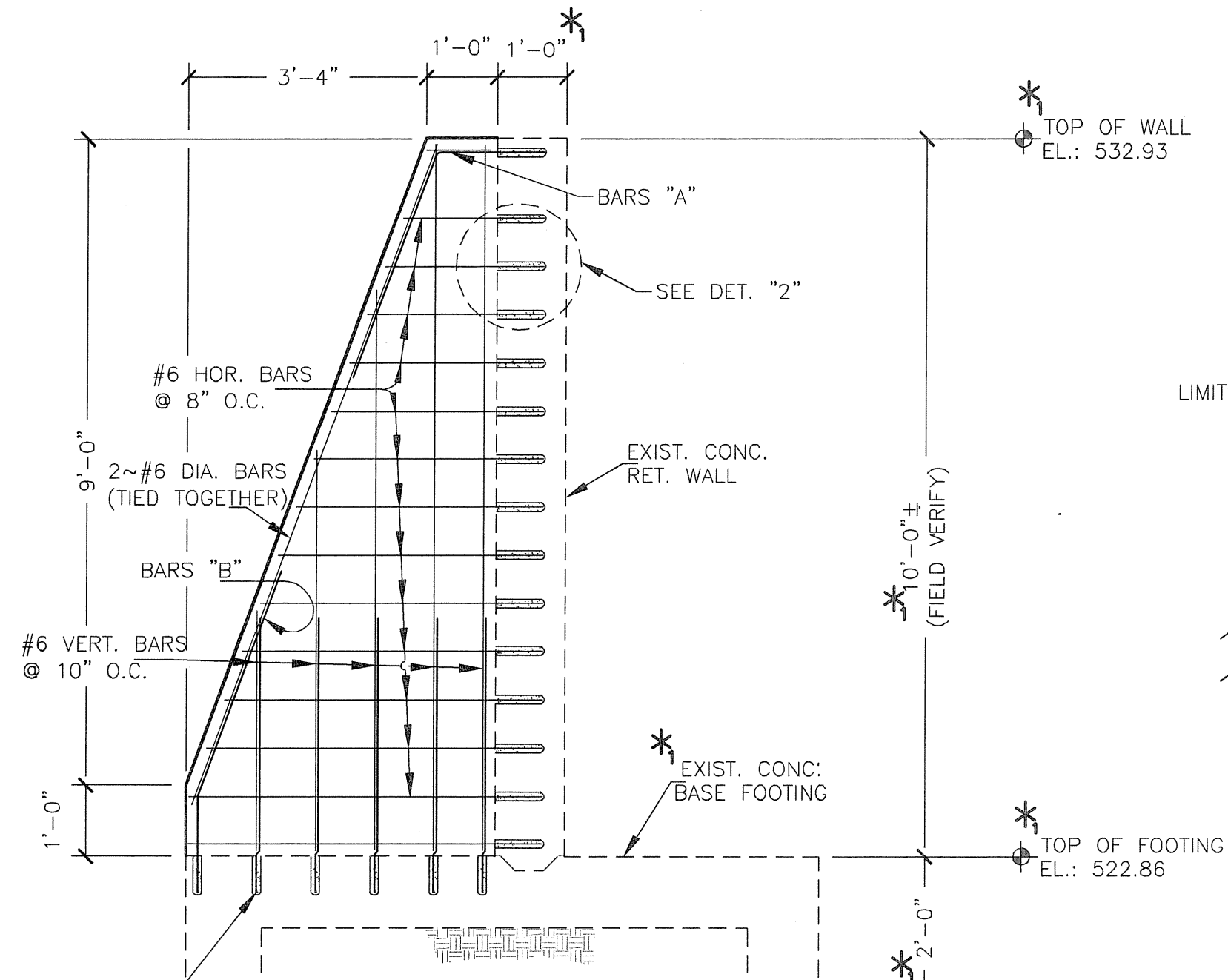
SCALE: 1" = 1'
#6 BARS

BARS "B"

SCALE: 1" = 1'
#6 BARS

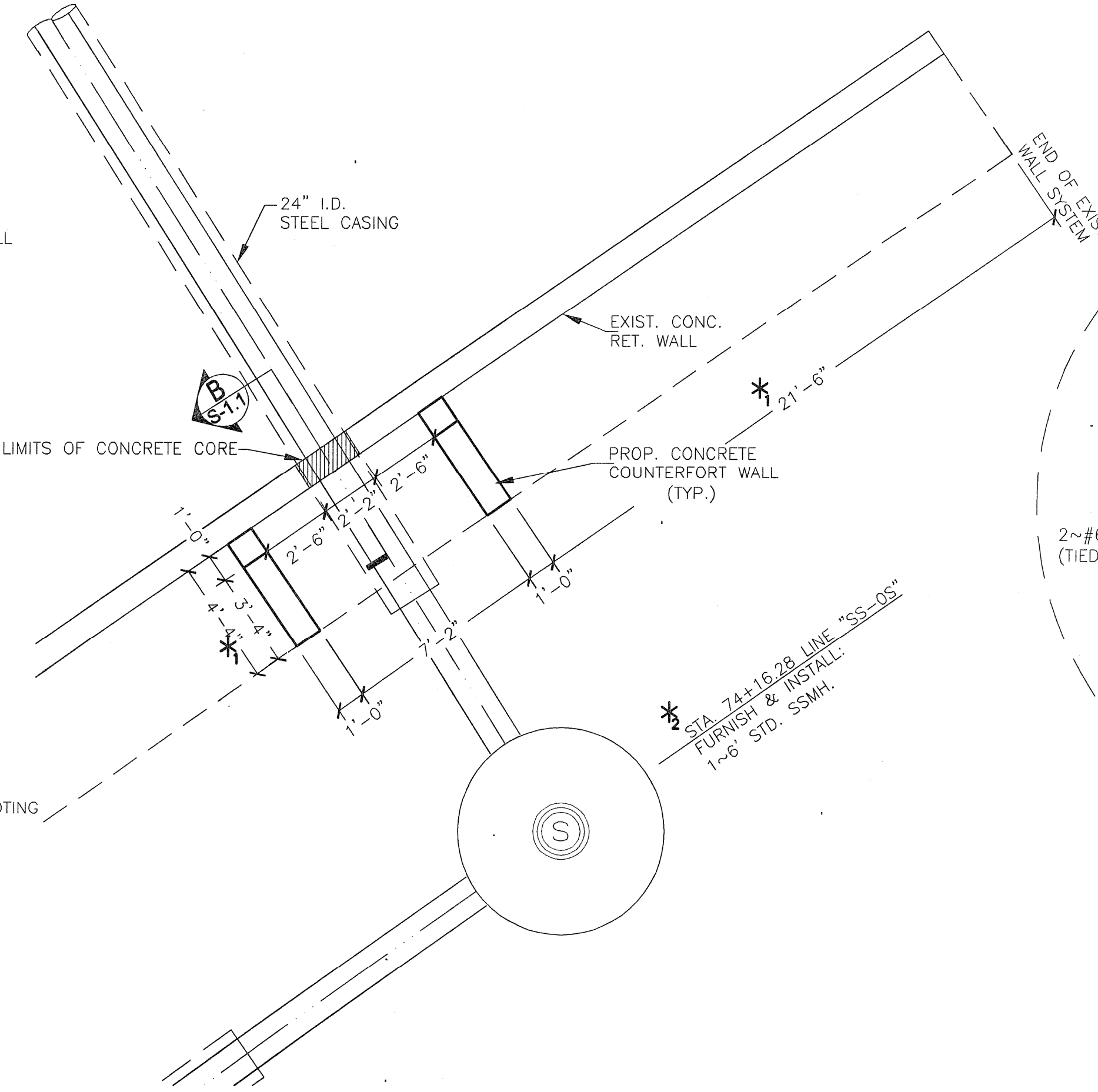
NOTE:
CONTRACTOR TO VERIFY THAT DRILLED BARS DO NOT CONFLICT WITH EXISTING WALL STEEL REINFORCEMENT.

CONTRACTOR SHALL NOTIFY ENGINEER OF ANY DISCREPANCIES AND/OR DIFFERENCES BETWEEN THESE PLAN DOCUMENTS AND ACTUAL FIELD CONDITIONS PRIOR TO CONSTRUCTION.



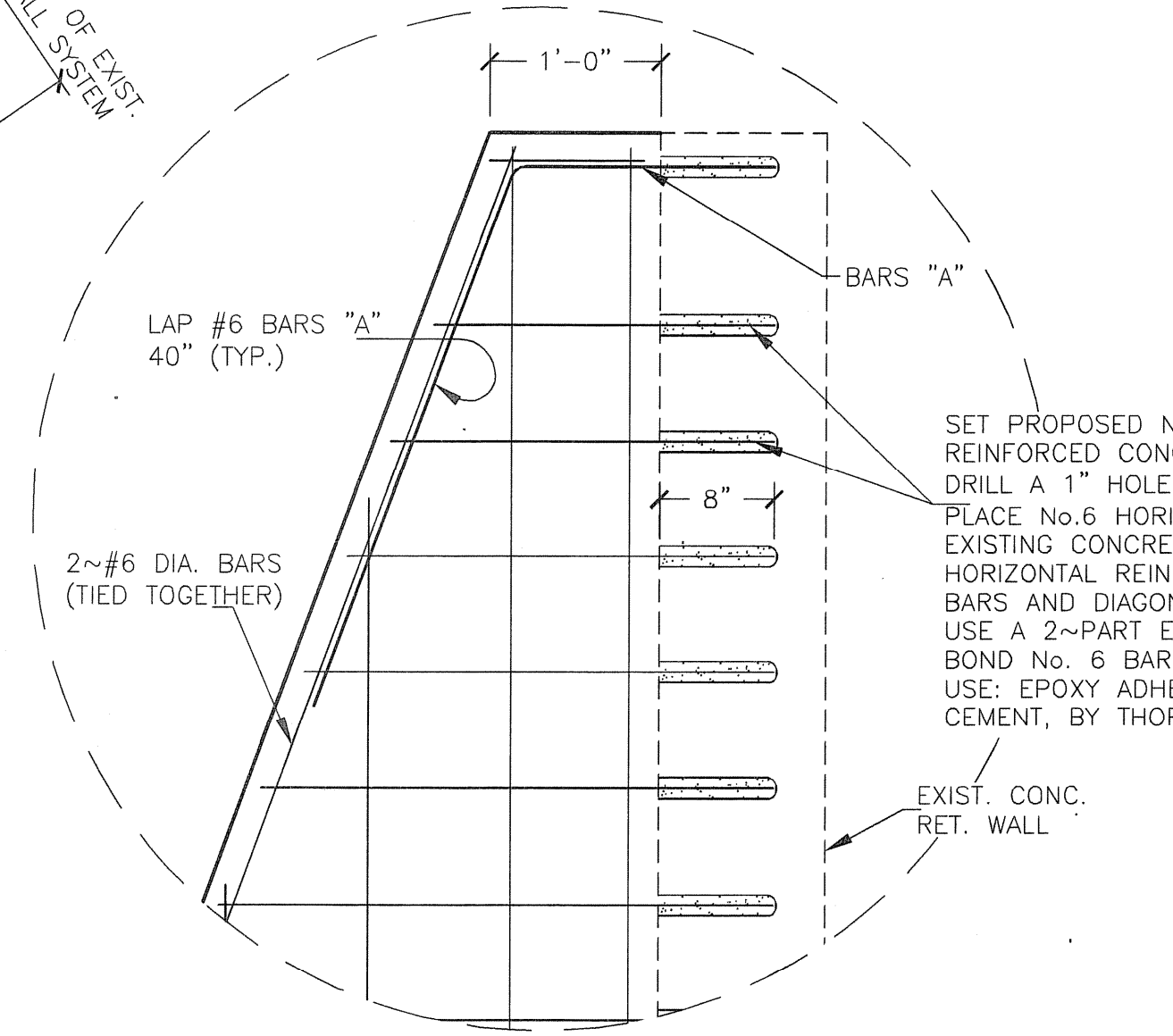
SECTION A

SCALE: 1" = 2'



DETAIL "1"

SCALE: 1" = 2'



DETAIL "2"

SCALE: 1" = 1'

SET PROPOSED No.6 HORIZONTAL BARS INTO THE EXISTING REINFORCED CONCRETE WALL SYSTEM. DRILL A 1" HOLE FOR No.6 HORIZONTAL BARS. PLACE No.6 HORIZONTAL BARS EIGHT (8) INCHES INTO THE EXISTING CONCRETE RETAINING WALL SYSTEM. HORIZONTAL REINFORCING BARS MUST TIE INTO ALL VERTICAL BARS AND DIAGONAL BARS. USE A 2-PART EPOXY MIXTURE OR AN ANCHORING CEMENT TO BOND No. 6 BARS TO THE EXISTING CONCRETE. USE: EPOXY ADHESIVE A-103; OR THOROGRIIP ANCHORING CEMENT, BY THORO SYSTEMS PRODUCTS, OR APPROVED EQUAL.

RECORD OF FINAL DRAWING

THE INFORMATION ON THESE PLANS ARE CONSIDERED TO BE A "RECORD OF FINAL DRAWINGS" IMPROVEMENTS MADE DURING CONSTRUCTION PROVIDED TO THE ENGINEER BY THE CONTRACTOR. UNLESS OTHERWISE NOTED, THE CONSTRUCTION OF THE IMPROVEMENTS ARE IN GENERAL CONFORMANCE WITH THESE PLANS BASED UPON INFORMATION PROVIDED BY THE CONSTRUCTION CONTRACTOR, AND THE RESPONSIBILITY FOR ACCURACY AND COMPLETENESS, BELONGS TO THE CONTRACTOR.

JEA-HYDROTECH HAS NOT VERIFIED THE ACCURACY AND/OR COMPLETENESS OF THIS INFORMATION AND SHALL NOT BE RESPONSIBLE FOR ANY ERRORS OR OMISSIONS THAT MAY BE INCORPORATED AS A RESULT OF ERRONEOUS INFORMATION PROVIDED BY THE CONTRACTOR, OWNER, OR OTHERS. THOSE RELYING ON THIS RECORD DOCUMENT ARE ADVISED TO OBTAIN INDEPENDENT VERIFICATION OF ITS ACCURACY.

JEA-HYDROTECH ENGINEERING, INC.
BY: *[Signature]*
E.J. GUTIERREZ, P.E.

DATE: 11.25.2020

JEA HydroTech Engineering, Inc.
Engineers • Planners • Hydrologists
Athletic Facilities
1725 T.L. Townsend Drive
City of Rockwall, Rockwall County, Texas
75087
Phone: 972.431.8000
www.jea-hydro.com

REVISIONS:
04/06/2020
Revised sheet number

DATE:	April 2020
DRAWN BY:	
DESIGN BY:	
REVIEWED BY:	
PLANS:	SUP

STATE OF TEXAS
E.J. GUTIERREZ
76967
REGISTERED PROFESSIONAL ENGINEER
ENGINEER'S SEAL
The seal appearing on this document was expiring on 04/05/2020
E.J. GUTIERREZ, P.E. 76967 ON 04/05/2020
Without proper notification to the responsible engineer is an offense under the Texas Engineering Practice Act.

STRUCTURAL MODIFICATIONS TO EXISTING REINF. CONC. RETAINING WALL
1725 T.L. TOWNSEND DRIVE
CITY OF ROCKWALL, ROCKWALL COUNTY, TEXAS

PROJECT No.:
SHEET:
S-2.1

LAYOUT: S-2.1 PLOTTED: Wednesday, November 25, 2020 11:05:54 AM BY: CARLOSI, BT SCALE: 1/80 SAVED: 11/25/2020 11:04AM BY: CARLOS. M:\227000 G&A\BUFFALO CREEK\JEA-PROJECT\RECORD OF FINAL DRAWING\JEA-PLAN.DWG