

REVISIONS:
 A/03/13/2020
 Revised dimensions,
 add structural details,
 add notes.
 A/04/07/2020
 Revised structural details

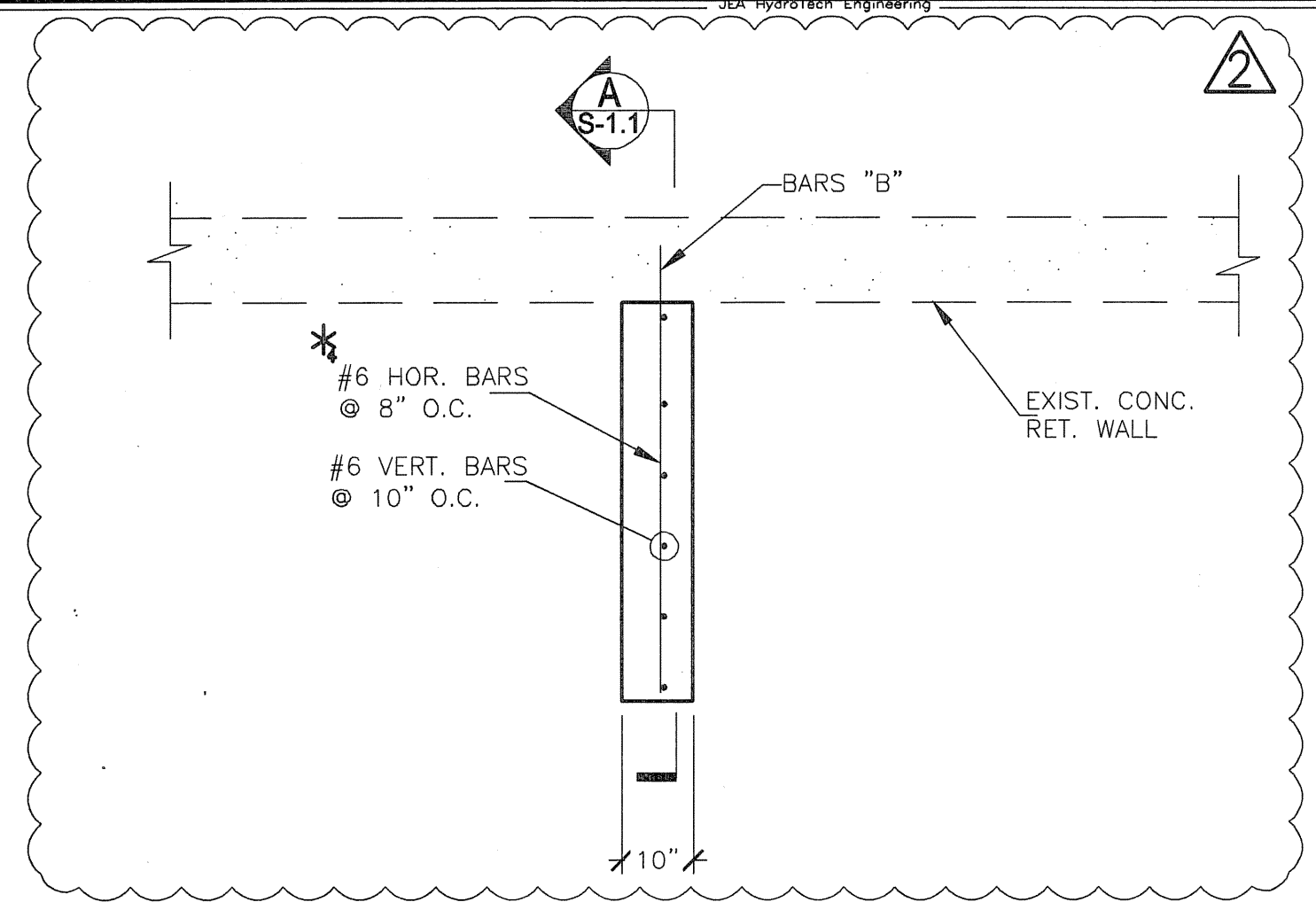
DATE: MARCH 2020
 DRAWN BY: CL
 DESIGN BY: EG / AZ
 REVIEWED BY: AZ
 PLANS: PERMIT



STRUCTURAL MODIFICATIONS TO EXISTING
 REINF. CONC. RETAINING WALL - MIMS ROAD
 CITY OF ROCKWALL, ROCKWALL COUNTY, TEXAS

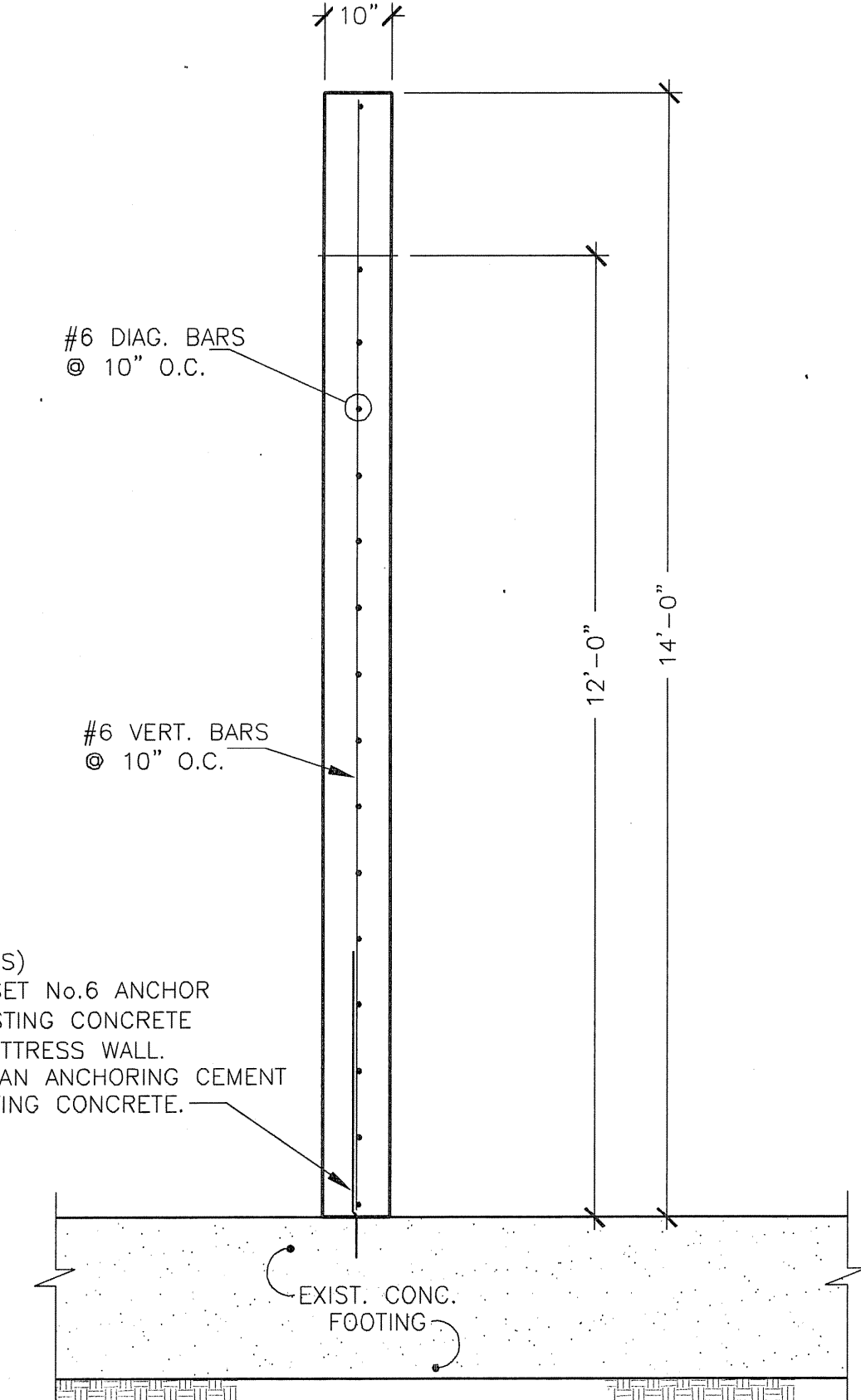
PROJECT No.:
 227023
 SHEET:

S-1.1



TOP VIEW

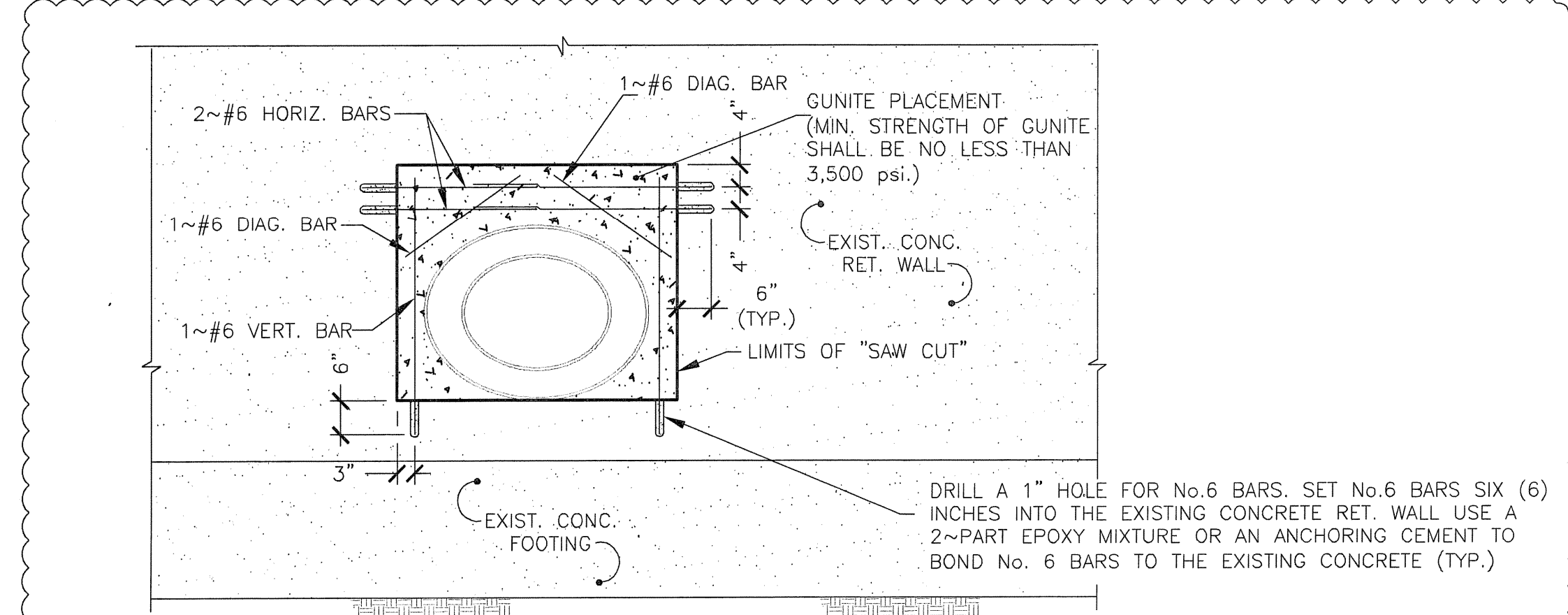
SCALE: 1"=2'



ELEVATION VIEW

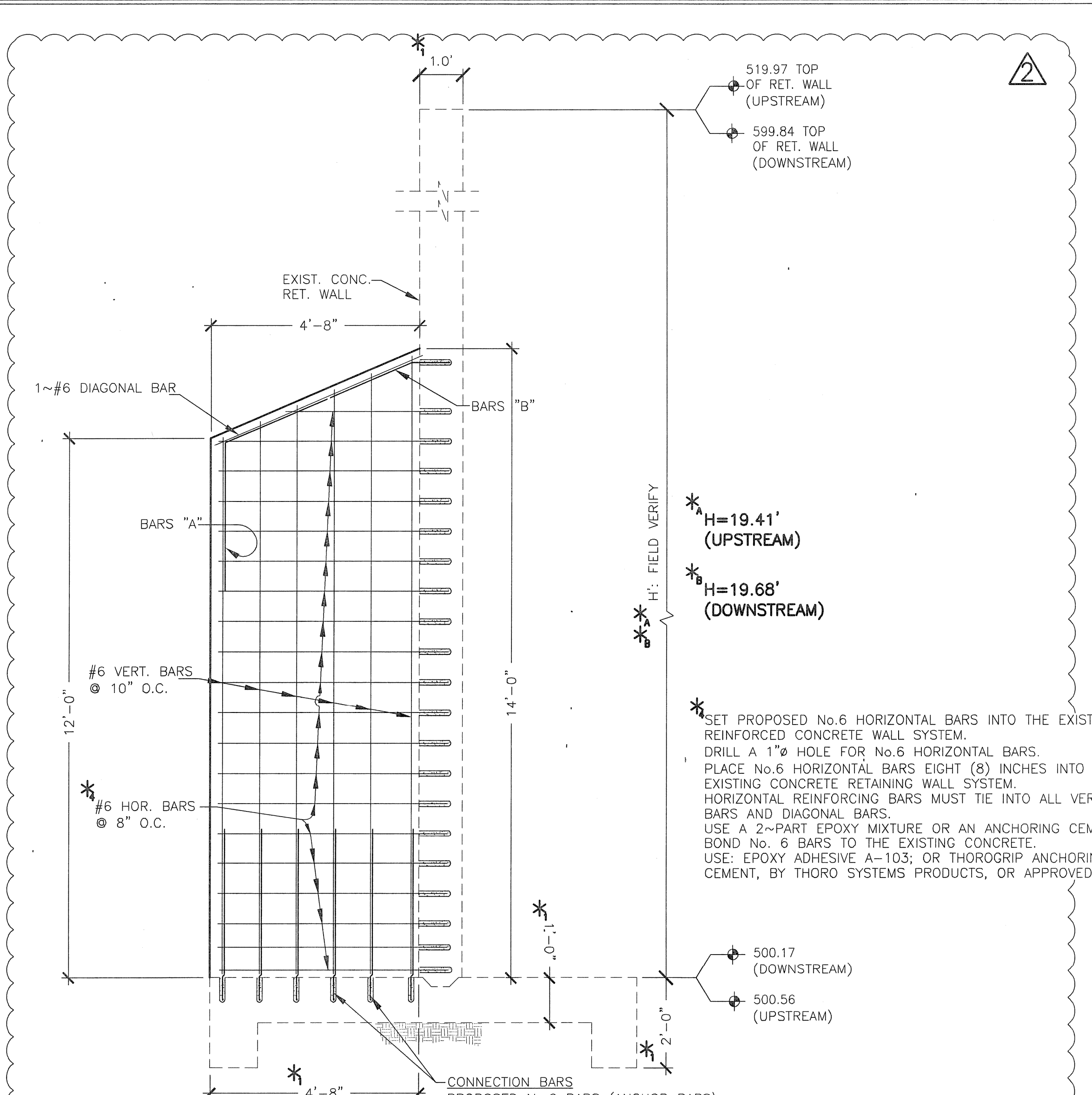
SCALE: 1"=2'

BUTTRESS STRUCTURAL DETAILS



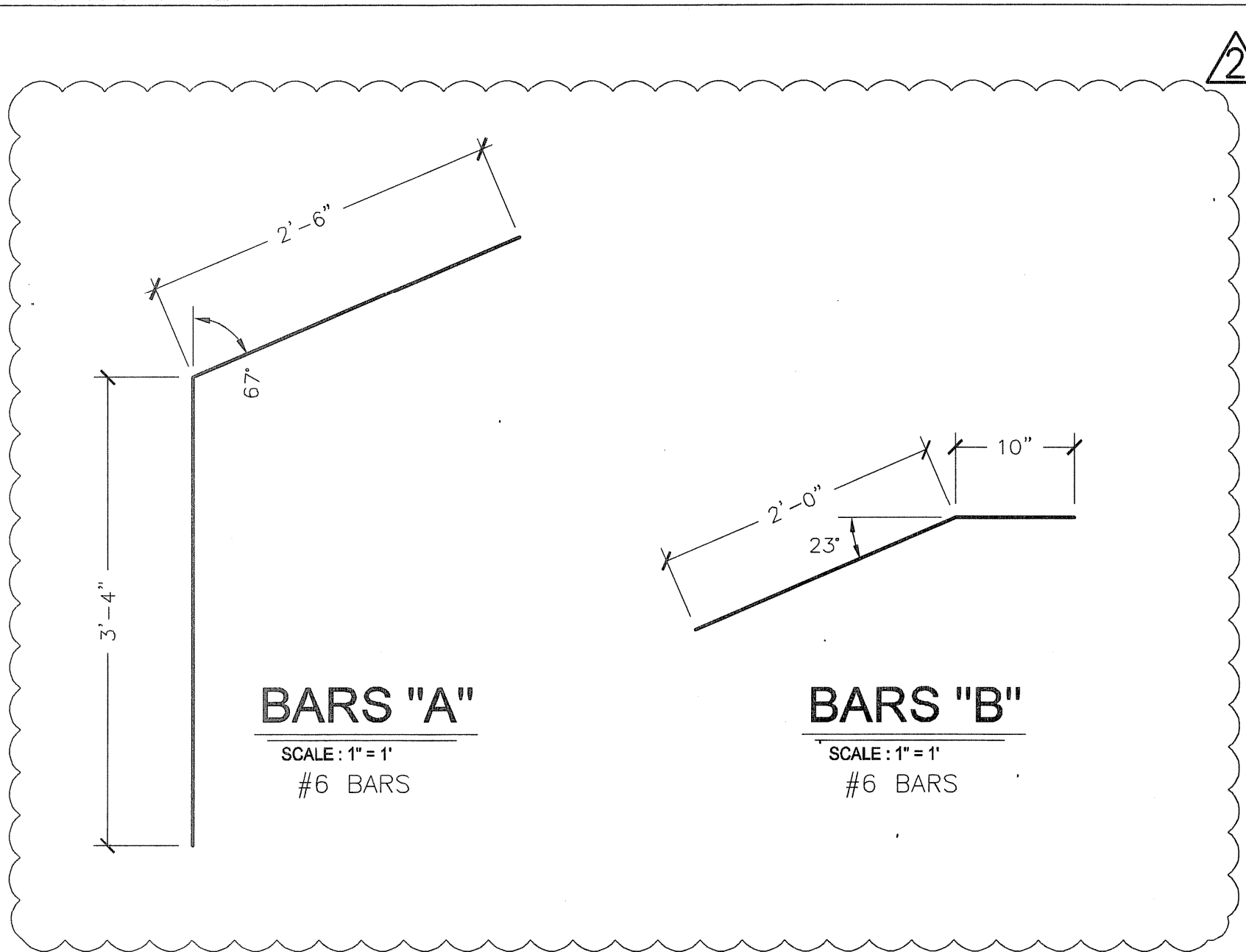
FRONT ELEVATION

PROP. OPENING IN EXIST. CONC. RET. WALL



SECTION A

SCALE: 1"=2'



BARS "A"

SCALE: 1"=1'
 #6 BARS

BARS "B"

SCALE: 1"=1'
 #6 BARS

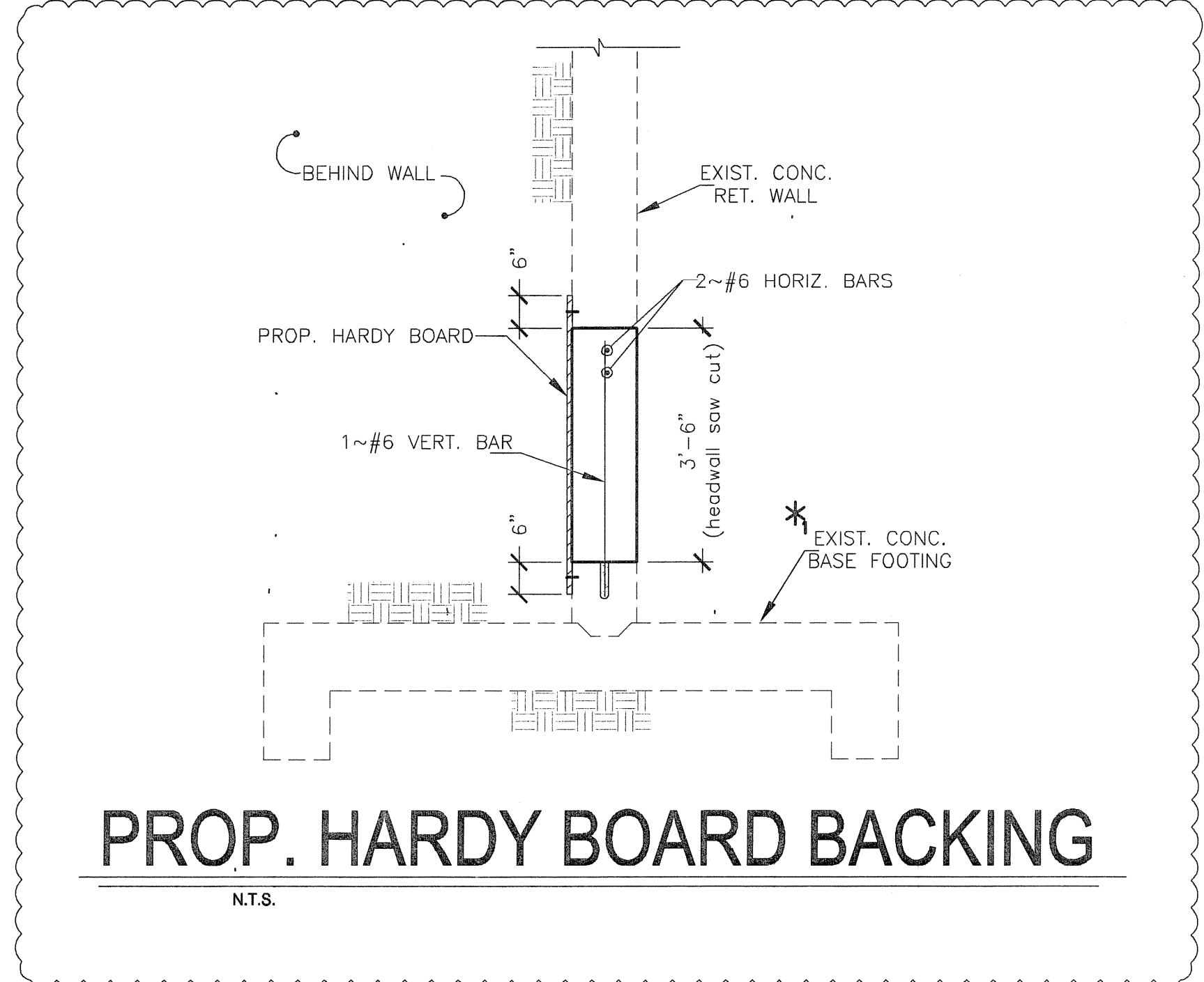
Channel Chart

SIZE	LBS/FT	WEB	FLANGE
C3x4.1	4.1	0.17	1.41
C3x5	5	0.258	1.488
C3x6	6	0.358	1.566
C4x5.4	5.4	0.164	1.584
C4x6.25	6.25	0.247	1.647
C4x7.25	7.25	0.321	1.721
C5x6.7	6.7	0.19	1.75
C5x8	8	0.325	1.885
C6x8.2	8.2	0.2	1.92
C6x10.5	10.5	0.314	2.034
C6x13	13	0.437	2.157
C7x9.8	9.8	0.21	2.09
C7x12.25	12.25	0.314	2.194
C7x14.75	14.75	0.419	2.289
C8x11.5	11.5	0.22	2.28
C8x13.75	13.75	0.303	2.343
C8x16.75	16.75	0.467	2.527
C8x13.4	13.4	0.233	2.453

* USE

NOTE:
 CONTRACTOR TO VERIFY THAT DRILLED BAR "B" AND HORIZ. BARS DO NOT CONFLICT WITH EXISTING WALL STEEL REINFORCEMENT.
 CONTRACTOR SHALL PROVIDE & INSTALL A HARDY BOARD BACKING, AS SHOWN HEREIN, AND SHALL BE SECURED TO EXISTING CONC. WALL SYSTEM.
 CONTRACTOR SHALL APPLY HIGH STRENGTH GUNITE TO SEAL OPENING AFTER INSTALLING STEEL ENCASEMENT.
 CONTRACTOR SHALL "CUT" ALL EXISTING RE-BAR SO THAT NO STEEL RE-BAR IS EXPOSED TO THE ELEMENTS.

* VERIFY DIMENSION PRIOR TO CONSTRUCTION
 * REF: McADAMS SS PROFILE, SHT. C5
 CONTRACTOR SHALL VERIFY LOCATION OF RETAINING WALL OPENING PRIOR TO CONSTRUCTION; AND, SHALL VERIFY CASING AND SS PVC DIMENSIONS.



PROP. HARDY BOARD BACKING

N.T.S.

RECORD OF FINAL DRAWING
 THE INFORMATION ON THESE PLANS ARE CONSIDERED TO BE A "RECORD OF FINAL DRAWINGS" IMPROVEMENTS MADE DURING CONSTRUCTION PROVIDED TO THE ENGINEER BY THE CONTRACTOR. UNLESS OTHERWISE NOTED, THE CONSTRUCTION OF THE IMPROVEMENTS ARE IN GENERAL CONFORMANCE WITH THESE PLANS BASED UPON INFORMATION PROVIDED BY THE CONSTRUCTION CONTRACTOR, AND THE RESPONSIBILITY FOR ACCURACY AND COMPLETENESS, BELONGS TO THE CONTRACTOR.
 JEA-HYDROTECH HAS NOT VERIFIED THE ACCURACY AND/OR COMPLETENESS OF THIS INFORMATION AND SHALL NOT BE RESPONSIBLE FOR ANY ERRORS OR OMISSIONS THAT MAY BE INCORPORATED AS A RESULT OR ERRONEOUS INFORMATION PROVIDED BY THE CONTRACTOR, OWNER, OR OTHERS. THOSE RELYING ON THIS RECORD DOCUMENT ARE ADVISED TO OBTAIN INDEPENDENT VERIFICATION OF ITS ACCURACY.
 JEA-HYDROTECH ENGINEERING, INC.
 BY: E. J. GUTIERREZ, P.E. DATE: 11.25.2020

AMENDMENT "A"