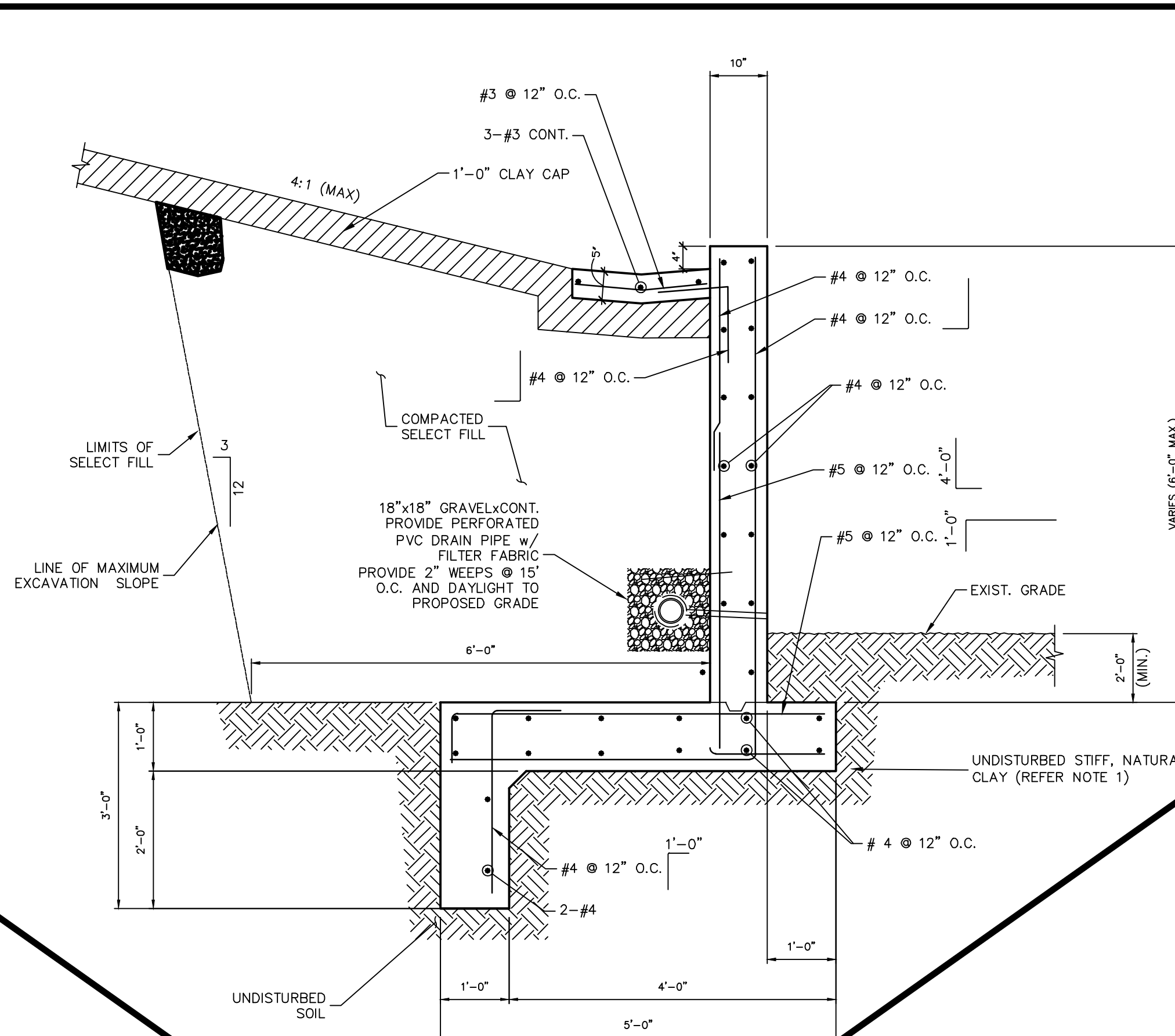
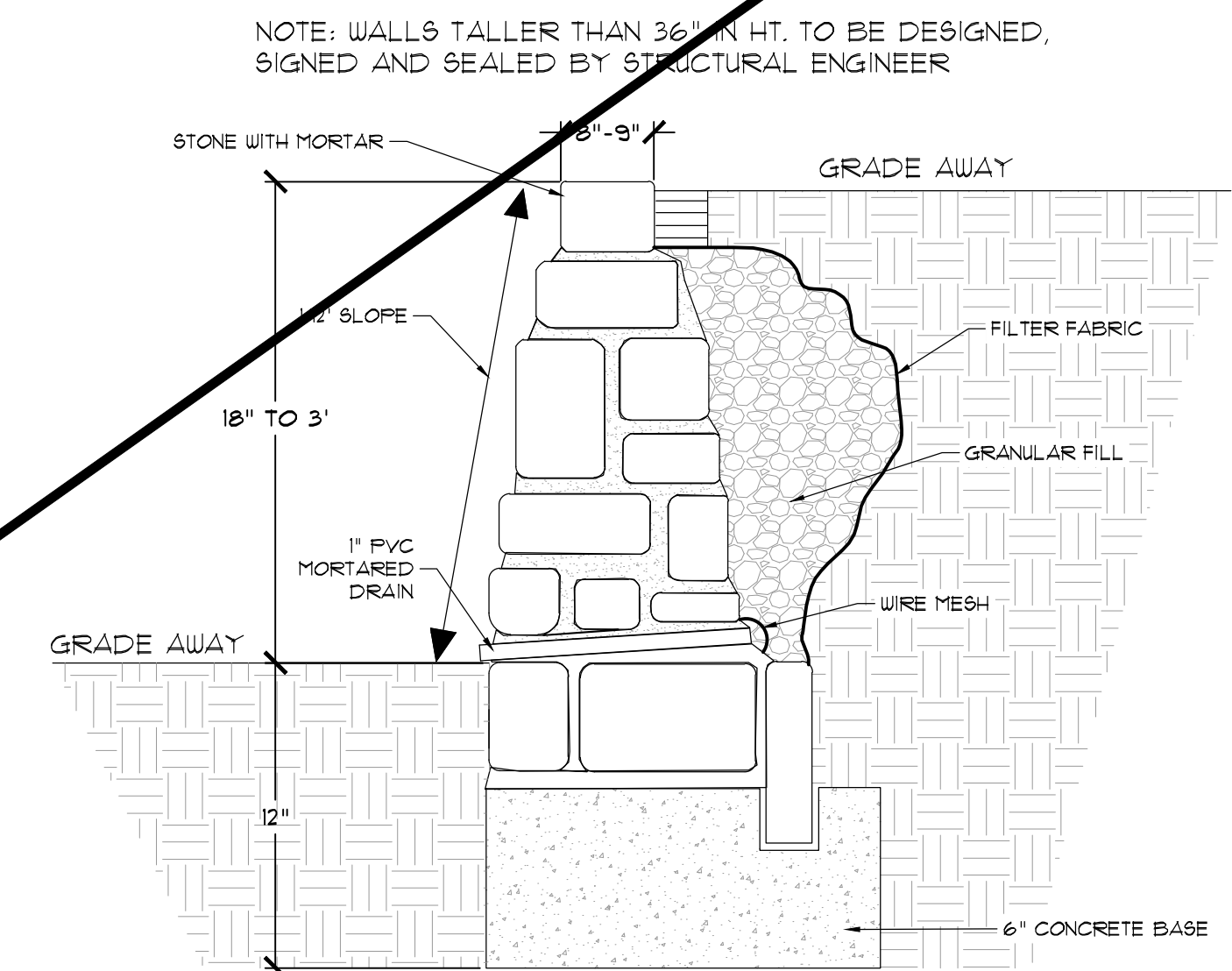


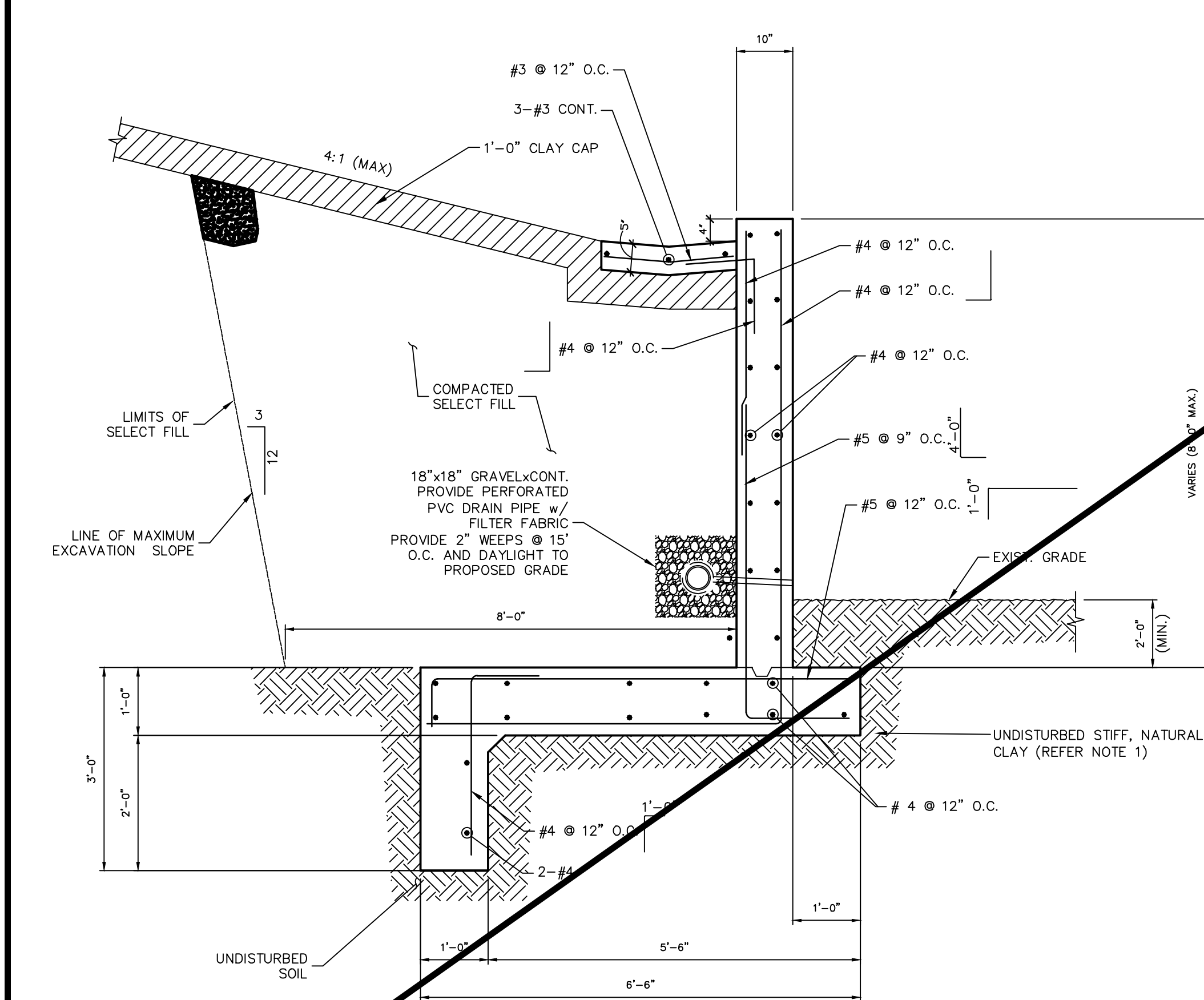
**01** RETAINING WALL SECTION w/ TL-4  
SCALE: NTS



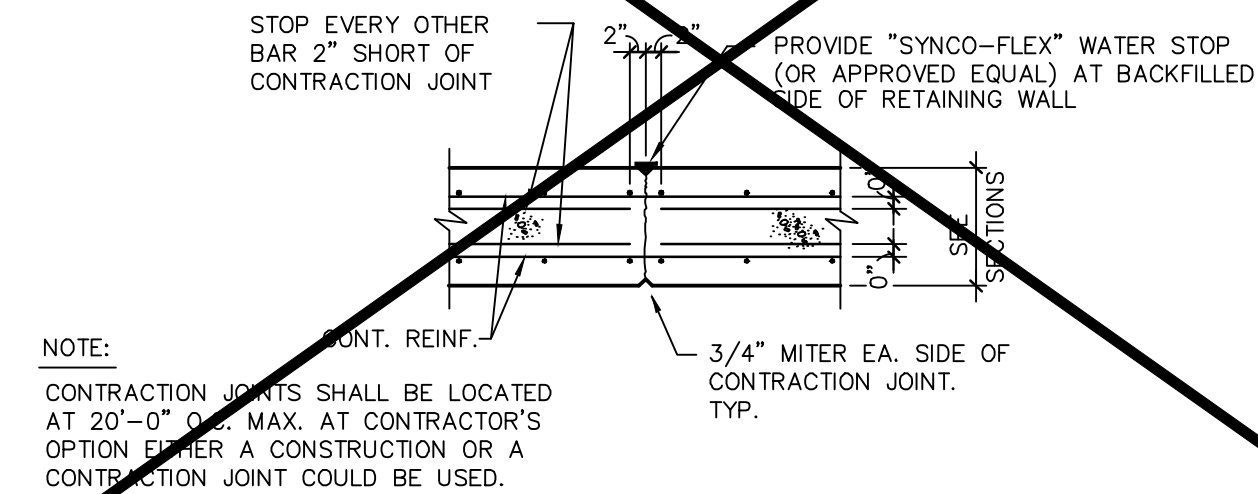
**02** RETAINING WALL SECTION (0 THRU 6'-0")  
SCALE: NTS



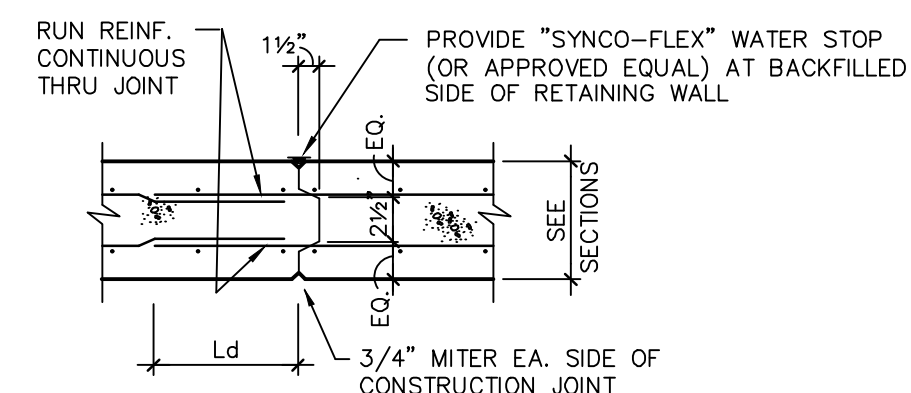
**03** STONE RETAINING WALL DETAIL (0 THRU 36")  
SCALE: NTS



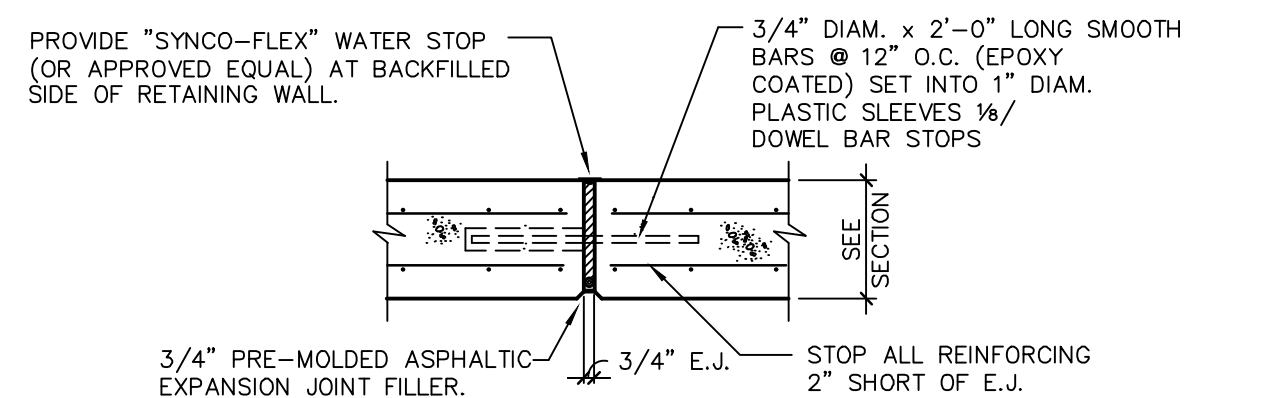
**04** RETAINING WALL SECTION (6'-0" THRU 8'-0")  
SCALE: NTS



**CONTRACTION JOINT**



**CONSTRUCTION JOINT**



**EXPANSION JOINT**

**TYPICAL JOINT DETAILS**  
NO SCALE

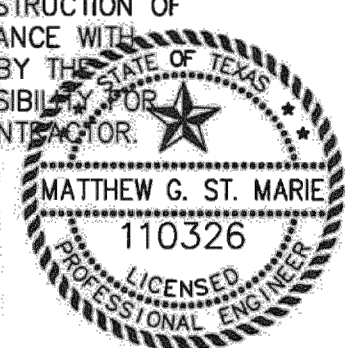
**GENERAL NOTES**

- IF STIFF/NATURAL CLAYS ARE NOT PRESENT, THE CONTRACTOR SHALL NOTIFY THE ENGINEER OF RECORD AND GEOTECHNICAL ENGINEER. UNDISTURBED SOIL SHALL BE CAPABLE OF SUPPORTING 3000% $\pm$ 4%.
- ALL WALLS TO BE ROCK OR STONE FACED.

**AS-BUILT RECORD DRAWING**

THE INFORMATION ON THESE PLANS HAS BEEN REVISED TO REFLECT CHANGES TO PUBLIC IMPROVEMENTS MADE DURING CONSTRUCTION. UNLESS OTHERWISE NOTED, THE CONSTRUCTION OF THE PUBLIC IMPROVEMENTS IS IN GENERAL CONFORMANCE WITH THESE PLANS, BASED UPON INFORMATION PROVIDED BY THE CONTRACTOR AND FIELD VERIFICATIONS. THE RESPONSIBILITY FOR ACCURACY AND COMPLETENESS BELONGS TO THE CONTRACTOR.

*Matthew G. St. Marie*  
THE JOHN R. MCADAMS COMPANY, INC.  
Date: 09/25/2023



MCADAMS  
TBPE 18762

Drawn By: CMK
Date: 12/30/2020
Scale: N.T.S.
Revisions:
02/11/2021
03/11/2021
05/07/2021
07/12/2021
09/25/2023 - AS-BUILTS

OWNER/DEVELOPER  
SWBC ROCKWALL LP  
6949 SHERRY LANE, SUITE 750  
DALLAS, TEXAS 75225  
Ph. (214) 987-0700  
Contact: Spencer Byington

**WBC20000**

**C8.06**

DETAILS ON THIS PAGE UNUSED IN LIEU OF APPROVED EQUAL FROM CONTRACTOR.

**SWBC ROCKWALL PHASE II**  
Lot 1, Block A  
**SWBC ROCKWALL ADDITION, PHASE II**  
21275 Acres  
in the  
J.M. ALLEN SURVEY ABSTRACT NO. NO. 2  
CITY OF ROCKWALL,  
ROCKWALL COUNTY, TEXAS

**STRUCTURAL DETAILS**

**MCADAMS**  
The John R. McAdams Company, Inc.  
111 Hillside Drive  
Lewisville, Texas 75057  
972.435.9712  
201 Country View Drive  
Rockwall, Texas 75087  
940.240.1012  
TBPE: 18762 TBPLS: 10184440  
www.mcadams.com

**SWBC ROCKWALL PHASE II**