

RECORD DRAWINGS:
 IT WAS THE INTENT THAT THE IMPROVEMENTS SHOWN BE CONSTRUCTED ACCORDING TO THESE PLANS AS APPROVED BY THE CITY. THE LINES AND GRADES WERE SET ON THE GROUND FOR CONSTRUCTION. ACCORDING TO SAID PLANS, THE CITY INSPECTED THE CONSTRUCTION. THE ENGINEER DID NOT VERIFY LINES OR GRADES AFTER CONSTRUCTION. WE ARE NOT AWARE OF ANY CHANGES OR REVISIONS TO THESE PLANS DURING CONSTRUCTION OTHER THAN THOSE SHOWN.

RANDALL P. POGUE, P.E. DATE: FEBRUARY 25, 2008
 TX LIC. NO. 84780

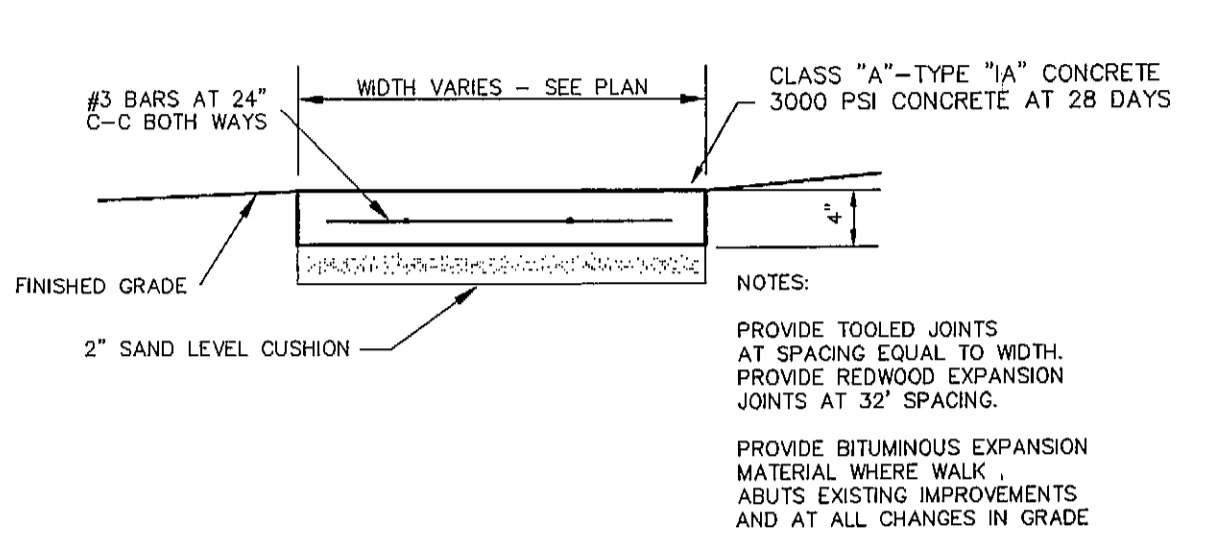
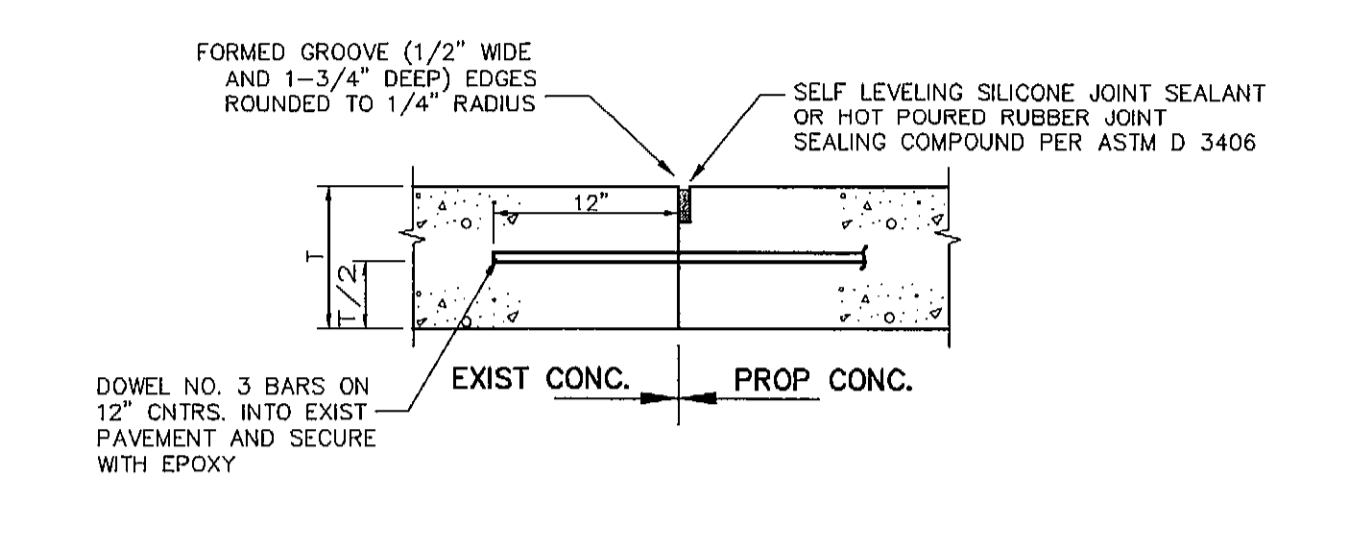
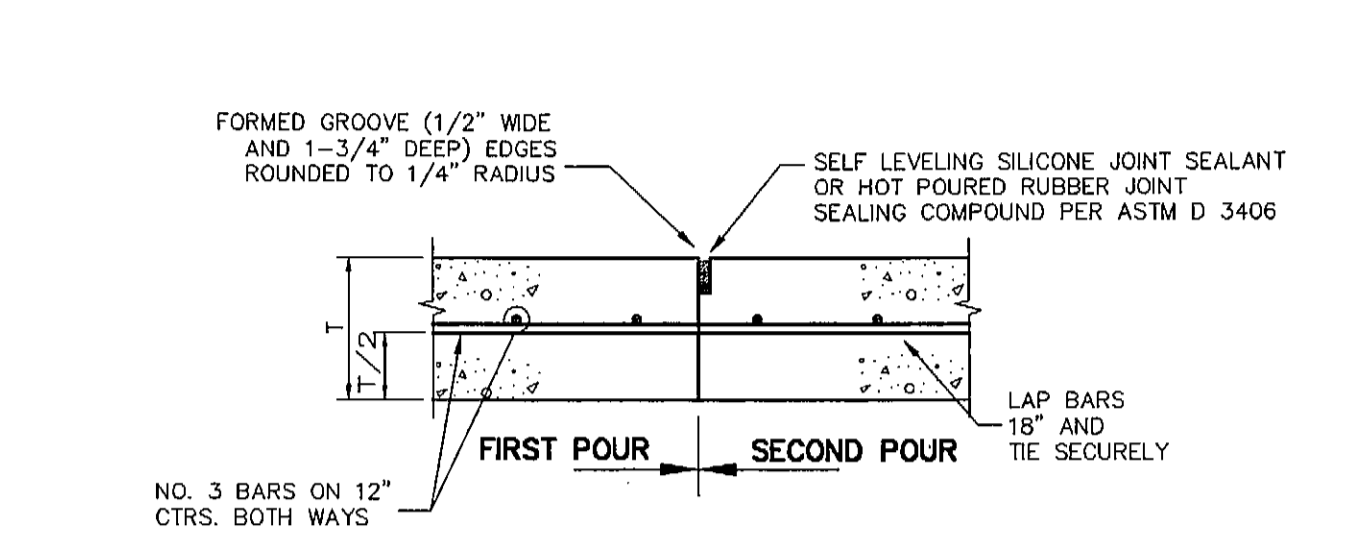
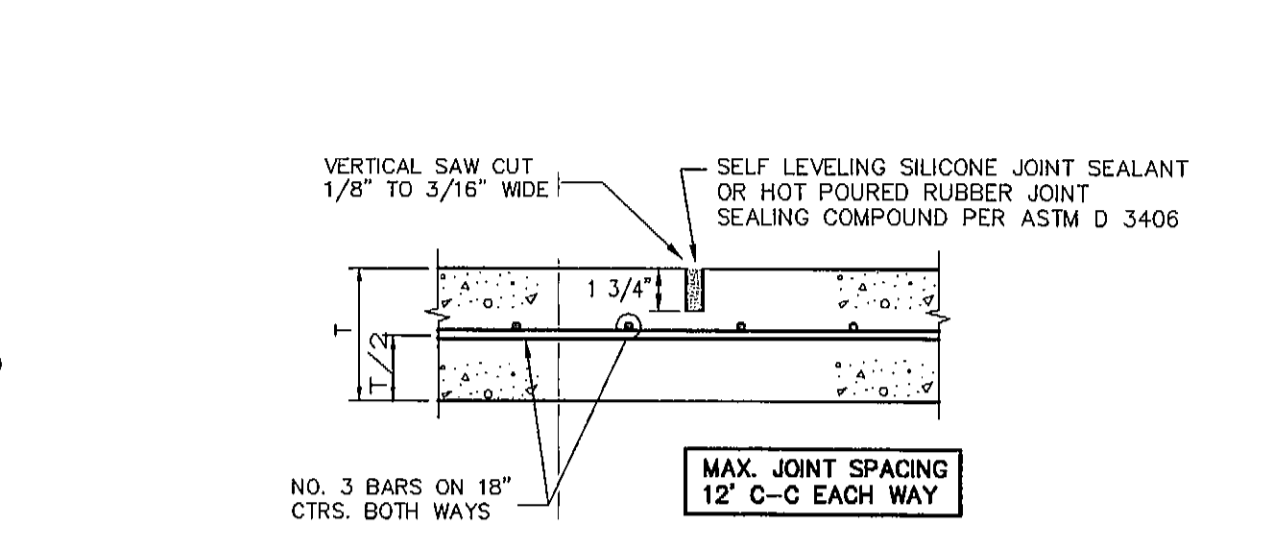
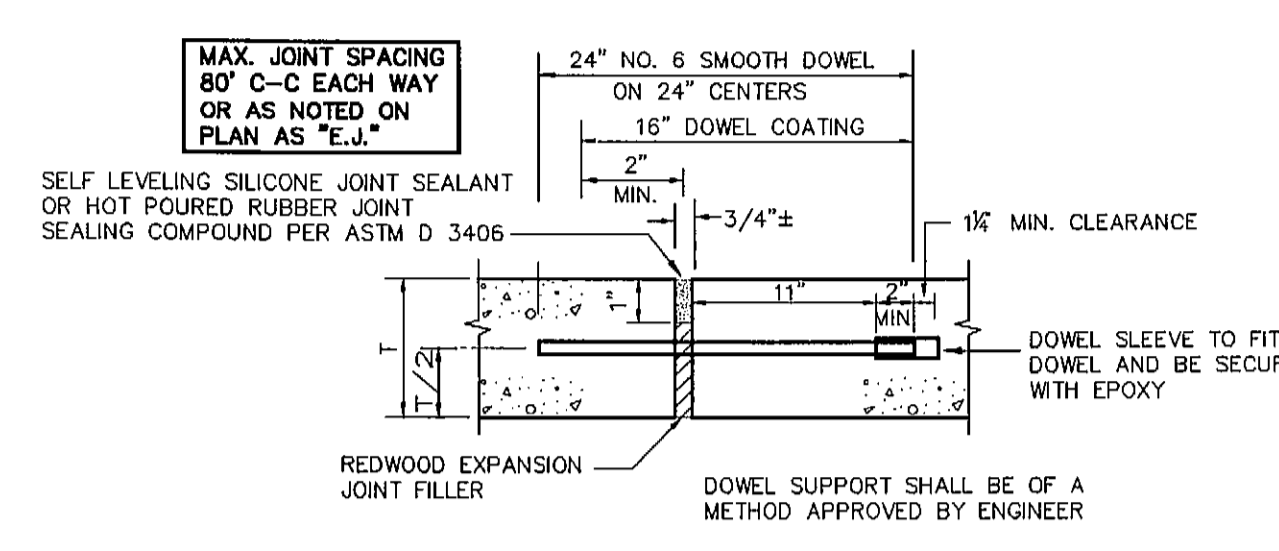
01 C1.02 PAVEMENT SECTION NOT TO SCALE

02 C1.02 CURB W/WALL NOT TO SCALE

03 C1.02 CONCRETE CURB NOT TO SCALE

04 C1.02 STREET HEADER NOT TO SCALE

05 C1.02 NOT USED NOT TO SCALE



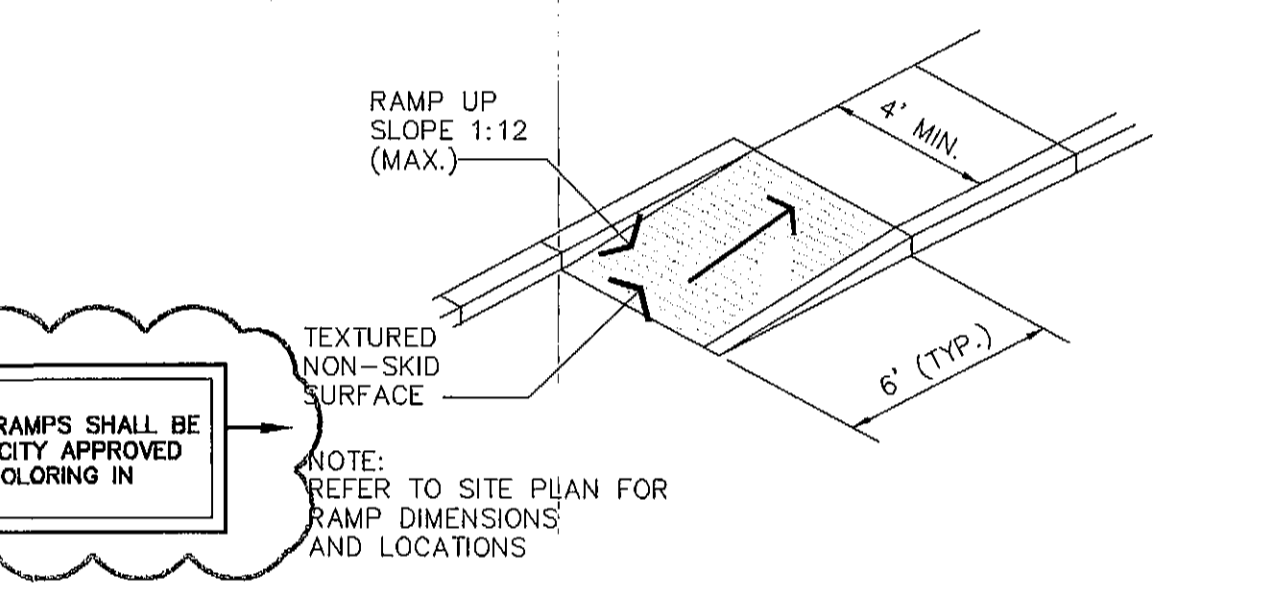
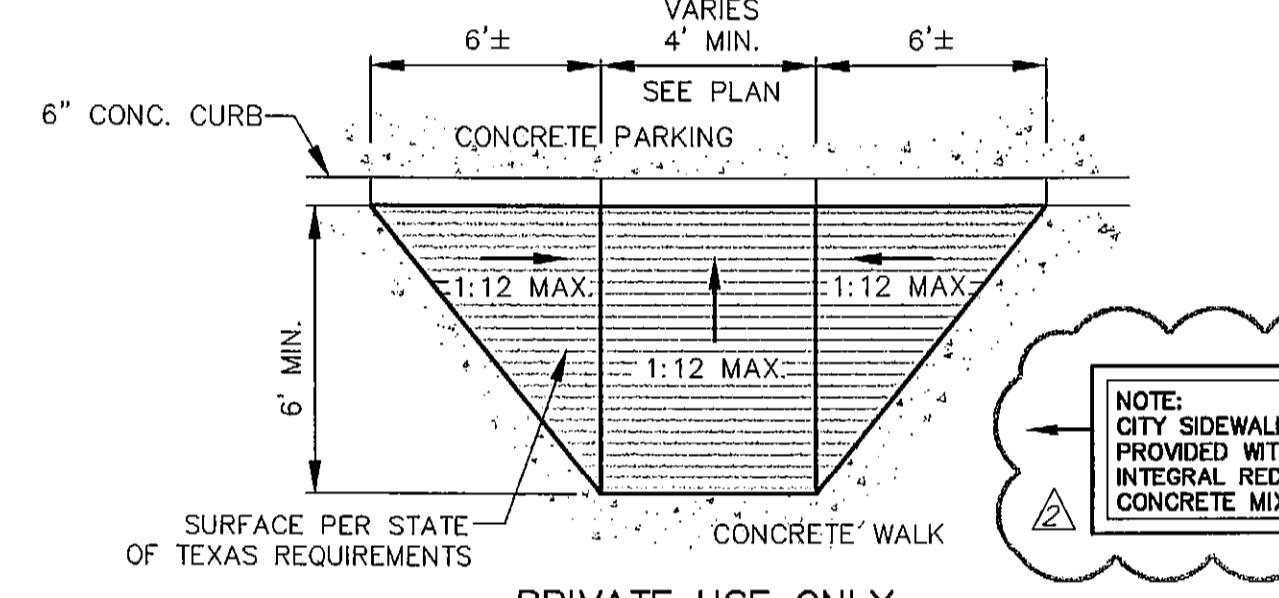
06 C1.02 EXPANSION JOINT NOT TO SCALE

07 C1.02 SAWED DUMMY JOINT NOT TO SCALE

08 C1.02 CONSTRUCTION JOINT NOT TO SCALE

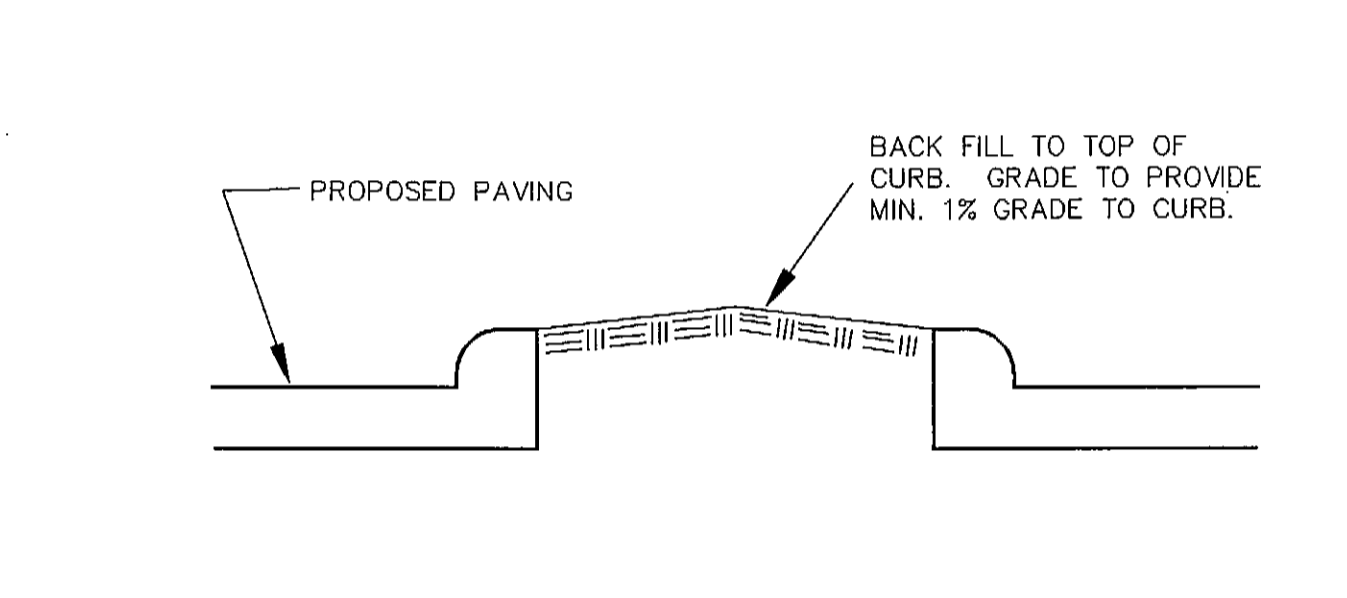
09 C1.02 PAVEMENT CONNECTION NOT TO SCALE

10 C1.02 CONCRETE SIDEWALK NOT TO SCALE

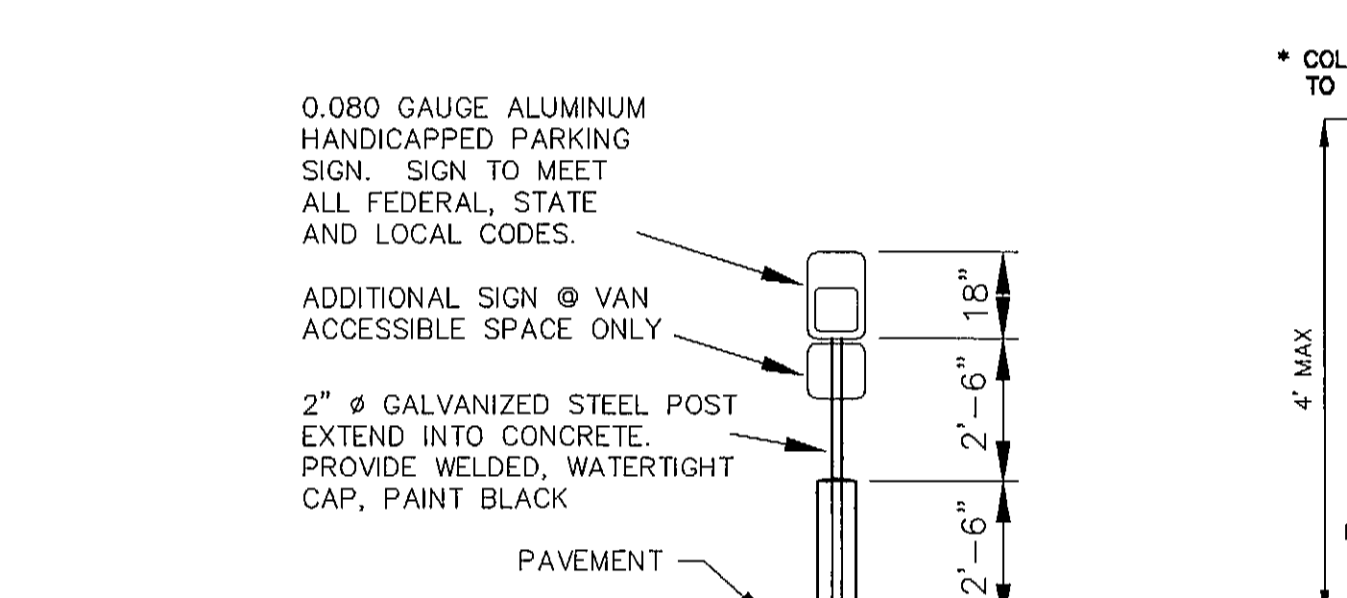


11 C1.02 BARRIER FREE RAMP NOT TO SCALE

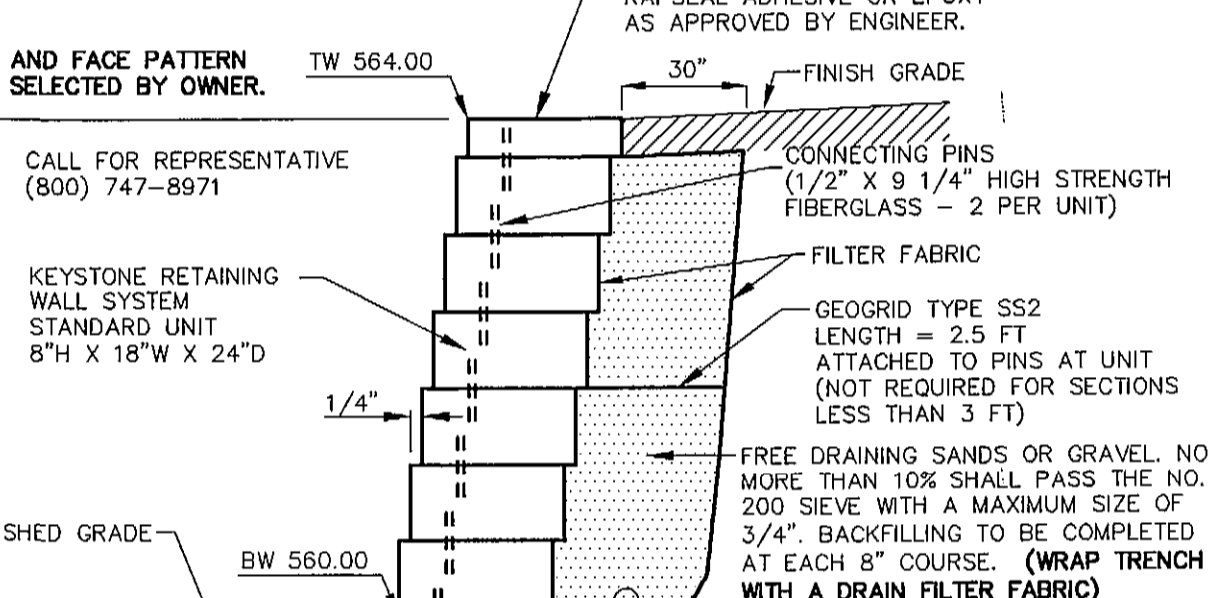
12 C1.02 BARRIER FREE RAMP #2 NOT TO SCALE



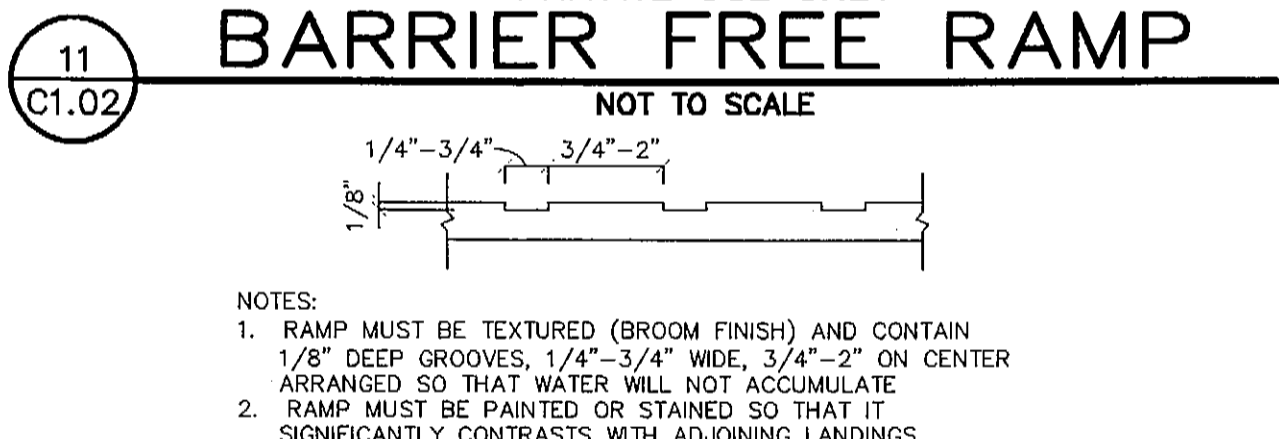
13 C1.02 ISLAND BACK FILL NOT TO SCALE



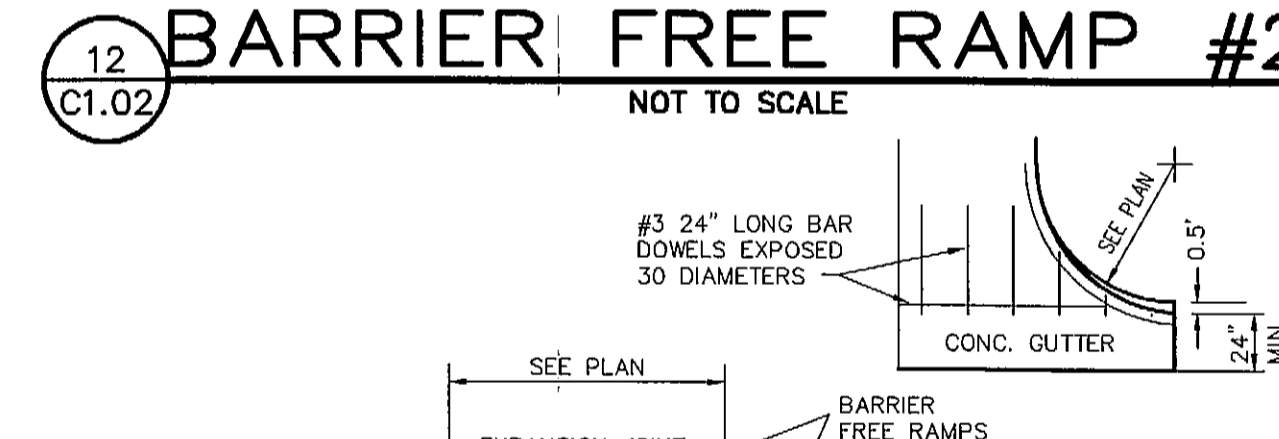
14 C1.02 HANDICAPPED SIGN NOT TO SCALE



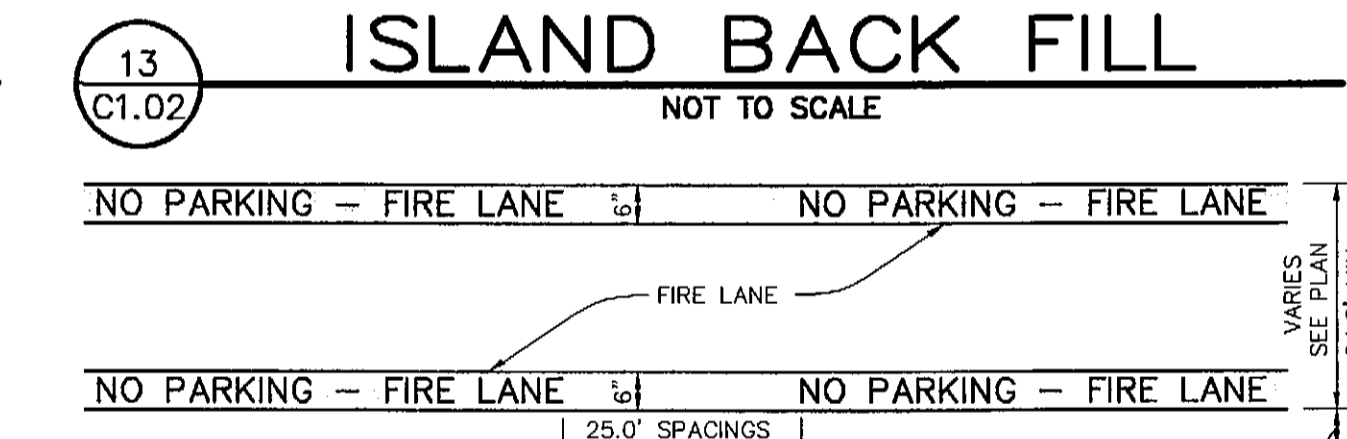
15 C1.02 TYPICAL KEYSTONE RETAINING WALL DETAIL NOT TO SCALE



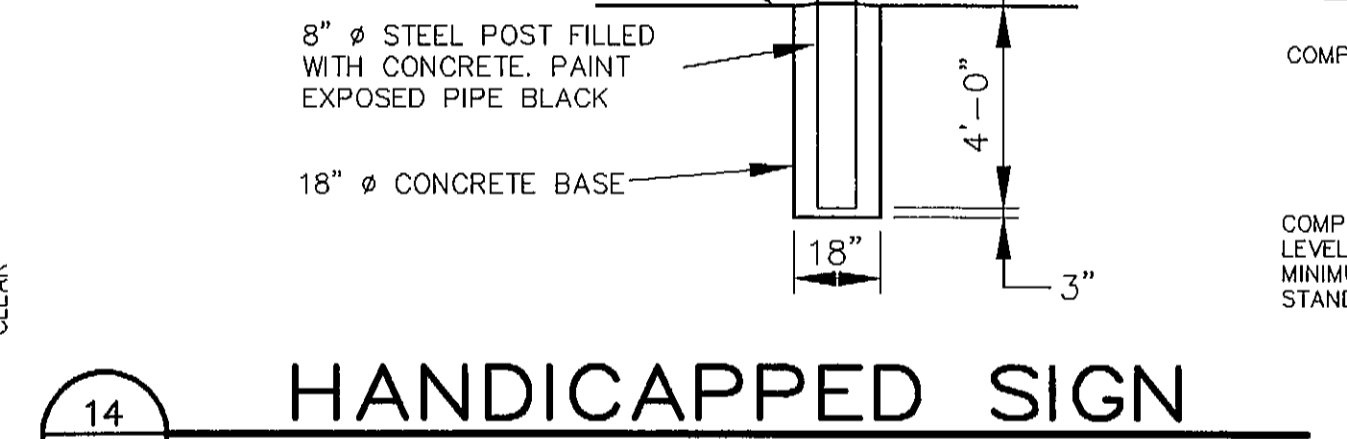
16 C1.02 RAMP DETAIL NOT TO SCALE



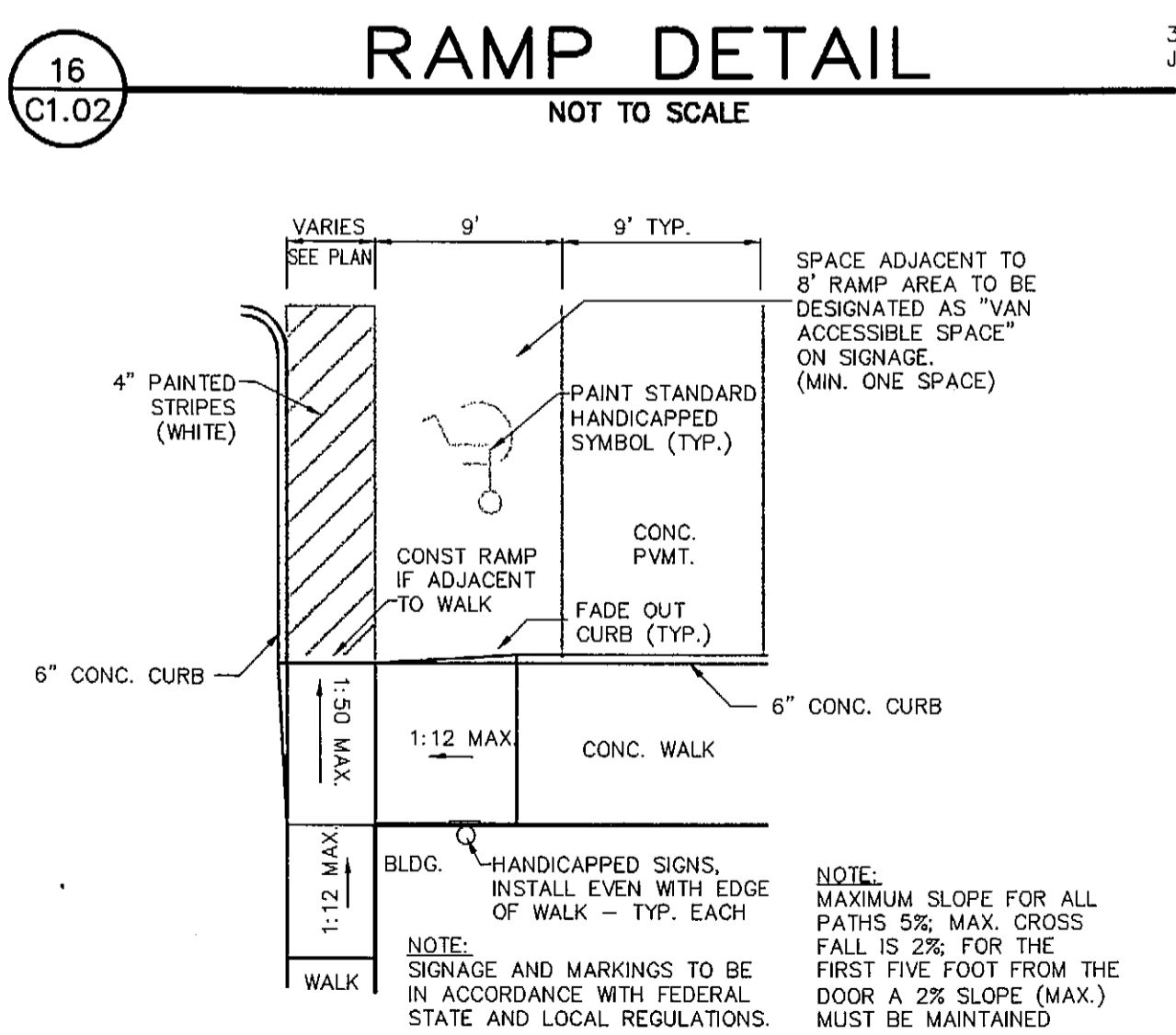
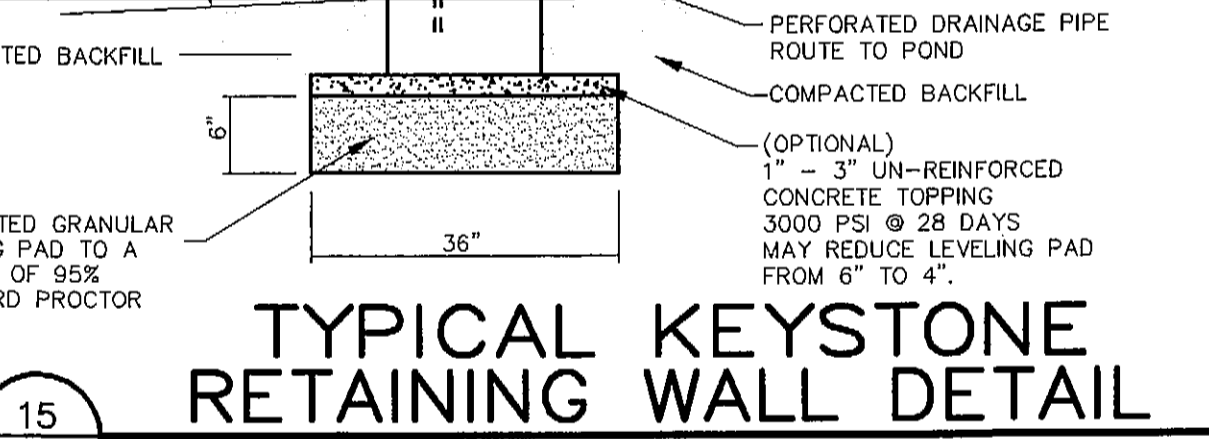
18 C1.02 DRIVEWAY APPROACH NOT TO SCALE



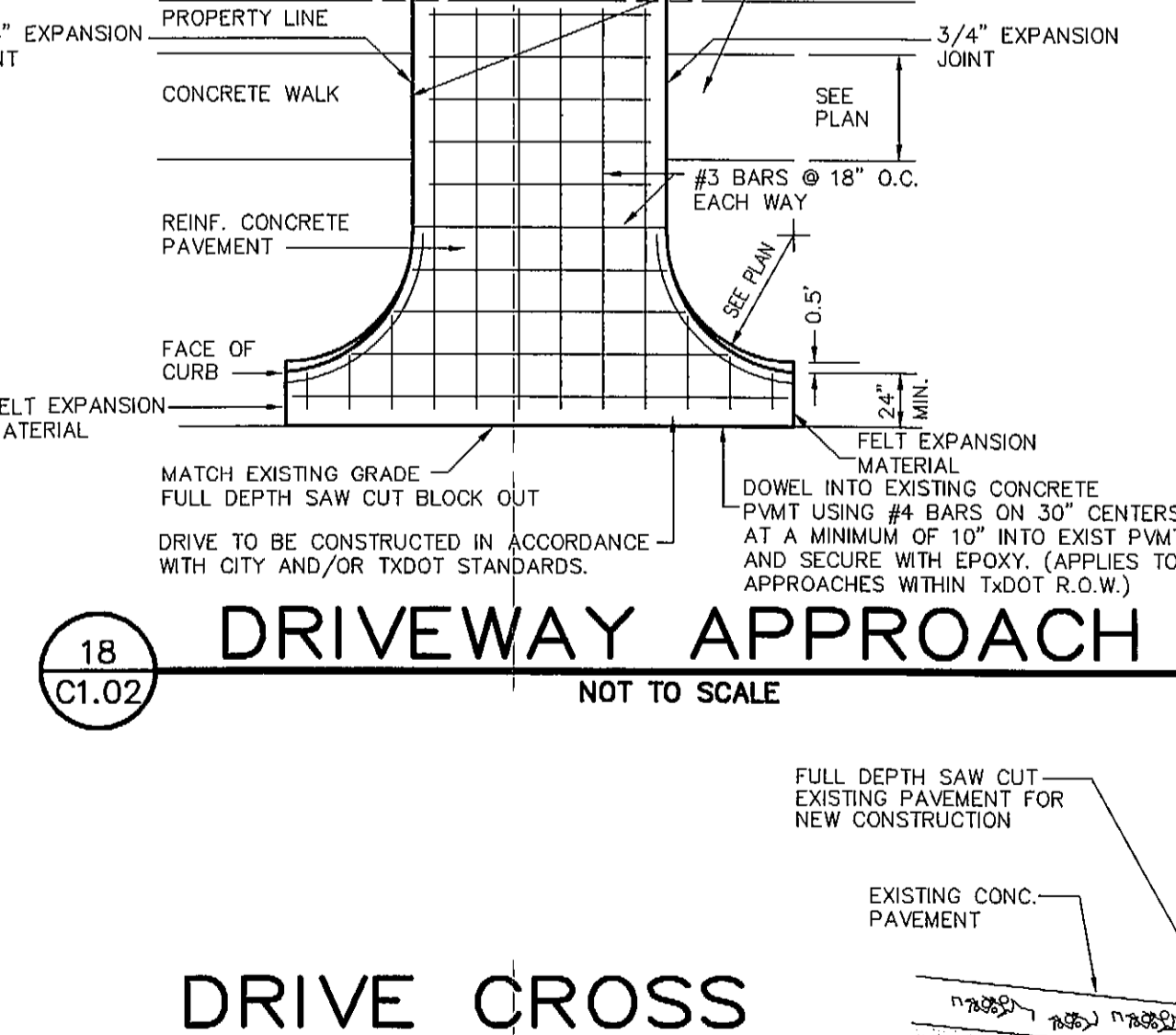
19 C1.02 FIRE LANE STRIPING NOT TO SCALE



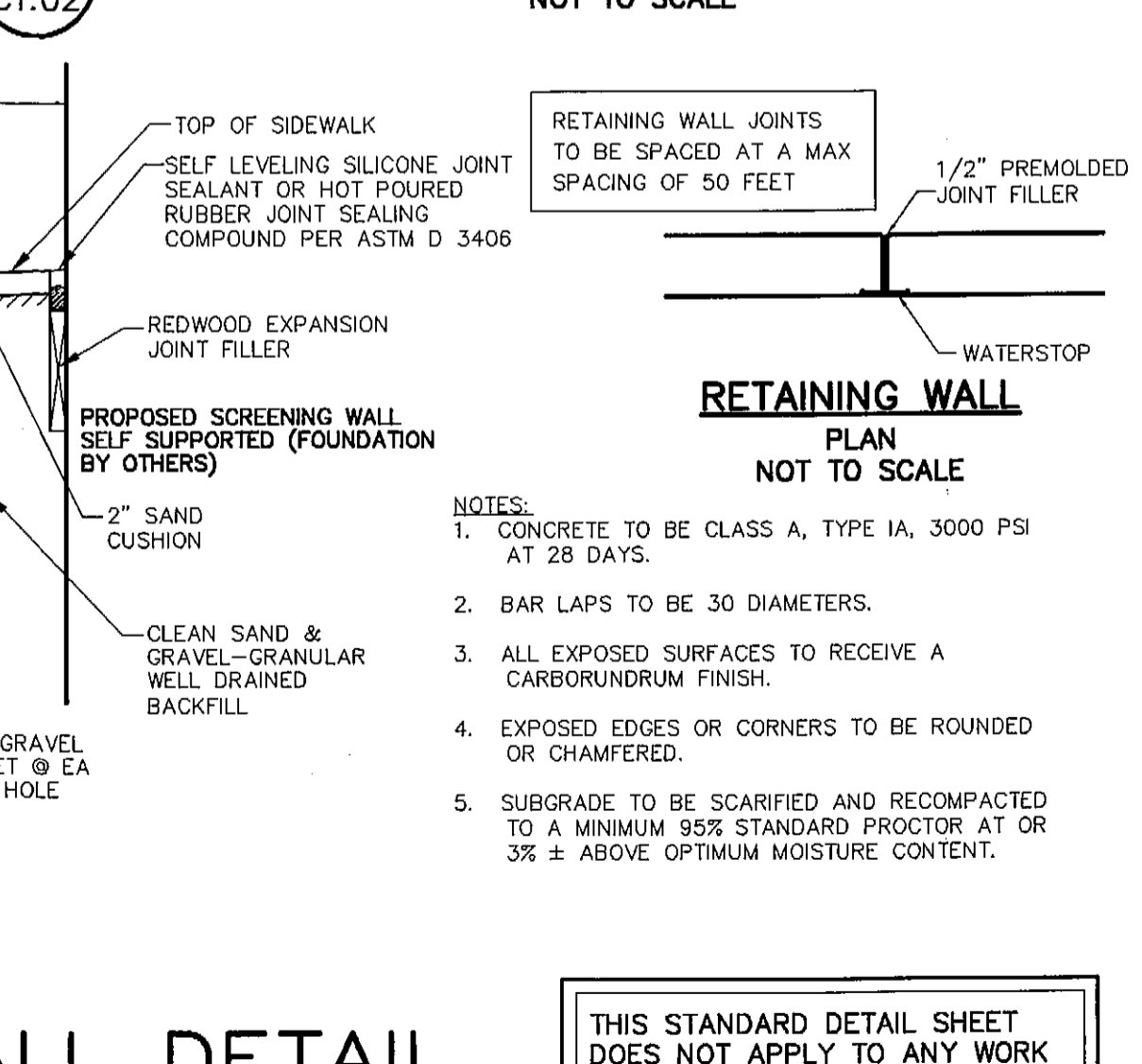
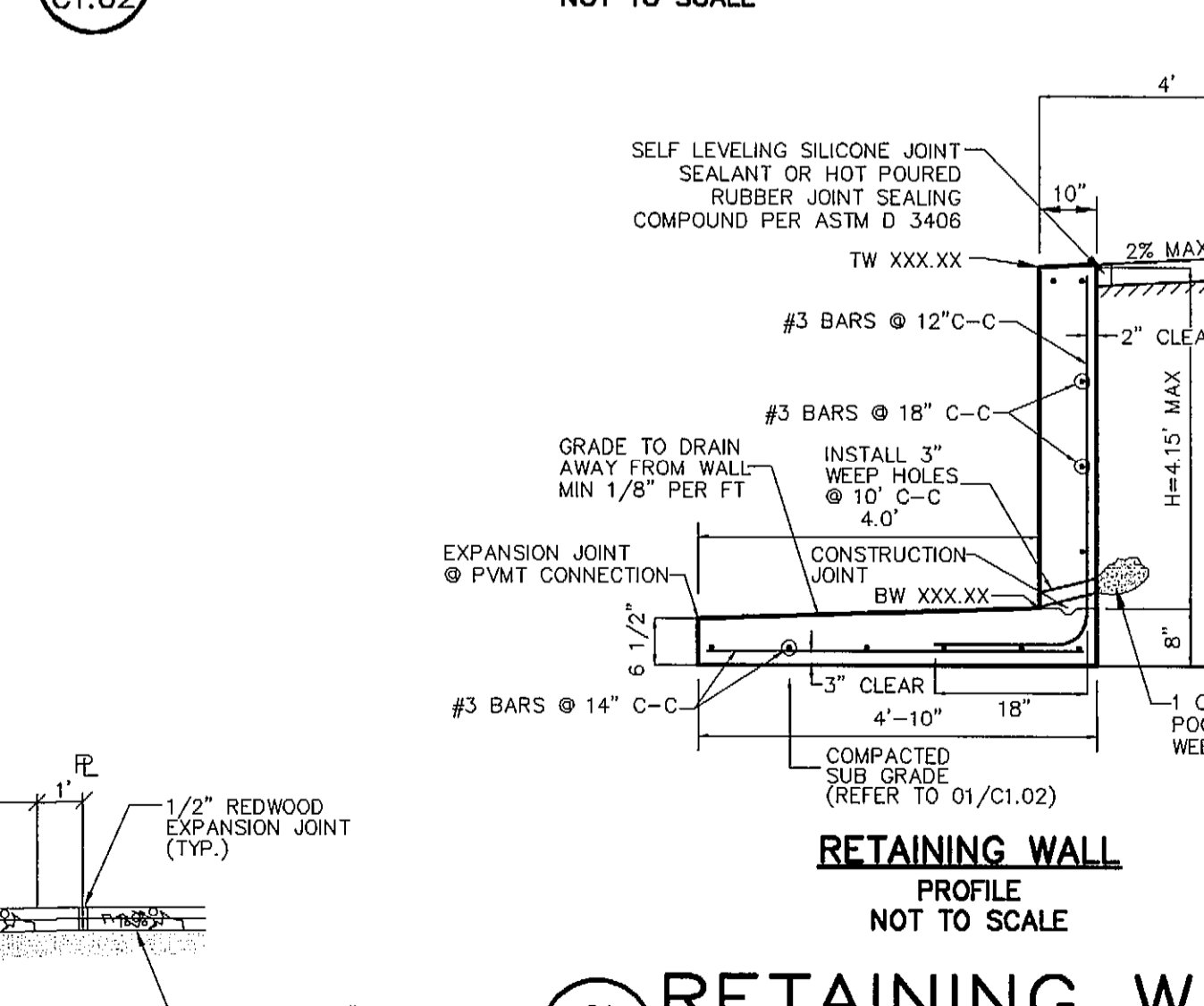
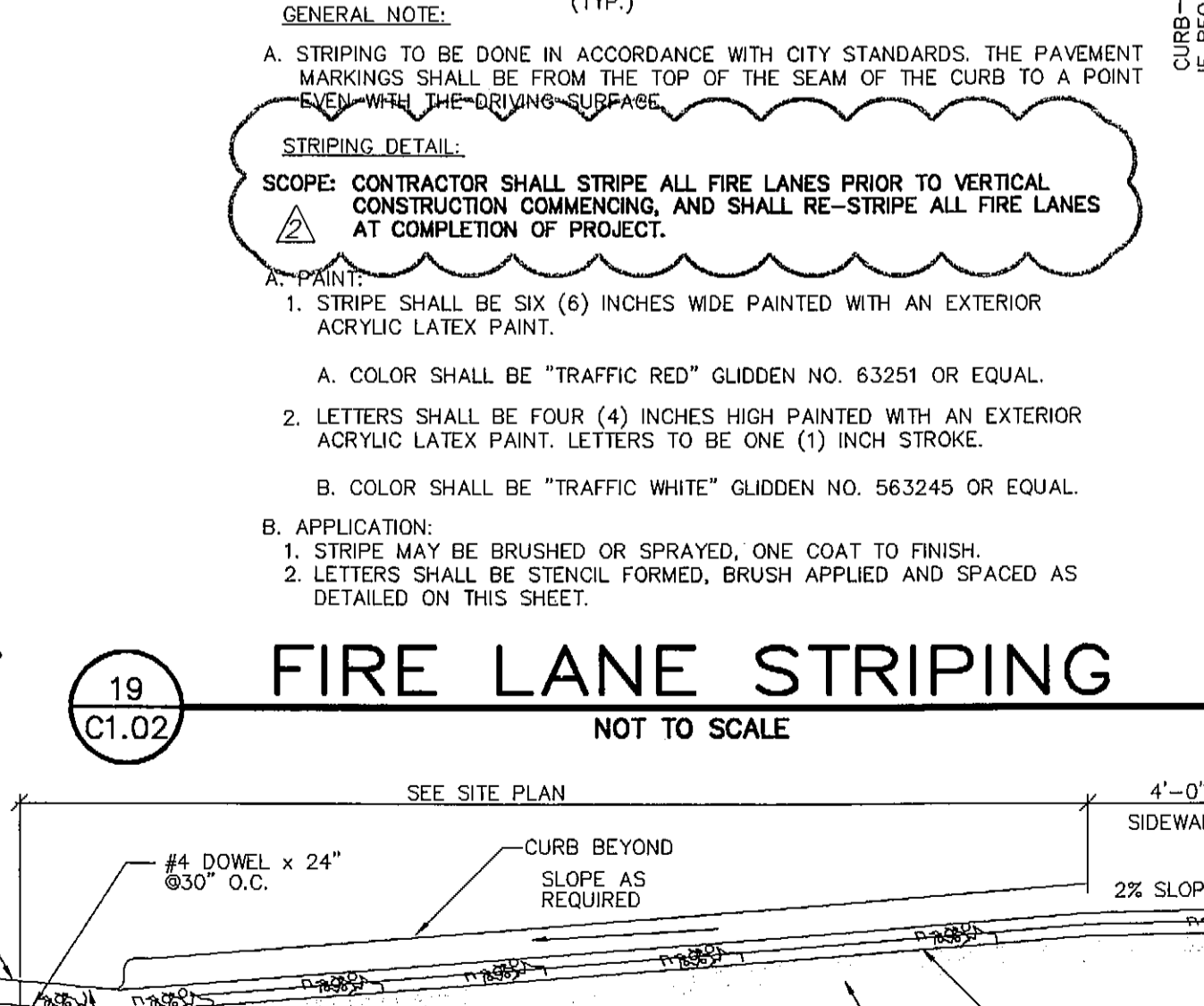
15 C1.02 RETAINING WALL PROFILE NOT TO SCALE



17 C1.02 HANDICAPPED PARKING NOT TO SCALE



20 C1.02 DRIVE CROSS SECTION NOT TO SCALE



NO.	DATE	REVISION / DESCRIPTION
02-25-08		RECORD DRAWINGS
04-12-07		FIRE HYDRANT DETAILS REVISIONS
03-12-07		CITY WATER MAIN RELOCATION
02-26-07		SITE PLAN REVISIONS
02-09-07		NORTHERNMOST ACCESS DRIVE & FIRE HYDRANT REVISIONS

DESIGN	DRAWN	DATE	SCALE	NOTES
RPP	BEC	01-29-2007	AS SHOWN	-

OWNER
 THE WHITMORE MANUFACTURING COMPANY
 P.O. BOX 9300
 ROCKWALL, TEXAS 75083
 MR. RAY SCHWERTNER
 (972) 771-1000 PHONE
 (972) 722-2108 FAX

DEVELOPER
 SPR VENTURE, INC.
 5720 SPERLING, SUITE 630
 DALLAS, TEXAS 75240
 MR. STEVEN ROSENBERG
 (214) 862-8680 PHONE
 (972) 385-0279 FAX

THE SEAL APPEARING ON THIS DOCUMENT WAS AUTHORIZED BY RANDALL P. POGUE, P.E. 84780 ON 01-29-2007. ALTERATION OF A SEALED DOCUMENT WITHOUT PROPER NOTIFICATION TO THE RESPONSIBLE ENGINEER IS AN OFFENSE UNDER THE TEXAS ENGINEERING PRACTICE ACT.

RANDALL P. POGUE
 84780
 LICENSED PROFESSIONAL ENGINEER

POGUE
 ENGINEERING & DEVELOPMENT COMPANY, INC.
 1515 HERITAGE DRIVE SUITE 105 MCKINNEY, TEXAS 75069
 (214) 544-8880 PHONE (214) 544-8882 FAX
 www.PogueEngineering.com

STANDARD DETAILS SHEET
 SPR PACKAGING
 BLOCK A, LOT 1, SPR PACKAGING ADDITION
 NWC OF INDUSTRIAL BLVD. @ JUSTIN ROAD
 CITY OF ROCKWALL, TEXAS

THIS STANDARD DETAIL SHEET DOES NOT APPLY TO ANY WORK WITHIN STATE RIGHT OF WAY.

RECORD DRAWINGS:
 IT WAS THE INTENT THAT THE IMPROVEMENTS SHOWN BE CONSTRUCTED ACCORDING TO THESE PLANS AS APPROVED BY THE CITY. THE LINES AND GRADES WERE SET ON THE GROUND FOR CONSTRUCTION. ACCORDING TO SAID PLANS, THE CITY INSPECTED THE CONSTRUCTION. THE ENGINEER DID NOT VERIFY LINES OR GRADES AFTER CONSTRUCTION. WE ARE NOT AWARE OF ANY CHANGES OR REVISIONS TO THESE PLANS DURING CONSTRUCTION OTHER THAN THOSE SHOWN.

RANDALL P. POGUE, P.E. DATE: FEBRUARY 25, 2008
 TX LIC. NO. 84780