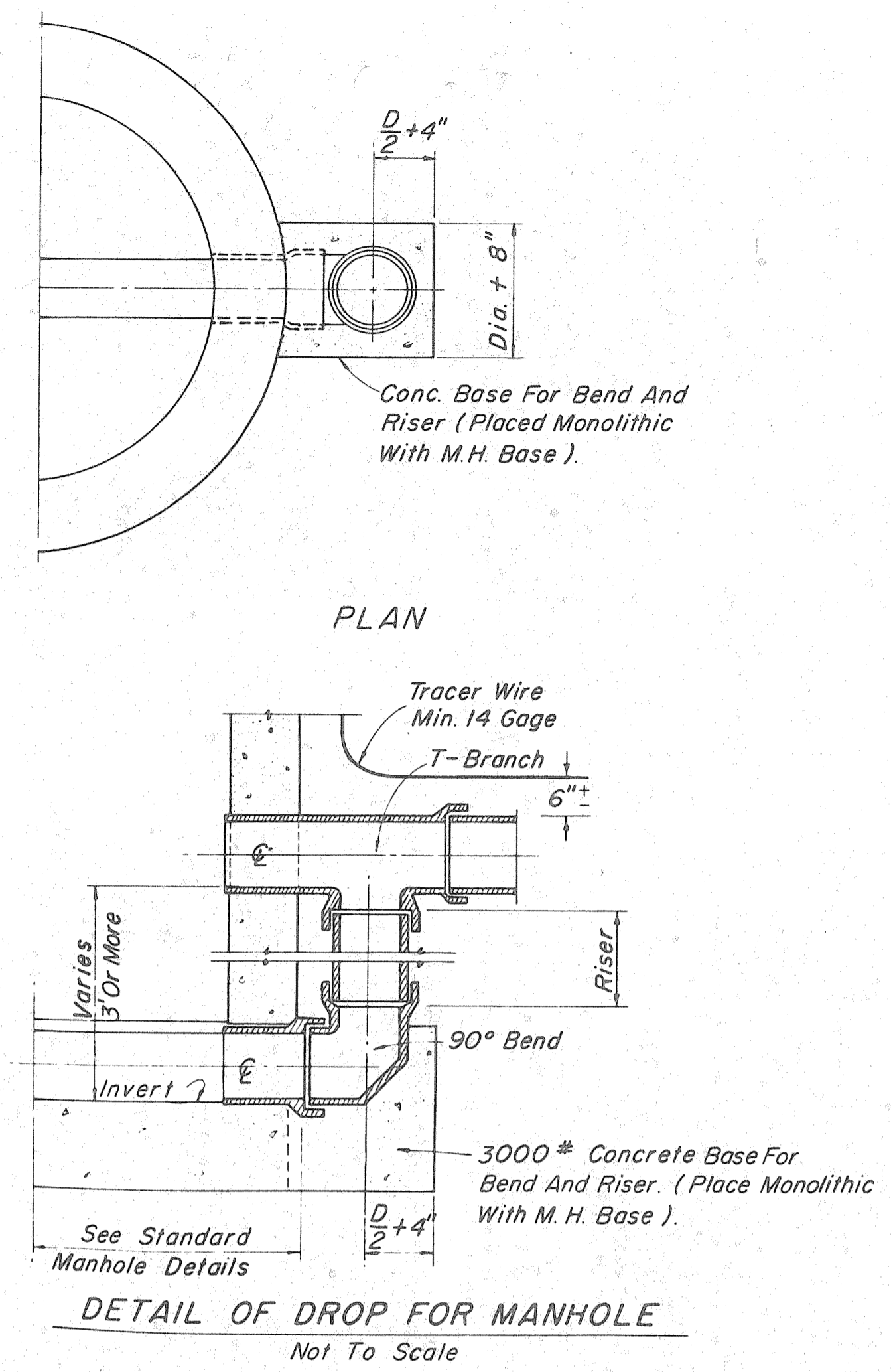
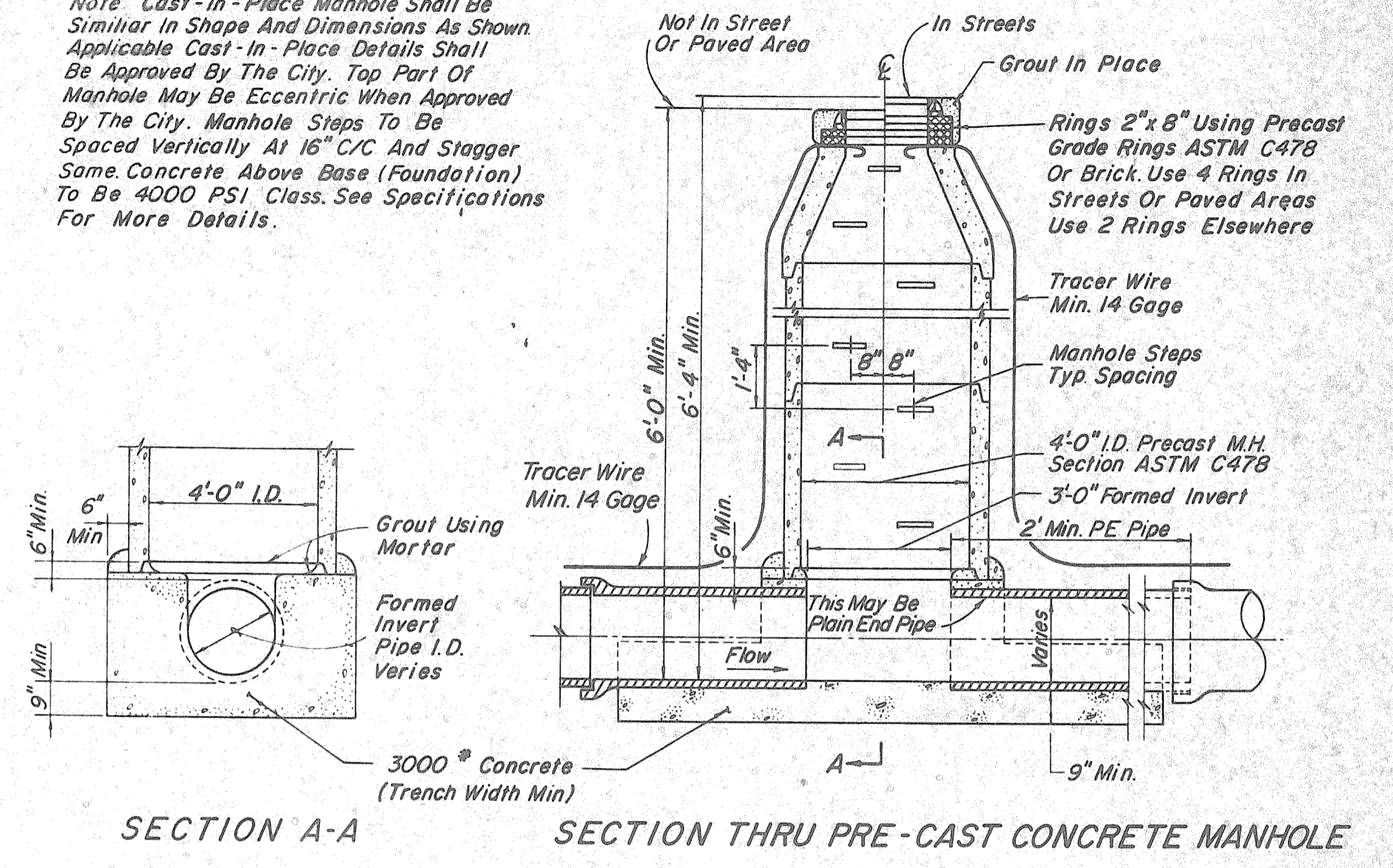


PIPE EMBEDMENT DETAILS

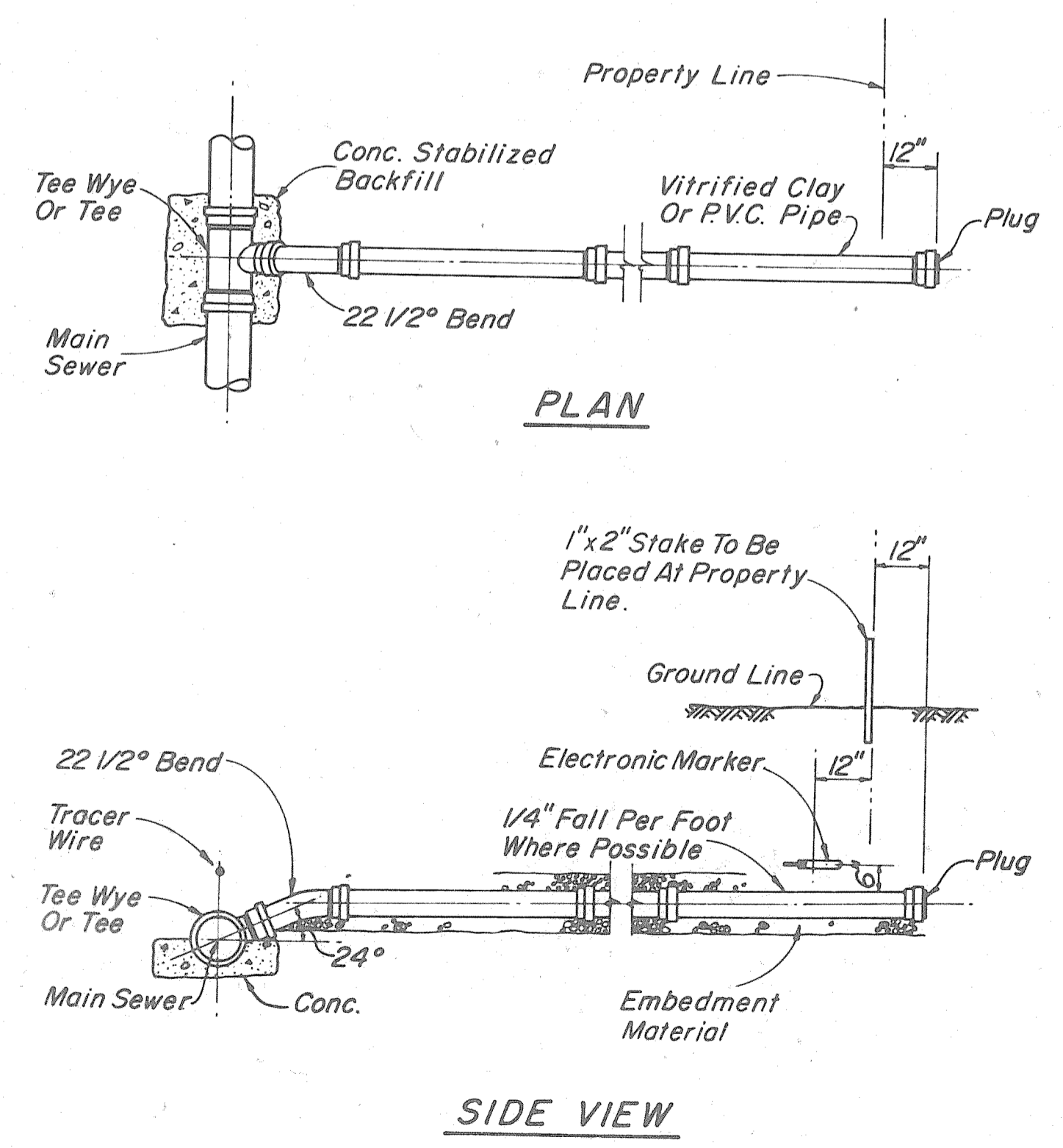


DETAIL OF DROP FOR MANHOLE
Not To Scale

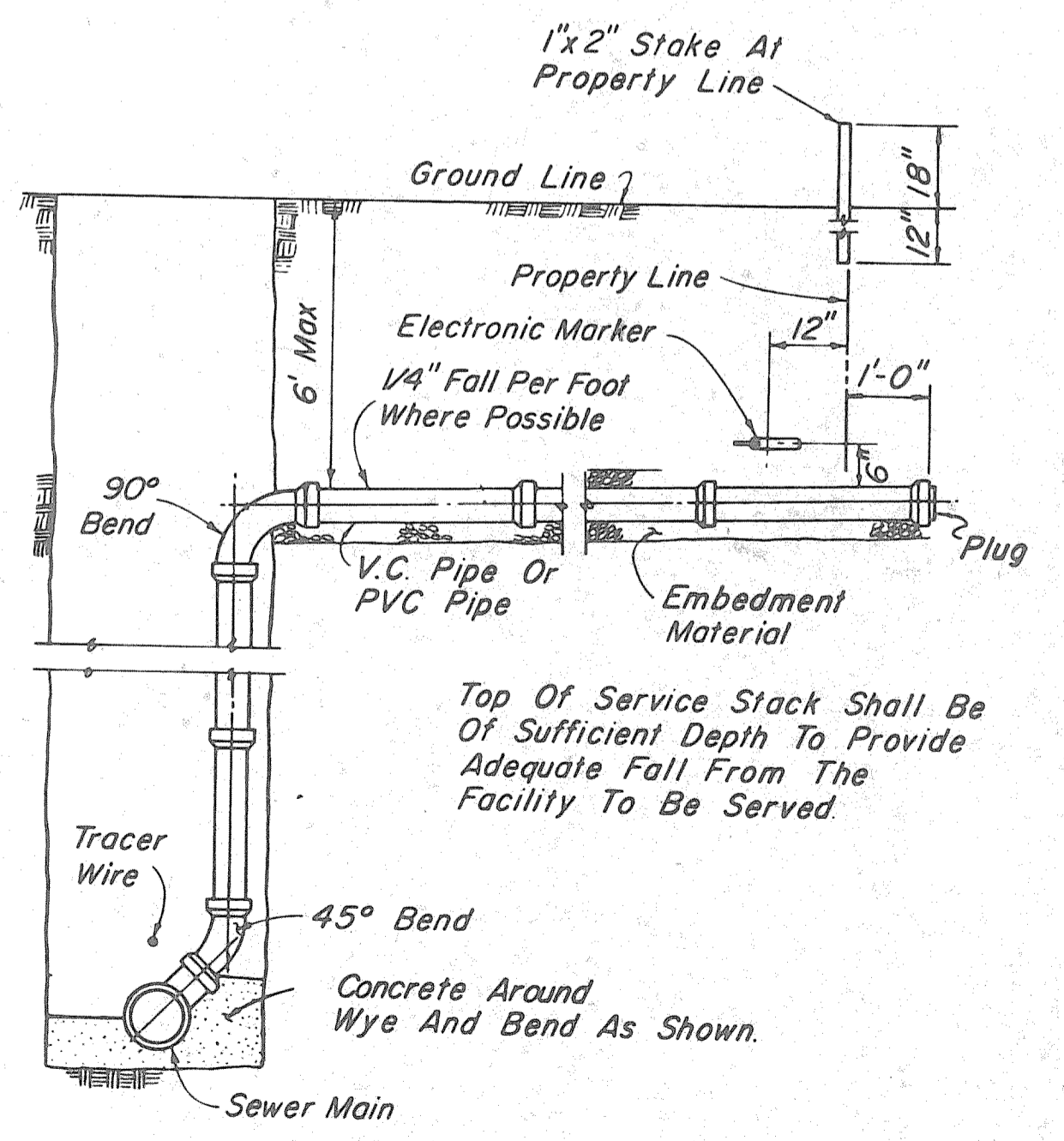
Note: Cast-In-Place Manhole Shall Be Similar In Shape And Dimensions As Shown. Applicable Cast-In-Place Details Shall Be Approved By The City. Top Part Of Manhole May Be Eccentric When Approved By The City. Manhole Steps To Be Spaced Vertically At 16" C/C And Stagger Same Concrete Above Base (Foundation) To Be 4000 PSI Class. See Specifications For More Details.



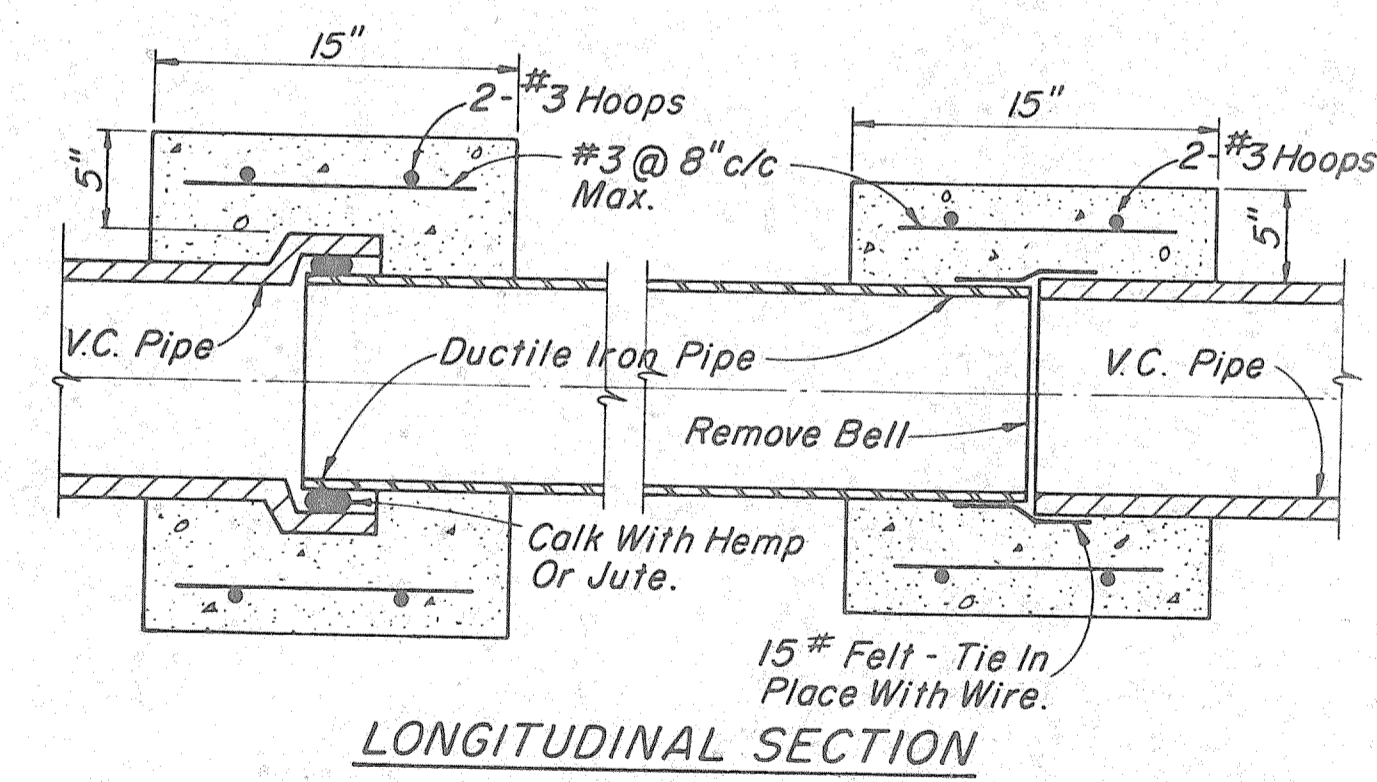
TYPICAL DETAILS PRE-CAST CONCRETE MANHOLE
(Depths Not Less Than 6 Feet)
See Note For Cast-In-Place Manhole



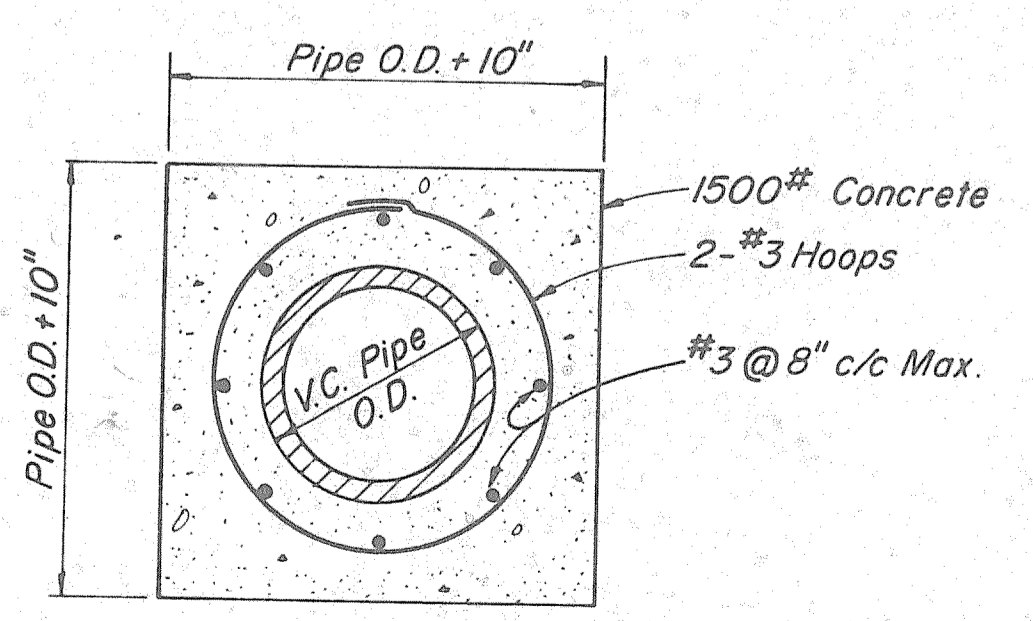
STANDARD SERVICE CONNECTION
Not To Scale



DEEP SERVICE CONNECTION
Not To Scale



LONGITUDINAL SECTION



CROSS SECTION

DETAIL-CONCRETE PIPE COLLARS
Not To Scale

DETAILS ADAPTED FROM CITY OF ROCKWALL STANDARDS.

ROCKWALL TOWNE CENTRE - PHASE II		
SANITARY SEWER DETAILS		
CONSTRUCTION PHASE II-A		
DUNNING DEVELOPMENT CO.		
8235 DOUGLAS AVE. SUITE 816, DALLAS, TEXAS		
CITY OF ROCKWALL, TEXAS		
PREPARED BY:		
WIER & ASSOCIATES, INC.		
ENGINEERING SURVEYING LAND PLANNING		
4300 BELTWAY PLACE SUITE 130 ARLINGTON, TEXAS 76010 METRO 462-7700		
3908 SOUTH FREWAY FORT WORTH, TEXAS 76110 METRO 458-9007		
DESIGNED BY: RMG	DATE: JUNE 1987	SHEET NO.
DRAWN BY: DWH	SCALE: AS SHOWN	10
CHECKED BY:		

