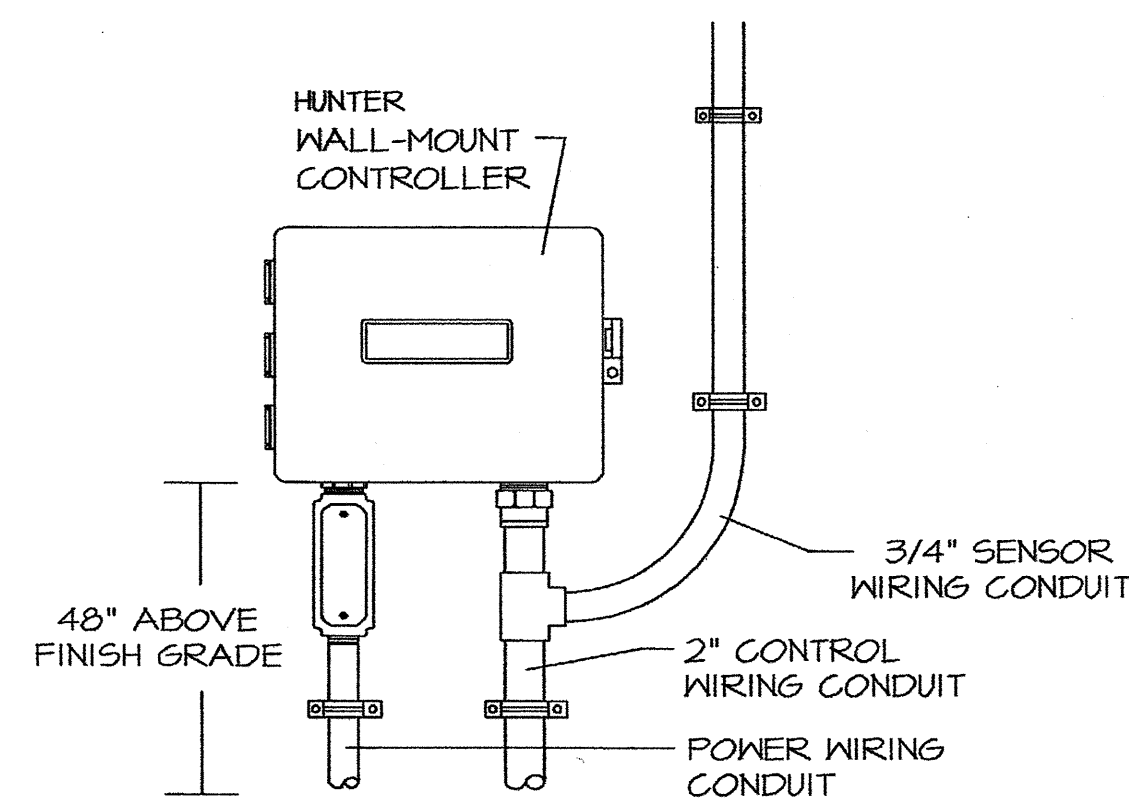
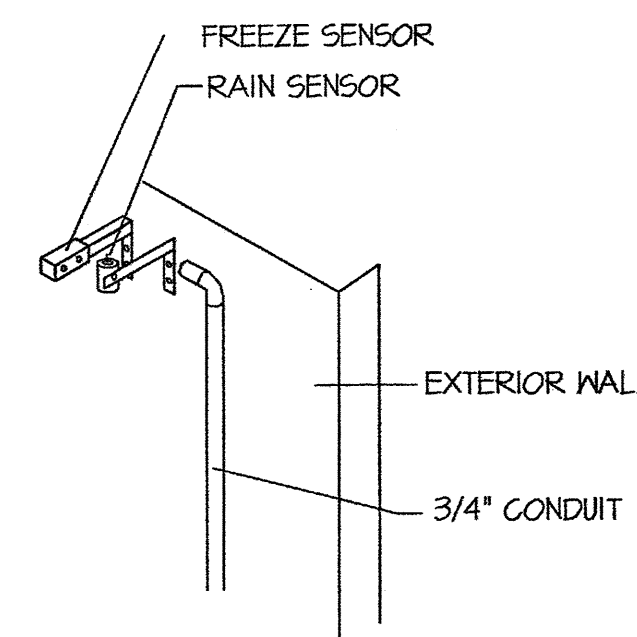


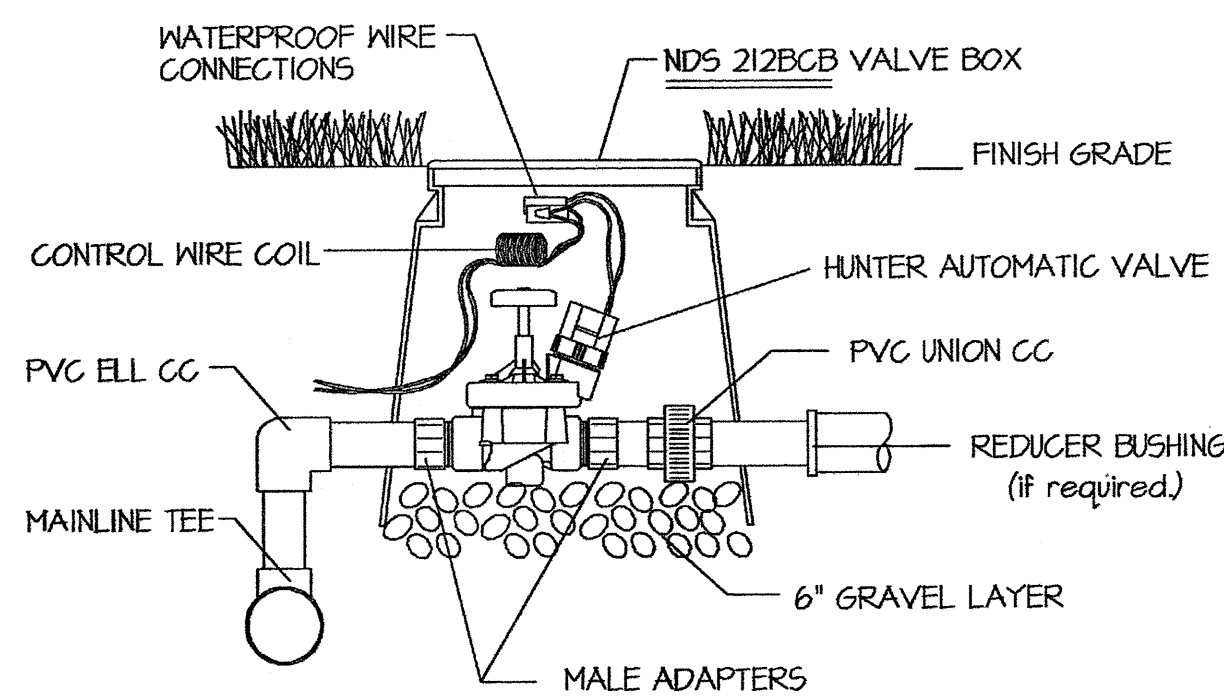
1 INSTALLATION DETAIL  
QUICK COUPLING VALVE



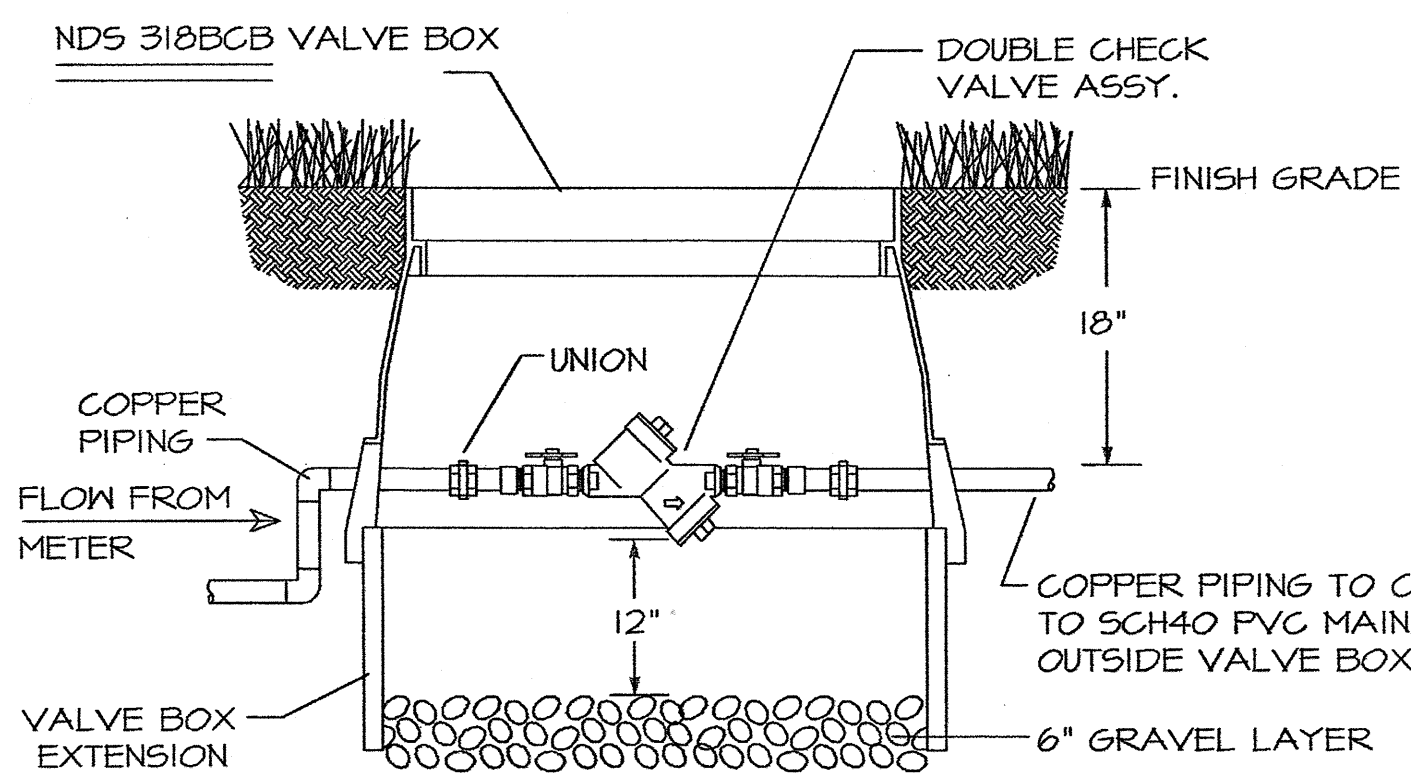
2 INSTALLATION DETAIL  
WALL-MOUNT CONTROLLER



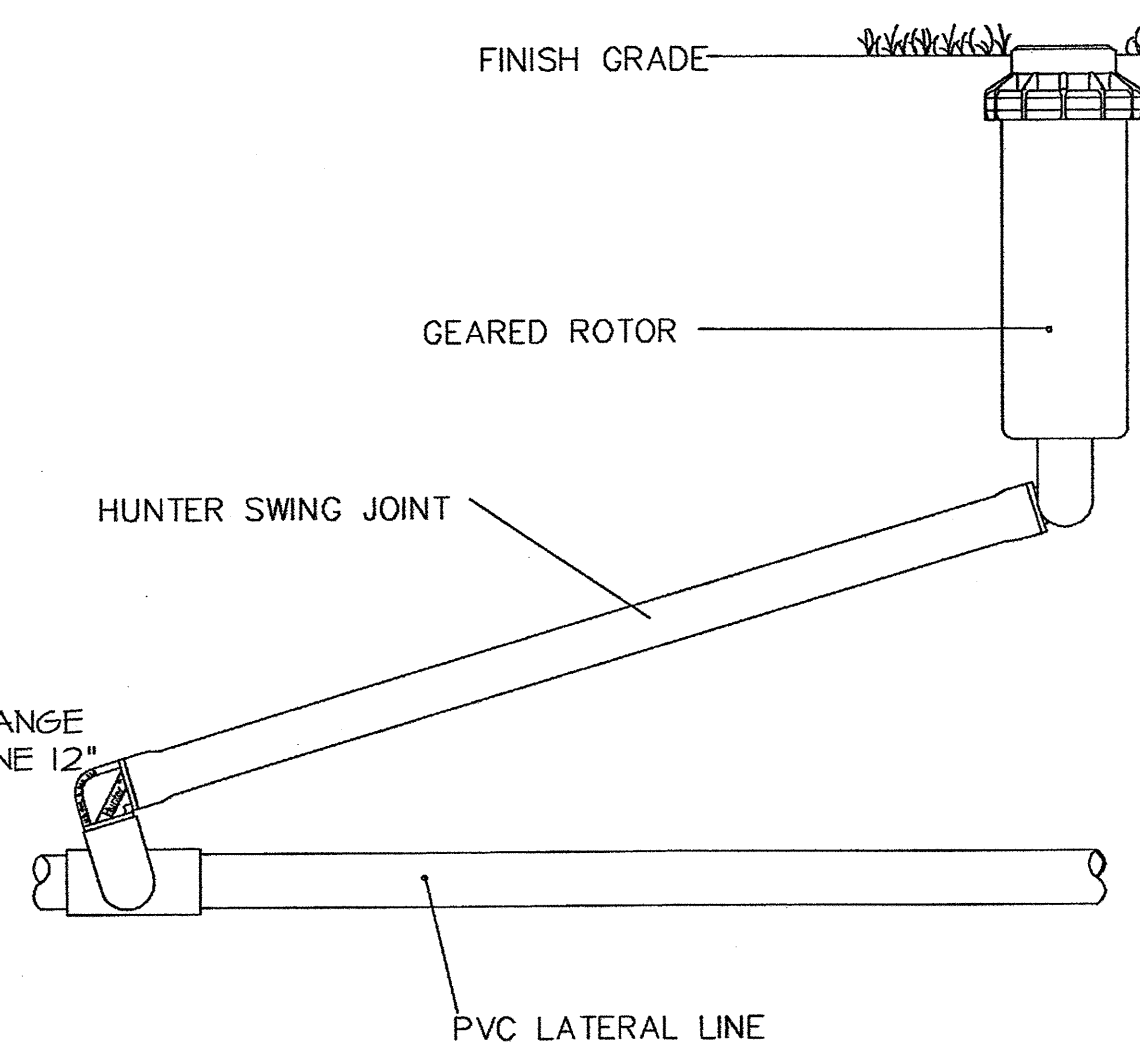
3 INSTALLATION DETAIL  
CLIMATE SENSORS



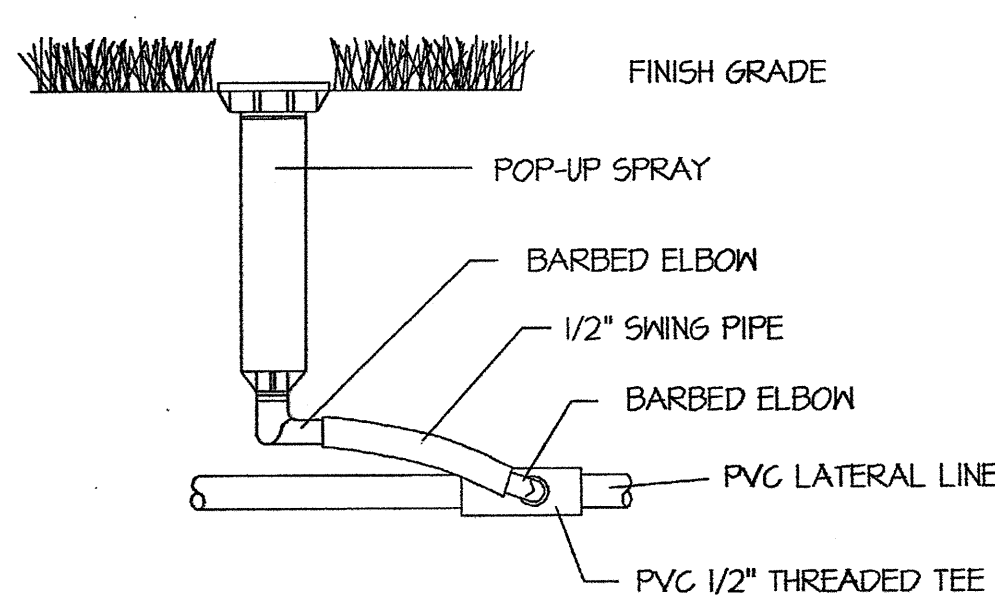
4 INSTALLATION DETAIL  
ZONE VALVE ASSY.



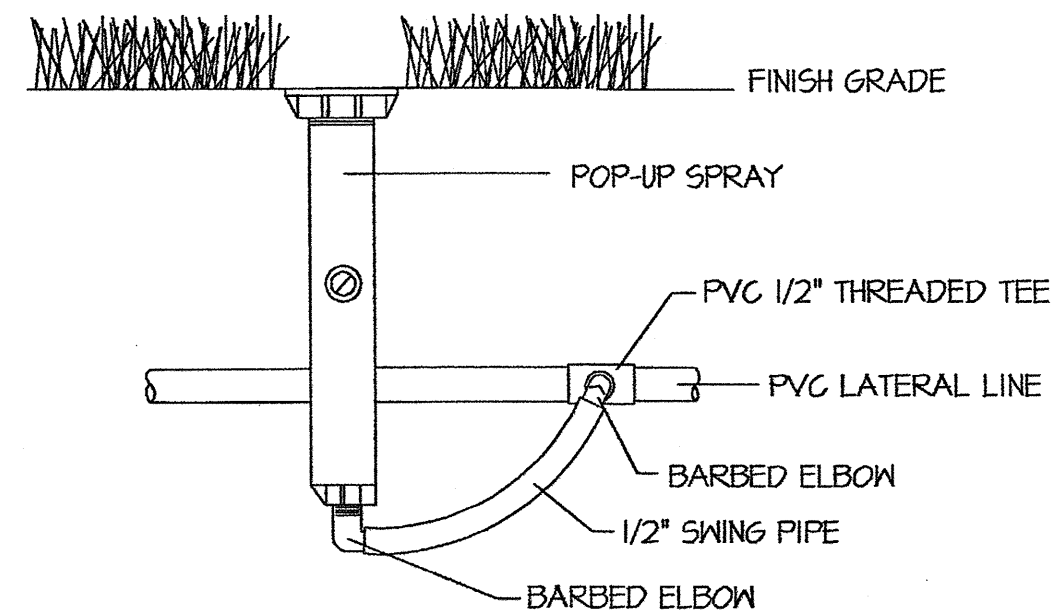
5 INSTALLATION DETAIL  
DOUBLE CHECK VALVE ASSY.



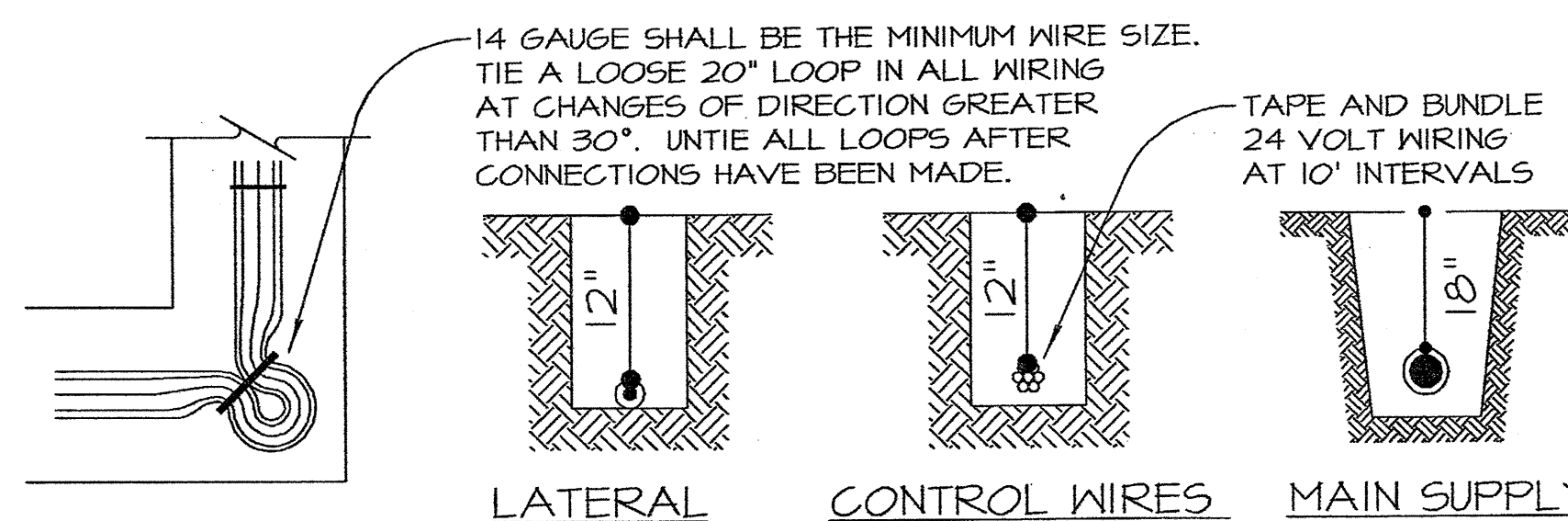
6 INSTALLATION DETAIL  
P6J AND P6P ROTOR ON SWING



7 INSTALLATION DETAIL



8 INSTALLATION DETAIL  
14" POP-UP SHRUB SPRAY



NOTES: BACKFILL MATERIAL SHALL BE FREE FROM ROCKS OR HEAVY UNSUITABLE SUBSTANCES WHICH COULD DAMAGE THE PIPE OR CREATE UNUSUAL SETTLING PROBLEMS. BACKFILLING SHALL BE DONE IN 6 INCH LAYERS AND TAMPED DOWN AFTER EACH LAYER IS PUT BACK TO PREVENT EXCESSIVE SETTLING.

9 INSTALLATION DETAIL

**GENERAL IRRIGATION NOTES**

CALL TEXAS ONE-CALL AT 1-800-344-8377 FOR INFORMATION ON THE LOCATION OF ALL UNDERGROUND UTILITIES.

CONTACT PRIOR TO DIGGING. CONTRACTOR SHALL BE RESPONSIBLE FOR ANY DAMAGE CAUSED TO THE UTILITIES (BOTH OVERHEAD AND BURIED) WHICH MAY OCCUR DUE TO HIS ACTION OR LACK OF ACTION ON THE PROJECT SITE DURING LANDSCAPE OR IRRIGATION INSTALLATION. CONTRACTOR SHALL SEEK THE ASSISTANCE OF LOCAL UTILITIES AND THE OWNER IN LOCATING THE UTILITIES PRIOR TO PERFORMING TRENCHING OPERATIONS IN ANY AREA.

TRENCHING OPERATIONS SHALL NOT OCCUR UNDER THE DRIPLINE OF EXISTING TREES UNLESS ABSOLUTELY NECESSARY. IF CONDITIONS DO NOT ALLOW FOR TRENCHING TO BE DIRECTED AROUND DRIPLINE, THE TRENCHING SHALL BE DONE RADIAL WITH THE EXISTING TREE TRUNK.

CONTRACTOR SHALL CAREFULLY VERIFY A MINIMUM RESIDUAL WATER PRESSURE OF 60PSI @ 60 GPM ADJACENT TO THE WATER METER LOCATION. IF THE MINIMUM WATER PRESSURE IS LESS THAN 60 PSI, CONTRACTOR SHALL NOTIFY THE OWNER OF SUCH AND SHALL RECEIVE OWNER'S APPROVAL PRIOR TO BEGINNING INSTALLATION OPERATIONS.

GENERAL CONTRACTOR IS RESPONSIBLE FOR INSTALLATION OF SLEEVES AS SHOWN ON THE DRAWING. EXTEND SLEEVES 2' BEYOND BACK OF CURB AND CAP UNTIL CONTRACTOR IS READY TO BEGIN INSTALLATION OF SYSTEM. STAKE LOCATION OF SLEEVE WITH T-POSTS AND FLAGS.

GENERAL CONTRACTOR SHALL PROVIDE J-BOX (115VAC POWER) TO THE CONTROLLER LOCATION AND A 2" CONDUIT FROM THE CONTROLLER FOR VALVE WIRES. IRRIGATION CONTRACTOR SHALL HARDWIRE TO J-BOX.

THE IRRIGATION DESIGN IS DIAGRAMMATIC. THE INTENT OF THE DRAWINGS IS TO SHOW THE GENERAL LAYOUT AND LOGIC OF THE SYSTEM. SCALED MEASUREMENTS MAY NOT BE ACCURATE. ACTUAL LOCATIONS AND QUANTITIES OF PIPE AND FITTINGS MAY VARY DUE TO FIELD ADJUSTMENTS FOR EXISTING AND NEW TREES AND OTHER OBSTRUCTIONS TO PROVIDE THE PROPER AND INTENDED COVERAGE.

CONTRACTOR SHALL INSURE THAT THE IRRIGATION MAIN LINE AND VALVES ARE INSTALLED WITHIN THE PROPERTY LINES. ANY LINES SHOWN OUTSIDE OF NORMAL INSTALLATION CORRIDORS ARE FOR PRESENTATION PURPOSES ONLY.

CONTRACTOR SHALL CLOSELY FOLLOW THESE CONTRACT DRAWINGS, THE IRRIGATION SPECIFICATIONS, AND THE SPECIFIED RECOMMENDATIONS OF THE EQUIPMENT MANUFACTURERS TO INSURE PROPER INSTALLATION OF THE IRRIGATION SYSTEM. CONTRACTOR SHALL IMMEDIATELY CONSULT WITH THE OWNER WHENEVER THERE APPEARS TO BE A CONFLICT BETWEEN ANY OF THE ABOVE MENTIONED DOCUMENTS. PROVIDE TEMP. IRRIGATION TO AREAS DESIGNATED ON LANDSCAPE PLANS. FOLLOW ALL LOCAL AND STATE CODES.

**RECORD DRAWING**  
THIS DRAWING REFLECTS REVISIONS AS FIELD VERIFIED BY ENGINEER AND CONTRACTOR  
*Scott E. Hornick* DATE: 4/19/09

THIS DRAWING IS FOR REVIEW PURPOSES ONLY AND SHALL NOT BE USED FOR BIDDING, PERMITTING OR CONSTRUCTION  
BRIAN J. DENCH, P.E.  
TEXAS REG. NO. 86275  
DATE FEB 15, 2008

**MICHAEL ZERBACH & ASSOCIATES, INC.**  
LANDSCAPE ARCHITECTS  
1131 COUGAR ROAD  
LIPAN, TEXAS 78462  
VOICE TELEPHONE NO. 817/599-8858  
FAX TELEPHONE NO. 817/596-7400  
E-MAIL - zerbins@ychoo.com

**PATE ENGINEERS**

8150 BROOKRIVER DRIVE  
SUITE 5-700  
DALLAS, TEXAS, 75247  
PH. (214) 357-2981  
FAX (214) 357-2985

REVISION NUMBER	DATE	DESCRIPTION

IRRIGATION DETAILS  
ROCKWALL MEDICAL OFFICE  
LOT 14, BLOCK A AND PART OF  
LOT 13, BLOCK A  
PRESBYTERIAN HOSPITAL  
OF ROCKWALL ADDITION  
CITY OF ROCKWALL  
ROCKWALL COUNTY, TEXAS

DRAWN BY	DESIGNED BY	CHECKED BY	DATE	SCALE	SHEET NUMBER
SEH	TID	SEH	03-05-08	NTS	IR1-02

