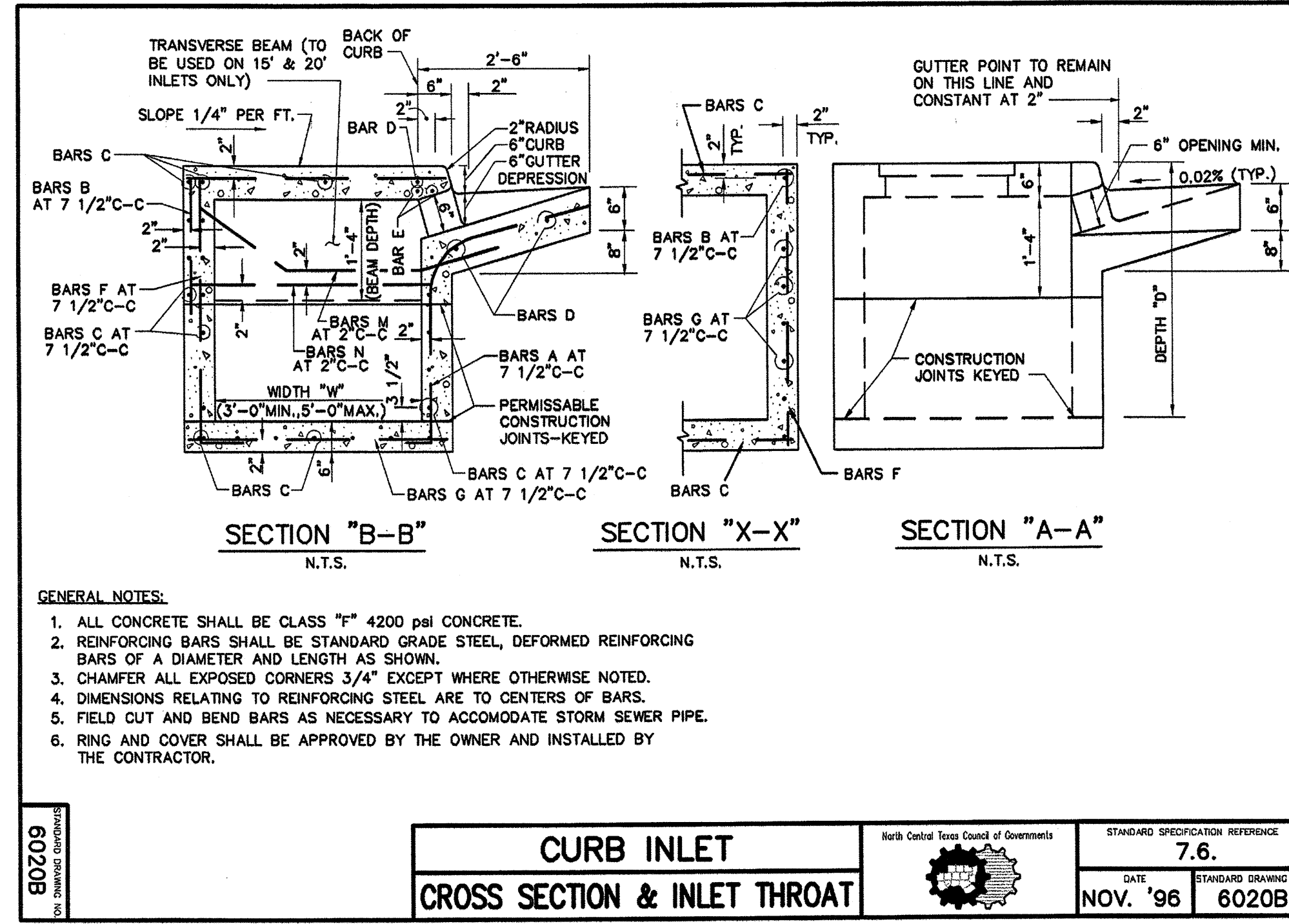


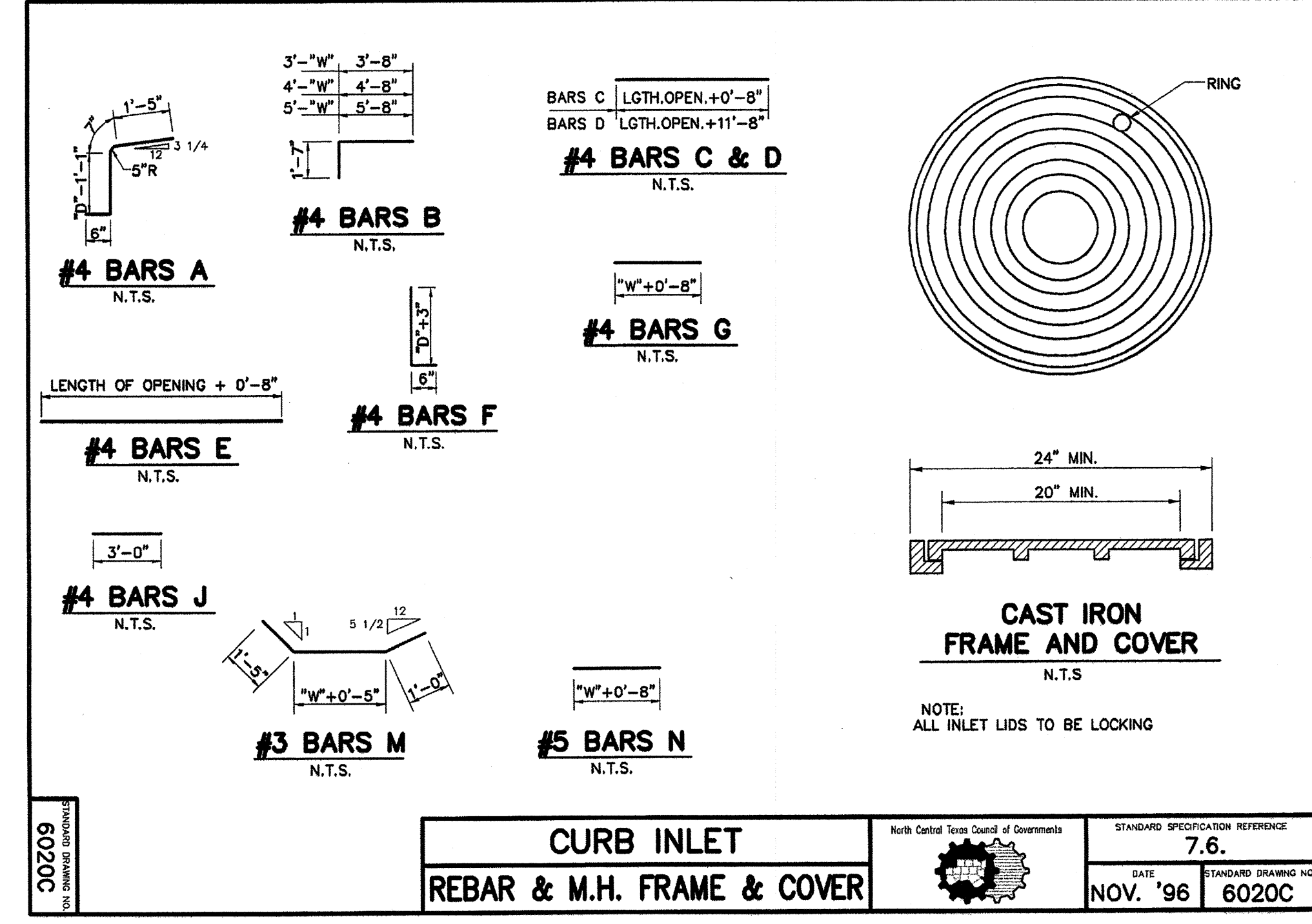
CURB INLET
5', 10', 15' OR 20' OPENING

North Central Texas Council of Governments	STANDARD SPECIFICATION REFERENCE
	7.6.
DATE	STANDARD DRAWING NO.
NOV. '96	6020A



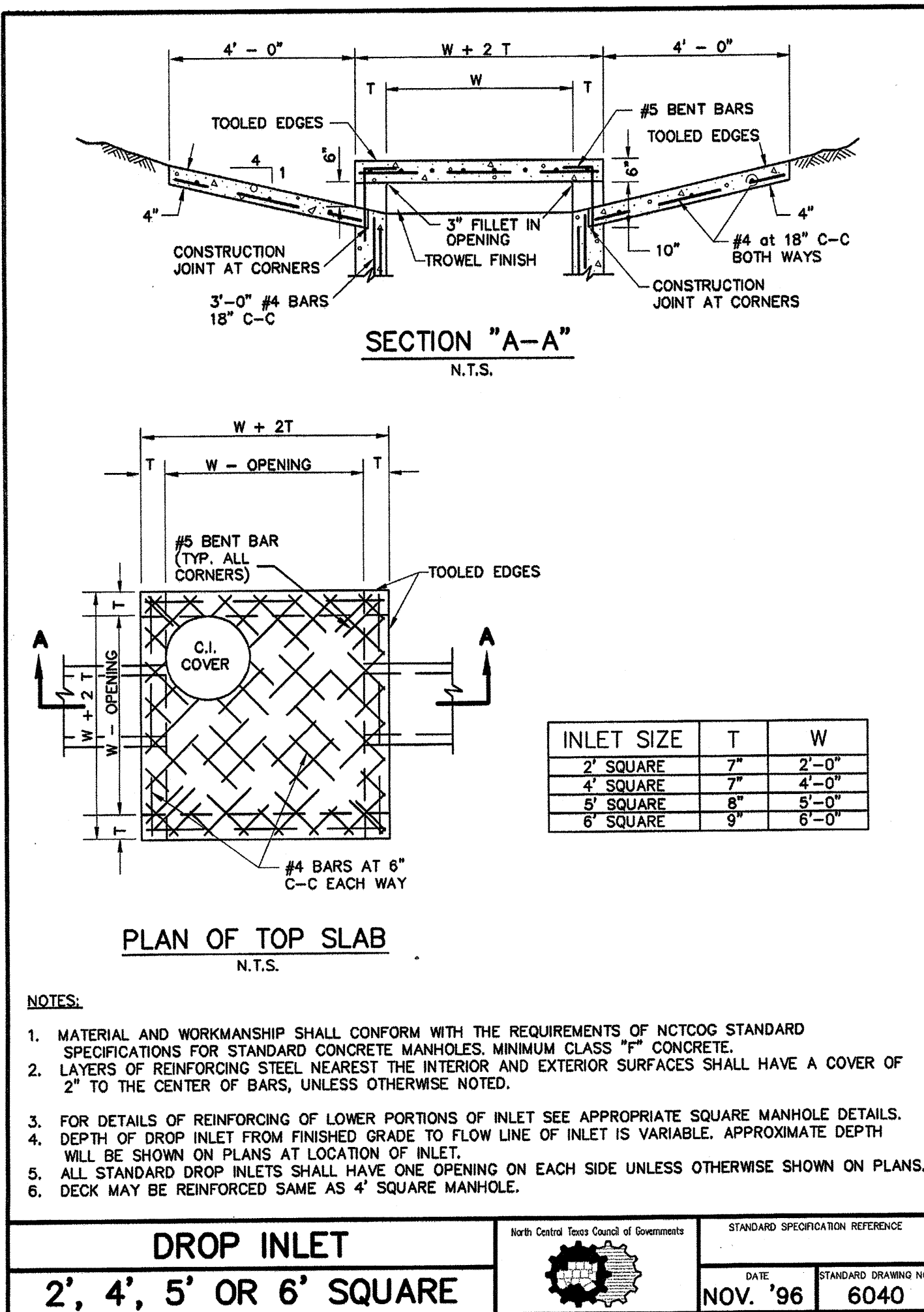
CURB INLET
CROSS SECTION & INLET THROAT

North Central Texas Council of Governments	STANDARD SPECIFICATION REFERENCE
	7.6.
DATE	STANDARD DRAWING NO.
NOV. '96	6020B



CURB INLET
REBAR & M.H. FRAME & COVER

North Central Texas Council of Governments	STANDARD SPECIFICATION REFERENCE
	7.6.
DATE	STANDARD DRAWING NO.
NOV. '96	6020C



DROP INLET
2', 4', 5' OR 6' SQUARE

North Central Texas Council of Governments	STANDARD SPECIFICATION REFERENCE
	7.6.
DATE	STANDARD DRAWING NO.
NOV. '96	6040

- NOTES:
- MATERIAL AND WORKMANSHIP SHALL CONFORM WITH THE REQUIREMENTS OF NCTCOG STANDARD SPECIFICATIONS FOR STANDARD CONCRETE MANHOLES, MINIMUM CLASS 1" CONCRETE.
 - LAYERS OF REINFORCING STEEL NEAREST THE INTERIOR AND EXTERIOR SURFACES SHALL HAVE A COVER OF 2" TO THE CENTER OF BARS, UNLESS OTHERWISE NOTED.
 - FOR DETAILS OF REINFORCING OF LOWER PORTIONS OF INLET SEE APPROPRIATE SQUARE MANHOLE DETAILS.
 - DEPTH OF DROP INLET FROM FINISHED GRADE TO FLOW LINE OF INLET IS VARIABLE, APPROXIMATE DEPTH WILL BE SHOWN ON PLANS AT LOCATION OF INLET.
 - ALL STANDARD DROP INLETS SHALL HAVE ONE OPENING ON EACH SIDE UNLESS OTHERWISE SHOWN ON PLANS.
 - DECK MAY BE REINFORCED SAME AS 4' SQUARE MANHOLE.

REFERENCE SHEET C2.1 FOR GENERAL NOTES

PRIMARY BENCHMARK:
CITY OF ROCKWALL GPS MONUMENT R017 - STANDARD 3 1/4" ALUMINUM CAP +/- 250' EAST OF HORIZON ROAD, 3' SOUTH OF NORTH CURB OF MEDIAN, RALPH HALL ROAD.
ELEVATION: 549.46'

PROJECT BENCHMARK:
ROCKWALL CONTROL MONUMENT ON THE NORTHWEST CORNER OF A 15' INLET, 300' SOUTH OF HORIZON ROAD ON THE WEST SIDE OF ROCKWALL PARKWAY.
ELEVATION: 536.20'

PROJECT BENCHMARK:
CUT 'X' IN CONCRETE WHICH IS +/- 65' NORTHWEST OF 1ST WYE INLET AND +/- 8' SOUTH OF 2ND LIGHT POLE FROM ROCKWALL PARKWAY ON THE NORTHEASTERLY SIDE OF DRIVEWAY.
ELEVATION: 535.11'

PROJECT BENCHMARK:
CUT 'X' IN CONCRETE WHICH IS +/- 54' SOUTH OF SANITARY SEWER MANHOLE AND +/- 100' SOUTHEAST OF 1ST WYE INLET FROM ROCKWALL PARKWAY, NEAR THE CENTERLINE OF DRIVEWAY.
ELEVATION: 533.08'

6/17/08
STATE OF TEXAS
RUSTY L. PRENTICE
100191
LICENSED PROFESSIONAL ENGINEER
Rusty Prentice

THE SEAL APPEARING ON THIS DOCUMENT WAS AUTHORIZED BY RUSTY L. PRENTICE, P.E. 100191 ON 06/17/08 ALTERATION OF A SEALED DOCUMENT WITHOUT PROPER NOTIFICATION TO THE RESPONSIBLE ENGINEER IS AN OFFENSE UNDER THE TEXAS ENGINEERING PRACTICE ACT.

RECORD DRAWING
THIS DRAWING REFLECTS REVISIONS AS FIELD VERIFIED BY ENGINEER AND CONTRACTOR
Rusty Prentice DATE: 4/16/09

PATE ENGINEERS
8150 BROOKRIVER DRIVE
SUITE 5-700
DALLAS, TEXAS, 75247
PH. (214) 357-2981
FAX (214) 357-2985
JOB NO. 182800100

REVISION NUMBER	DATE	DESCRIPTION

ROCKWALL MEDICAL OFFICE
LOTS 14 AND 15, BLOCK A
PRESBYTERIAN HOSPITAL OF ROCKWALL ADDN
STORM DRAIN DETAILS

CITY OF ROCKWALL
ROCKWALL COUNTY, TEXAS

DRAWN BY	DESIGNED BY	CHECKED BY	DATE	SCALE	SHEET NUMBER
PATE	PATE	RLP	06/2008	NTS	C3.4