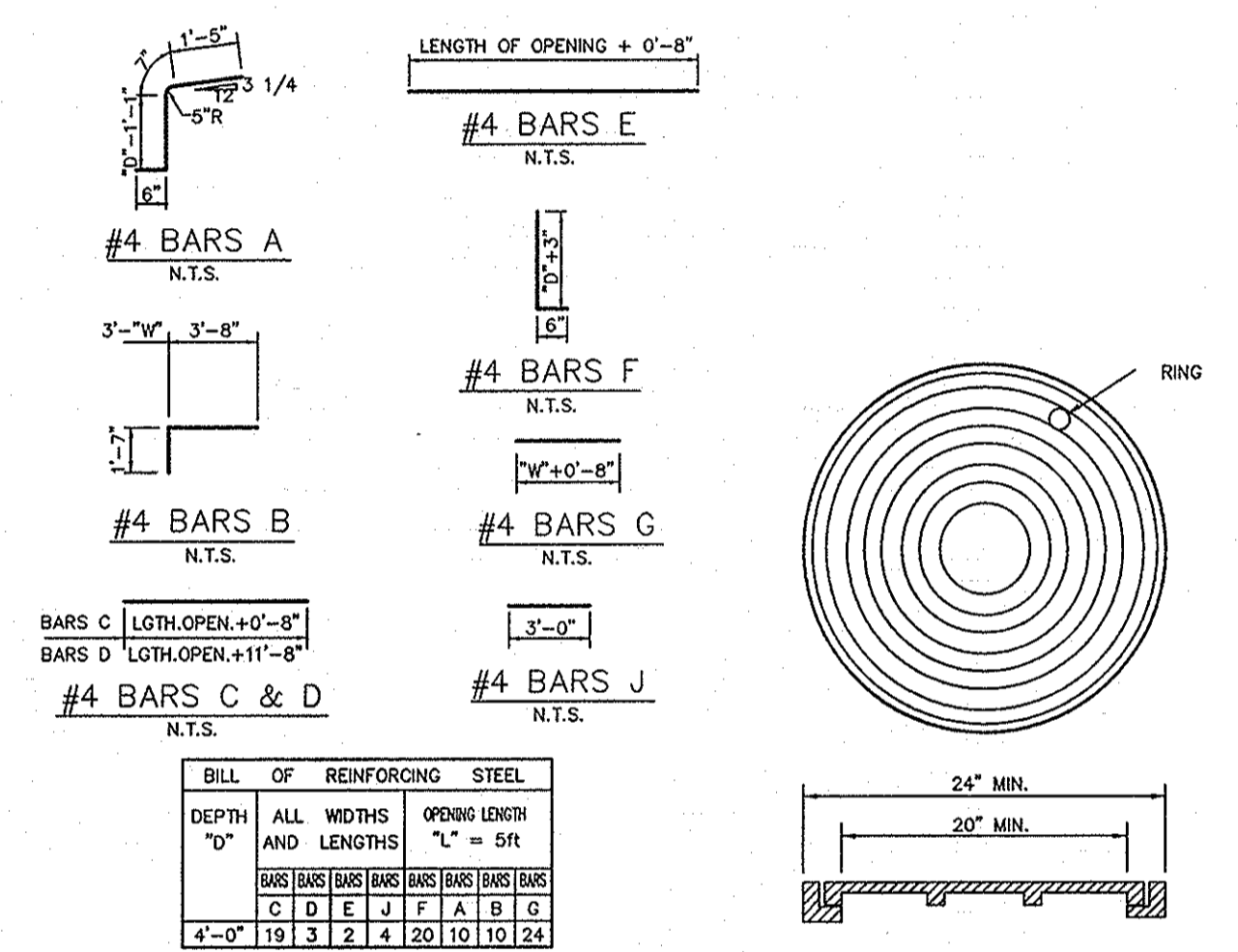
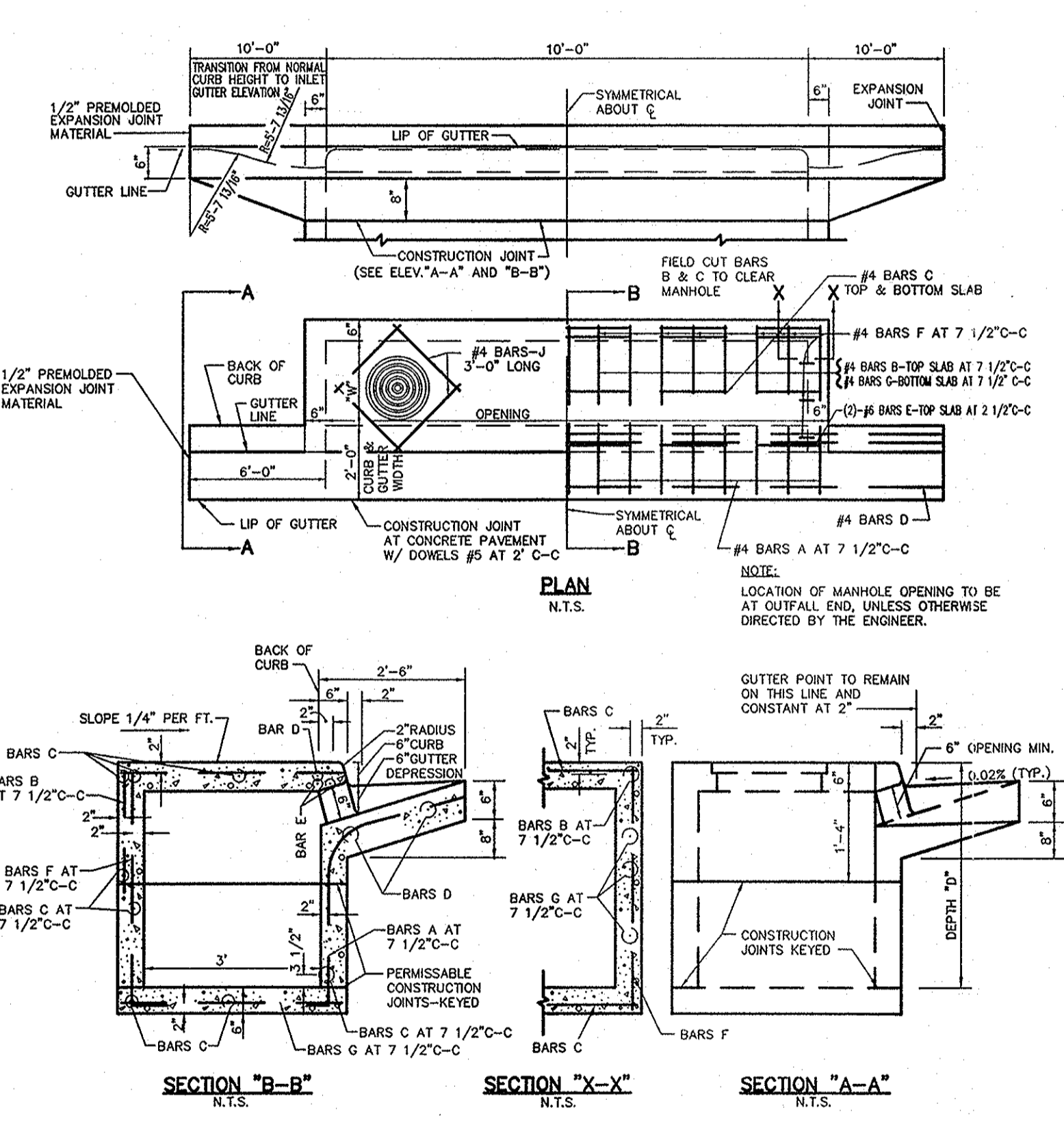
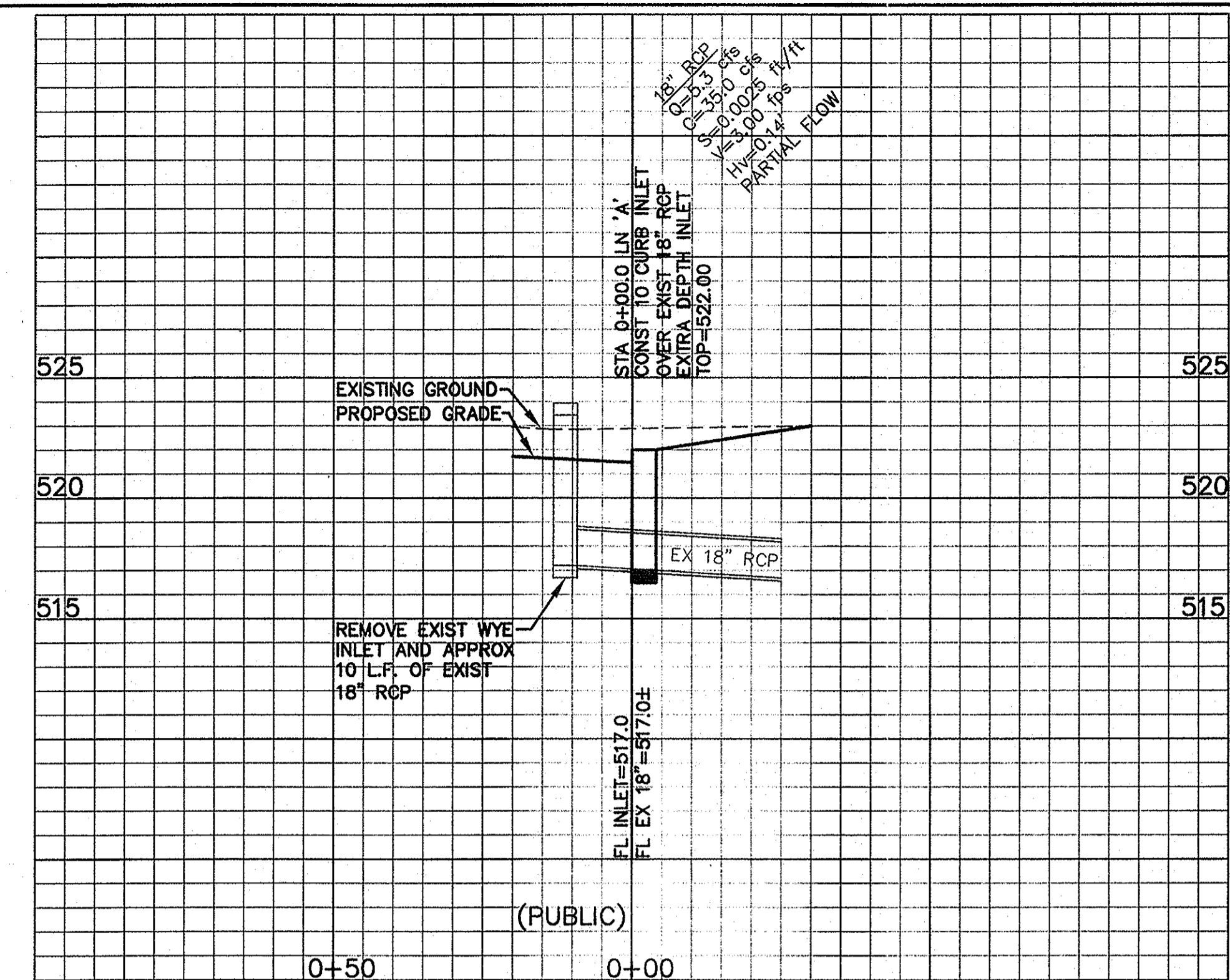
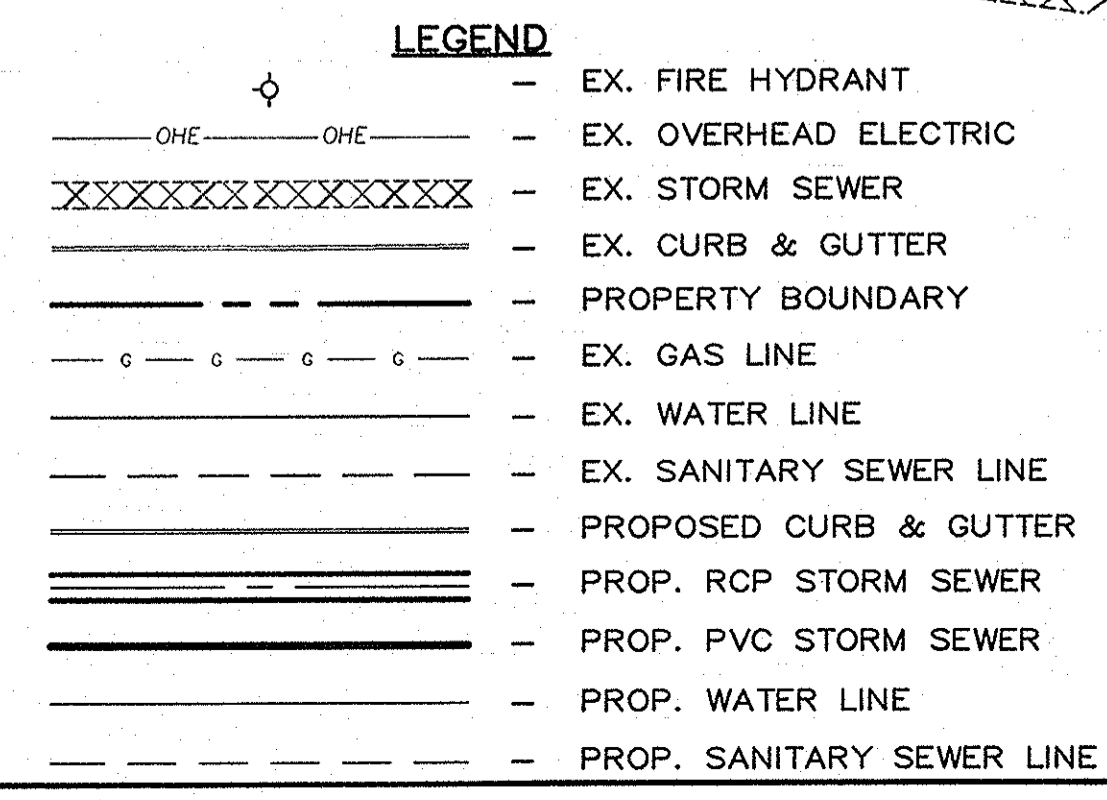


- STORM SEWER NOTES:**
- All materials and construction shall conform to the City of Rockwall and NCTCOG 3RD Edition standards, except as noted herein and approved by the City.
  - All storm sewer pipe 18" and larger shall be class III RCP. All storm sewer pipe 15" and smaller shall be SDR-35 PVC, ADS N-12 drainage pipe or approved equal.
  - Contractor shall be responsible for maintaining trench safety requirements in accordance with City standards, Texas state law, and O.S.H.A. standards for all excavation in excess of five feet in depth.
  - Concrete for inlets and drainage structures shall be 4200 psi at 28 days.
  - Construction shall begin at downstream end of project and continue upstream with pipe grooves facing upstream.
  - Contractor shall protect all public utilities during the construction of this project.
  - The location of all utilities indicated on these plans are taken from existing public records, the exact location and elevation of all public utilities must be determined by the contractor. It shall be the duty of the contractor to ascertain whether any additional facilities other than those shown on the plans may be present.
  - If rock is encountered in the trench, rock spoil shall not be used in the upper 1.5 feet of the trench. The upper 1.5 feet of the trench is to be backfilled only with quality topsoil.
  - See utility plan for additional information related to other utility construction.
  - All trench backfill for public storm sewer shall be compacted as required by the City.
  - See MEP plans for exact location and elevation of utilities at the building.



- BENCHMARKS:**
- BENCHMARK 1:** City of Rockwall Monument Reset #1. ELEVATION = 567.70 feet
  - BENCHMARK 2:** Square cut on south bull nose of median, 350± southeast of the intersection of Tubbs Road and F.M. 3097. ELEVATION = 520.73
  - BENCHMARK 3:** Square cut on back of curb, southwest of main entrance at Tubbs Road, 100± southwest of helicopter pad. ELEVATION = 530.78

No.	Revision	Date

**STORM SEWER PLAN**

MEDICAL OFFICE BUILDING  
LOT 7, BLOCK A  
PRESBYTERIAN HOSPITAL ADDITION  
ROCKWALL, TEXAS

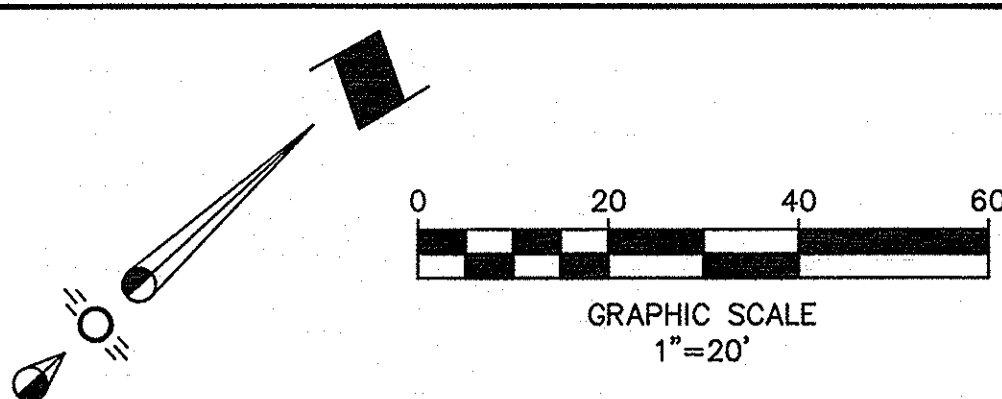
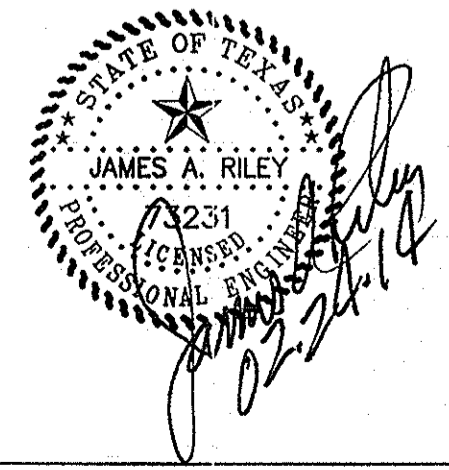
**BROCKETTE/DAVIS/DRAKE, INC.**  
consulting engineers  
Civil & Structural Engineering • Surveying  
Texas Registered Engineering Firm F-841  
4144 North Central Expressway, Suite 1100  
Dallas, Texas 75204  
(214) 824-3647 • fax (214) 824-7064

DESIGN	DRAWN	DATE	SCALE	NOTES	FILE	NO.
JAR	DJA	05/14/13	1"=20'	BDD	C12126	C7

**RECORD DRAWING**  
02/24/14

**NOTE:**  
TO THE BEST OF OUR KNOWLEDGE BROCKETTE DAVIS DRAKE, INC., HEREBY STATES THAT THIS PLAN IS AS-BUILT. THIS INFORMATION PROVIDED IS BASED ON SURVEYING AT THE SITE AND INFORMATION PROVIDED BY THE CONTRACTOR.

**NOTE:**  
All responsibility for adequacy of the design remains with the Design Engineer. The City of Rockwall, in reviewing and releasing plans for construction, assumes no responsibility for adequacy or accuracy of design.



Copyright © 2010 Brockette/Davis/Drake, Inc. All Rights Reserved. This drawing is the property of Brockette/Davis/Drake, Inc. Any modification or use of this drawing without the express written authorization of Brockette/Davis/Drake, Inc. is prohibited.