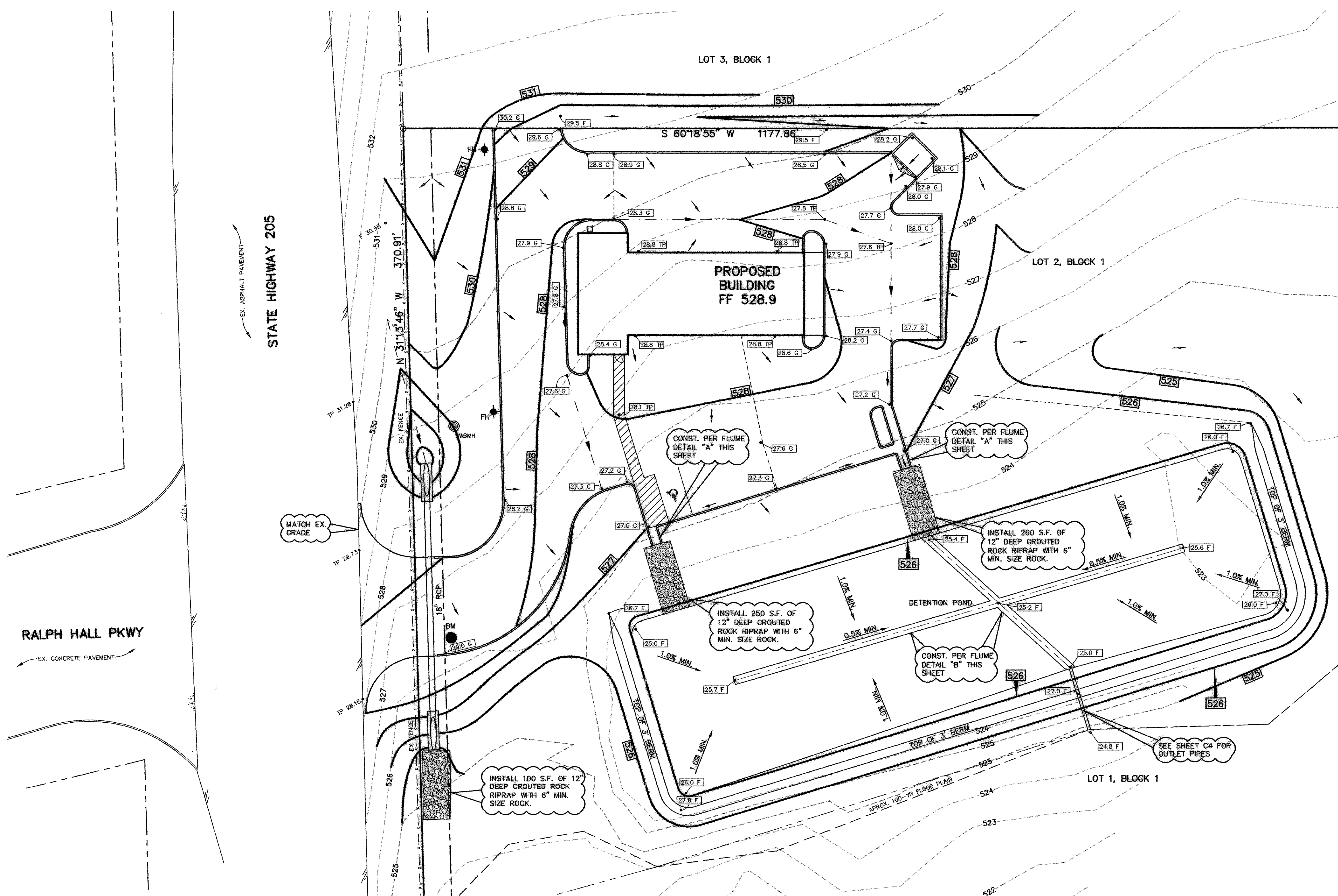
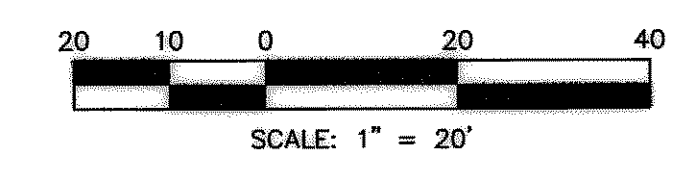
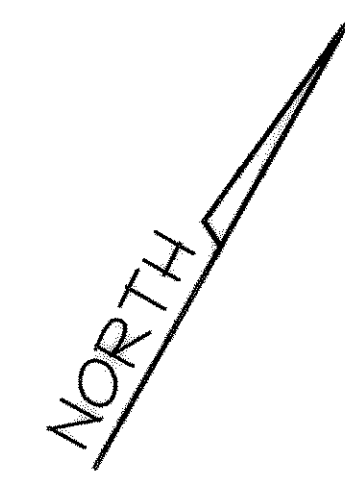


GRADING PLAN
MEADOWCREEK BUSINESS CENTER LOT 2, BLOCK 1
CITY OF ROCKWALL, TEXAS

RECORD DRAWING

Scale: 1"=20'
File Name: LUBESTE
Date: JULY 2005
Project No.: 25131

Sheet **C2**



GRADING GENERAL NOTES

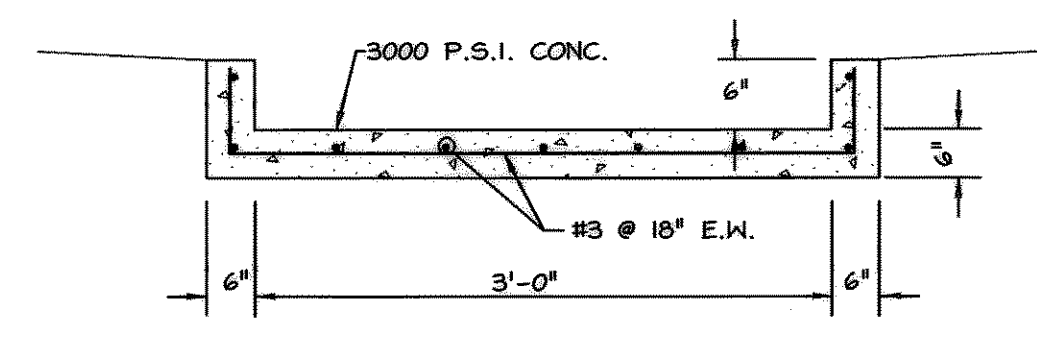
- All work shall be in accordance with these plans and City of Rockwall Standards.
- All proposed contours are approximate. Proposed spot elevations and designated gradient are to be used in the event of any discrepancies.
- The General Contractor and all subcontractors shall verify the suitability of all existing and proposed site conditions including grades and dimensions before commencement of any construction. In the event of any conflict and prior to commencement of any construction, immediately notify Engineer. Minor adjustments of finished grade to accomplish spot drainage are acceptable.
- All spot elevations are top of pavement or gutter. To obtain top of curb elevation, add 0.5 feet.
- Ground shall be scarified prior to placing any fill.
- Fill shall be placed in accordance with the geotechnical investigation and soils report recommendations and in compliance with City of Rockwall Ordinances.
- It is the responsibility of the Contractor to locate and/or establish a benchmark prior to construction and maintain the benchmark during construction.
- The locations of all utilities indicated on the plans are taken from available public records. The exact location and depth of all utilities indicated must be determined by the Contractor. It shall be the duty of the Contractor to ascertain whether any additional facilities other than those shown on the plans may be present.
- All fill shall be compacted with sheepfoot roller.
- Positive drainage shall be provided away from all foundations and structures.
- See additional notes Sheet C6.

LEGEND

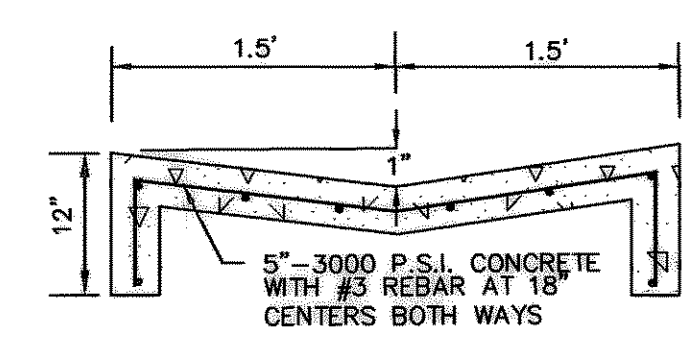
- 530- EXISTING CONTOURS
- 530 PROPOSED CONTOURS
- TC 30.1 EX. SPOT ELEVATION
- 30.1 PROP. SPOT ELEVATION
- FLOW DIRECTION
- - - VALLEY
- - - DRAINAGE DIVIDE
- TC TOP OF CURB
- TP TOP OF PAVEMENT
- G GUTTER
- F FINISHED GRADE
- FL FLOW LINE

BENCHMARK: CENTER RIM OF EX. SANITARY SEWER MANHOLE LOCATED ON THE NORTHEAST SIDE OF STATE HIGHWAY 205 AND CENTERLINE EXTENSION OF RALPH HALL PARKWAY.
ELEV. 526.97

NOTE: BOUNDARY AND TOPOGRAPHIC INFORMATION WAS SUPPLIED BY OWNER AND SURVEYS PERFORMED BY OTHERS. DESIGN ENGINEER IS NOT RESPONSIBLE FOR DISCREPANCIES RESULTING BETWEEN ACTUAL SITE CONDITIONS AND TOPOGRAPHIC INFORMATION INDICATED. DESIGN ENGINEER SHOULD BE NOTIFIED IMMEDIATELY IF DISCREPANCIES ARE FOUND.



FLUME DETAIL "A"
NO SCALE



FLUME DETAIL "B"
NO SCALE

RECORD DRAWING

IMPROVEMENTS INDICATED ON THESE PLANS WHERE REVISED IN ACCORDANCE WITH THE ASBUILT SURVEY PERFORMED BY ROCKWALL SURVEYING, INC. AND PROVIDED TO BENTLEY ENGINEERING, INC. ON 06/20/06.
DATE: JUNE 23, 2006