

BENCHMARK #1

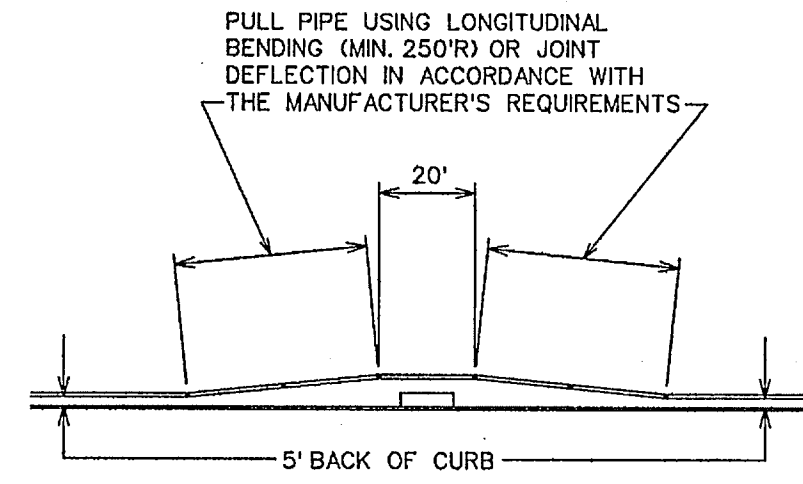
PK NAIL FOUND IN CENTER OF S. JOHN KING BLVD.
20' ± NORTH OF MEDIAN OPENING NEAR NORTHWEST
CORNER OF PROPERTY.

ELEV. -564.12
N. 7021747.513
E. 2602779.713

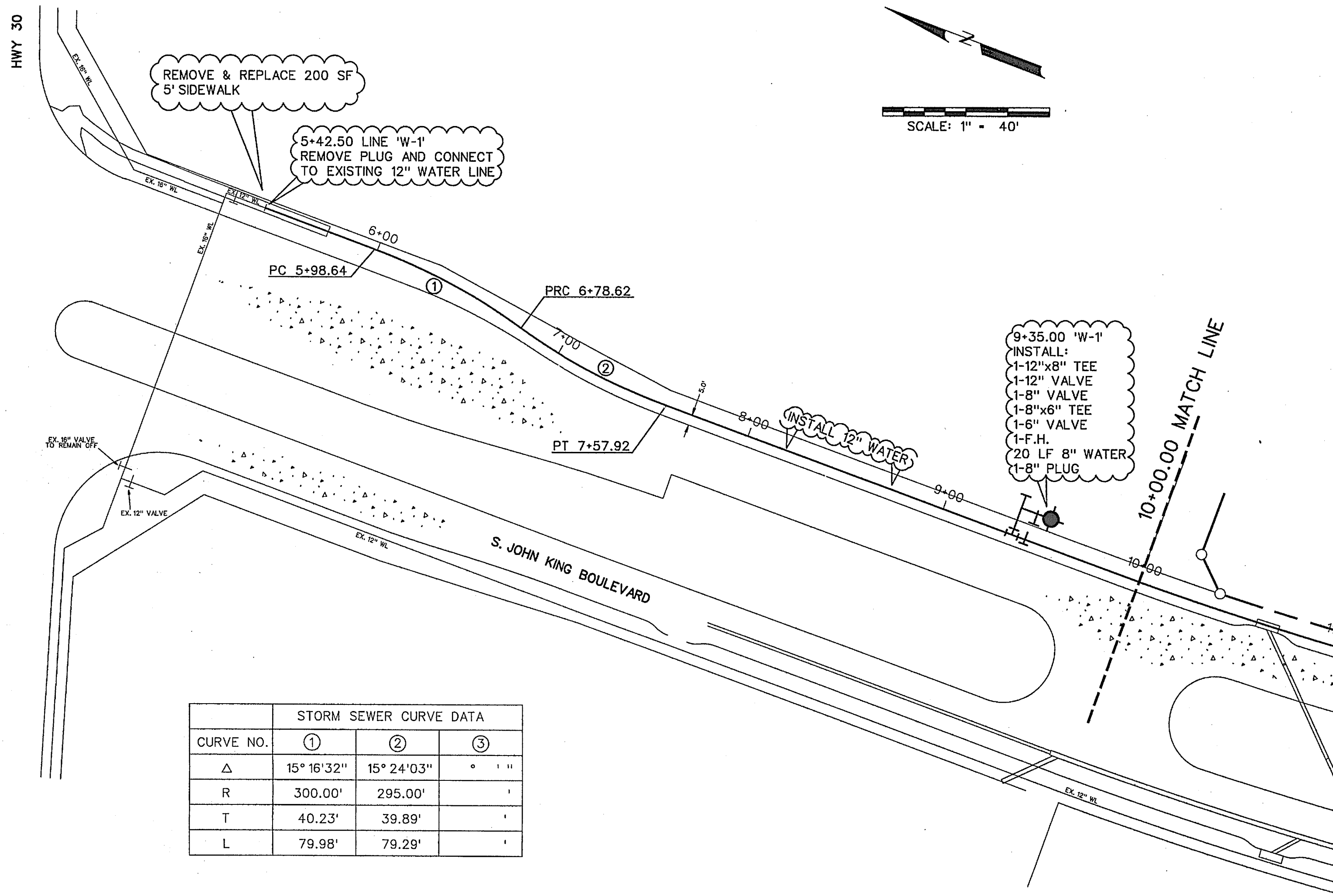
BENCHMARK #2

"X" FOUND ON NORTH END OF TOP OF HEADWALL ON
WEST SIDE OF S. JOHN KING BLVD. AT BUFFALO CREEK.

ELEV. -550.82
N. 7020725.306
E. 2602982.310



WATER LINE AT INLET DETAIL
N.T.S.



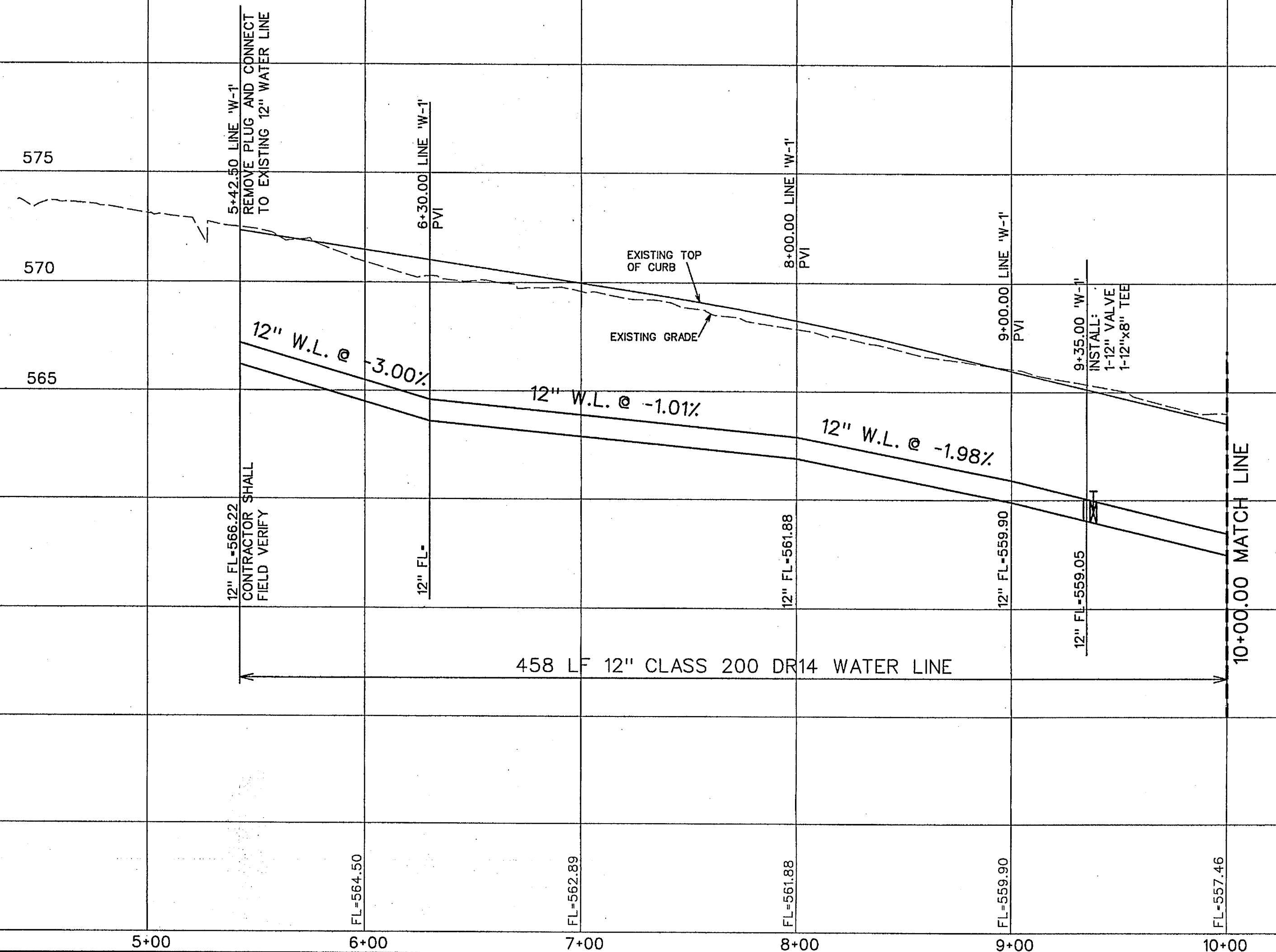
STORM SEWER CURVE DATA			
CURVE NO.	①	②	③
Δ	15° 16' 32"	15° 24' 03"	0° 11'
R	300.00'	295.00'	'
T	40.23'	39.89'	'
L	79.98'	79.29'	'

NOTE:

CONTRACTOR SHALL PULL PIPE AROUND EXISTING INLETS. 2' SEPARATION BETWEEN EDGE OF PIPE AND EXISTING INLET.

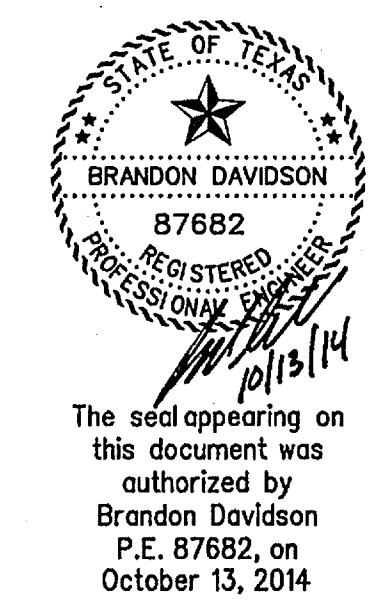
NOTE:

CONTRACTOR SHALL VERIFY ALL EXISTING UTILITIES PRIOR TO CONSTRUCTION. EXISTING UTILITY LOCATION AND ELEVATION ARE BASED ON AS-BUILT DRAWINGS AND MAY DIFFER IN ACTUAL LOCATION AND ELEVATION.



458 LF 12" CLASS 200 DR14 WATER LINE

AS-BUILT JULY 2015
INFORMATION PROVIDED
BY CONTRACTORS
(NOT FIELD VERIFIED)



CORWIN ENGINEERING, INC.
200 W. BELMONT, SUITE E
ALLEN, TEXAS 75013 (972)396-1200
TBPE FIRM #5951

DEVELOPMENT PLANS FOR
ROCKWALL DOWNES
PHASE 1
ROCKWALL, TEXAS

12" WATERLINE

DRAWN BY	DESIGNED BY	CHECKED BY	SHEET NO. 9 of 17
JOB NUMBER 14046	DATE SEPTEMBER 2014	SCALE: HOR: 1"=40' VER: 1"=4'	