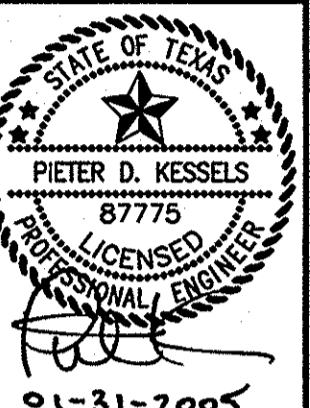


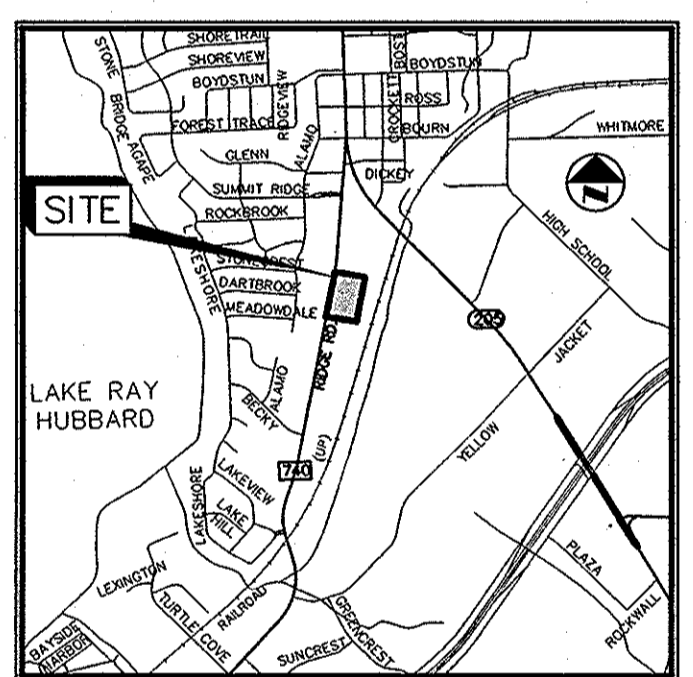
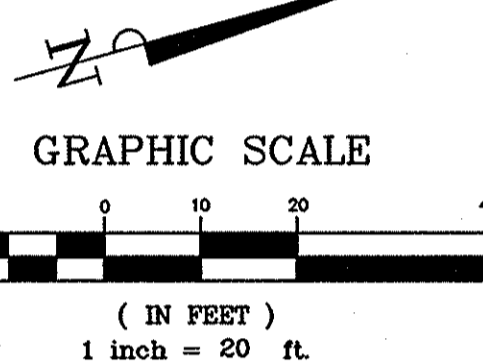
REV.	DATE	DESCRIPTION
1/31/05		REVISED ENTRANCE LOCATIONS

Kimley-Horn and Associates, Inc.
 9300 Wade Boulevard, Suite 320
 Frisco, Texas 75035
 Tel. No. (972) 335-3660
 Fax No. (972) 335-3779



**ROCKWALL COMMONS
 MIXED USE TRACT
 CITY OF ROCKWALL, TEXAS**

**RIDGE ROAD
 PAVING
 IMPROVEMENTS**

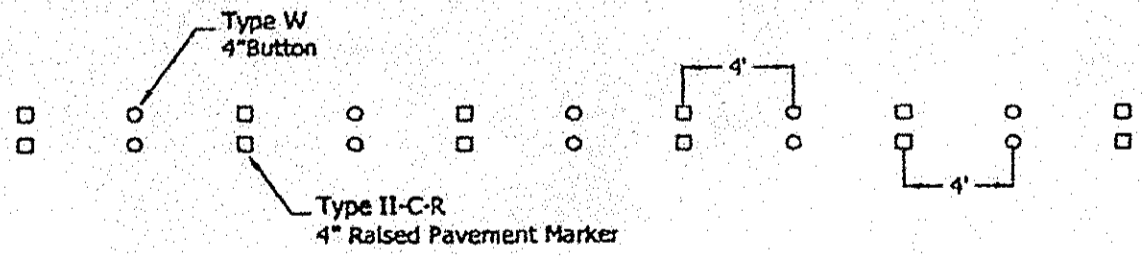


VICINITY MAP
N.T.S.

MATCHLINE

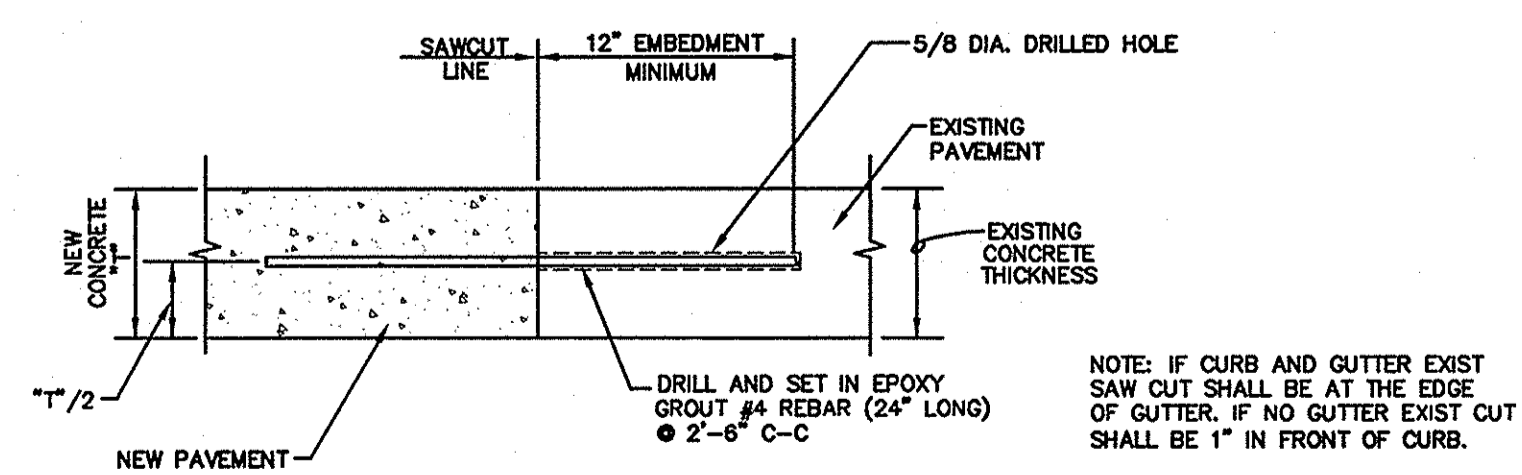
MATCHLINE

THE CONTRACTOR SHALL FIELD VERIFY THE HORIZONTAL AND VERTICAL LOCATIONS OF ALL EXISTING UTILITIES PRIOR TO START OF CONSTRUCTION AND SHALL NOTIFY THE CONSTRUCTION MANAGER AND ENGINEER OF ANY CONFLICTS DISCOVERED. CONTRACTOR IS RESPONSIBLE FOR PROTECTING EXISTING UTILITIES (SHOWN OR NOT SHOWN) WITHIN SCOPE OF CONSTRUCTION. IF ANY EXISTING UTILITIES ARE DAMAGED, THE CONTRACTOR SHALL REPLACE THEM AT HIS OWN EXPENSE. CALL 1-800-DIG-TESS AT LEAST 72 HOURS PRIOR TO COMMENCING CONSTRUCTION IN VICINITY.

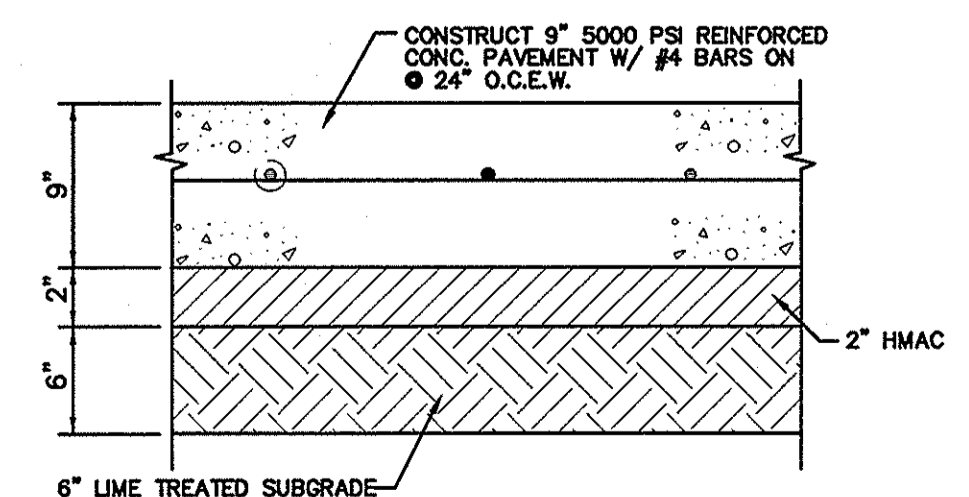


TURN BAY LINE

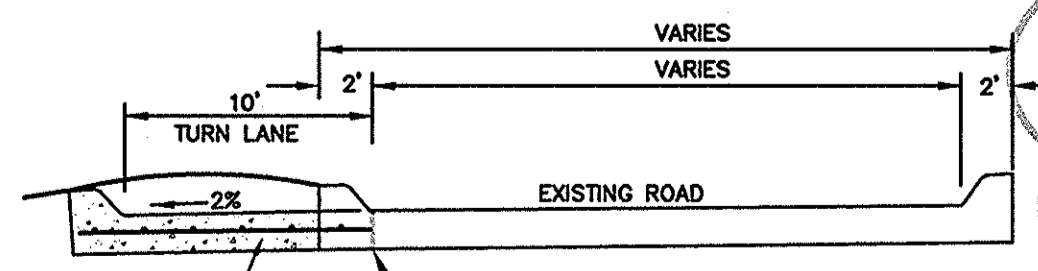
SEE SHEET C-1 FOR CONSTRUCTION NOTES



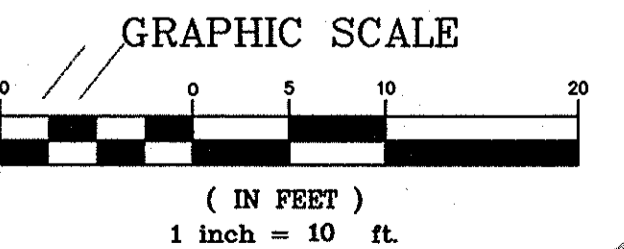
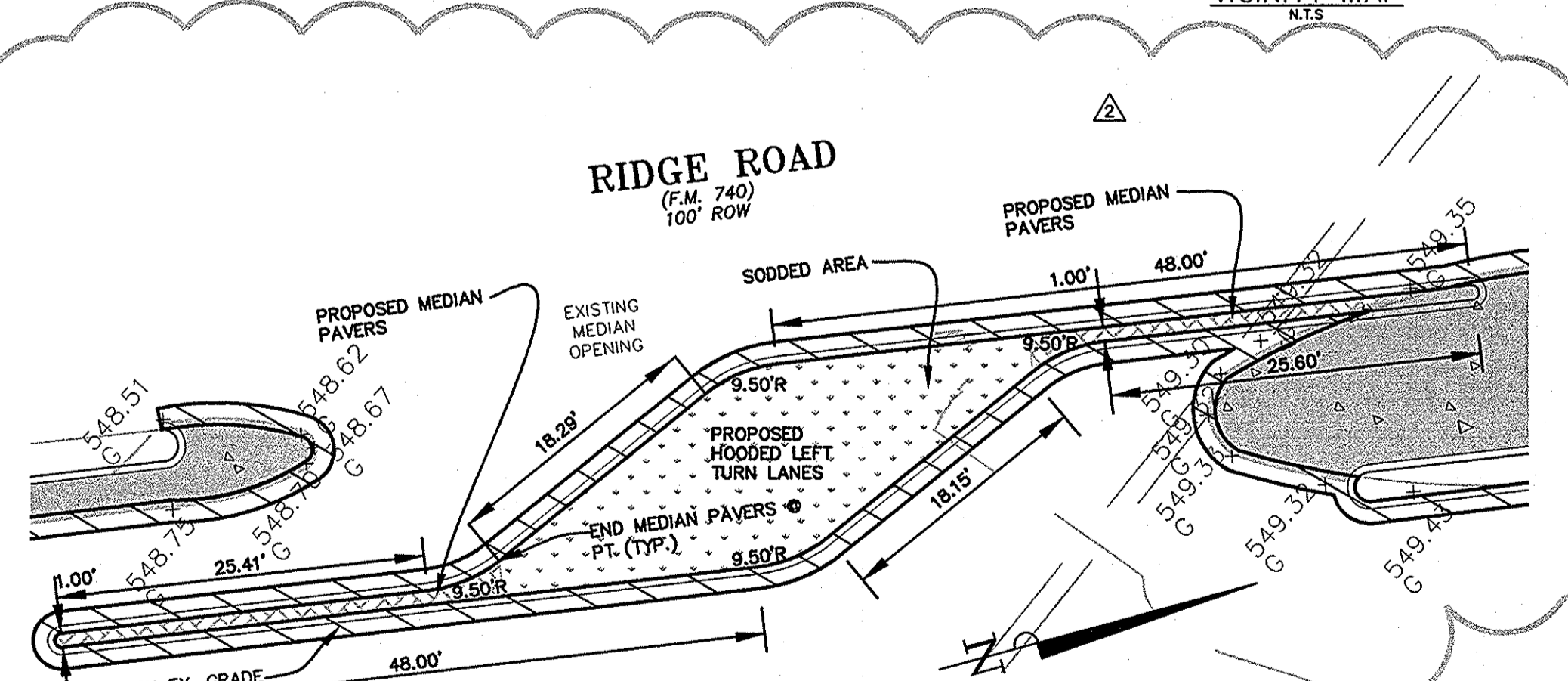
**TxDOT-DOWEL INTO EXISTING
 CONCRETE PAVEMENT**
 NOT TO SCALE



**TxDOT TYPICAL F.M. 740
 PAVEMENT SECTION**
 NOT TO SCALE



SAWCUT
 NOT TO SCALE



LEGEND

TxDOT HEAVY DUTY CONCRETE PAVEMENT
 9\"-5000 PSI (MIN.) REINFORCED CONCRETE PAVEMENT WITH NO. 4 BARS ON 24\" O.C.E.W. ON 2\" H.M.A.C. AND 6\" LIME STABILIZED SUBGRADE.

RECORD DRAWING
 THIS RECORD DRAWING HEREIN REFLECTS TO THE BEST OF THE DESIGN ENGINEER'S KNOWLEDGE, THE APPROXIMATE LOCATION OF THE CONSTRUCTED WORK, USING INFORMATION AS PROVIDED BY THE CONTRACTORS AND SURVEYED GRADES.

BENCHMARKS:
 ROCKWALL MONUMENT R500-1: CONC. MONUMENT IN CENTER MEDIAN OF SUMMIT RIDGE DRIVE, WEST OF RIDGE RD. ELEV: 578.63
 '1' SET IN MEDIAN NOSE RIDGE ROAD ±193 FEET SOUTH OF SW PROPERTY CORNER. ELEV: 546.15
 '1' SET ON INLET WEST CURB LINE RIDGE ROAD, ±155 SOUTH OF NW PROPERTY CORNER. ELEV: 553.07

Scale: AS SHOWN
 Designed by: P.D.K.
 Drawn by: P.D.K.
 Checked by: P.D.K.
 Date: 05/25/04
 Project No.: 067051007

SHEET
 C-3
 OF 24