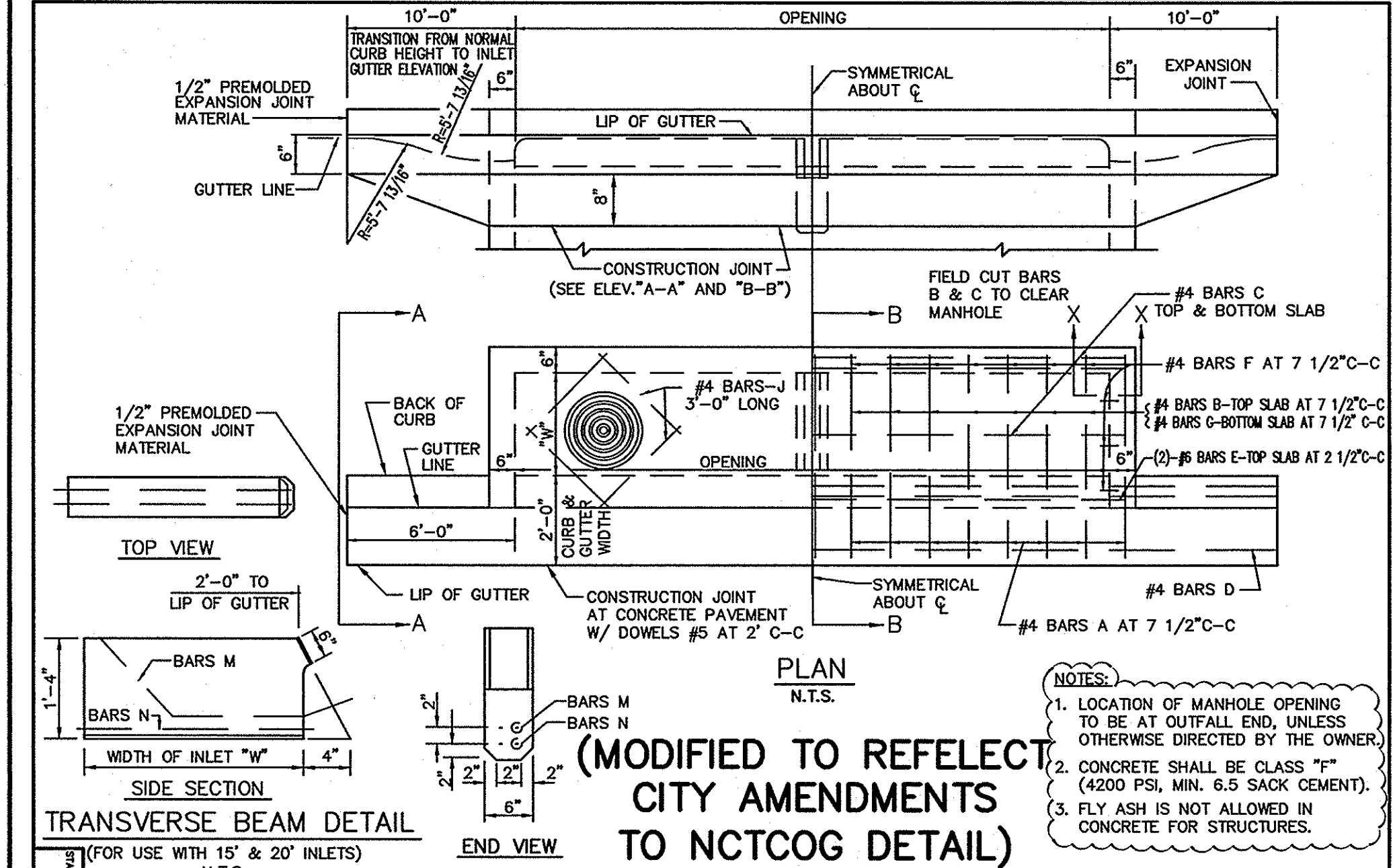


SUMMARY OF QUANTITIES FOR CURB INLETS

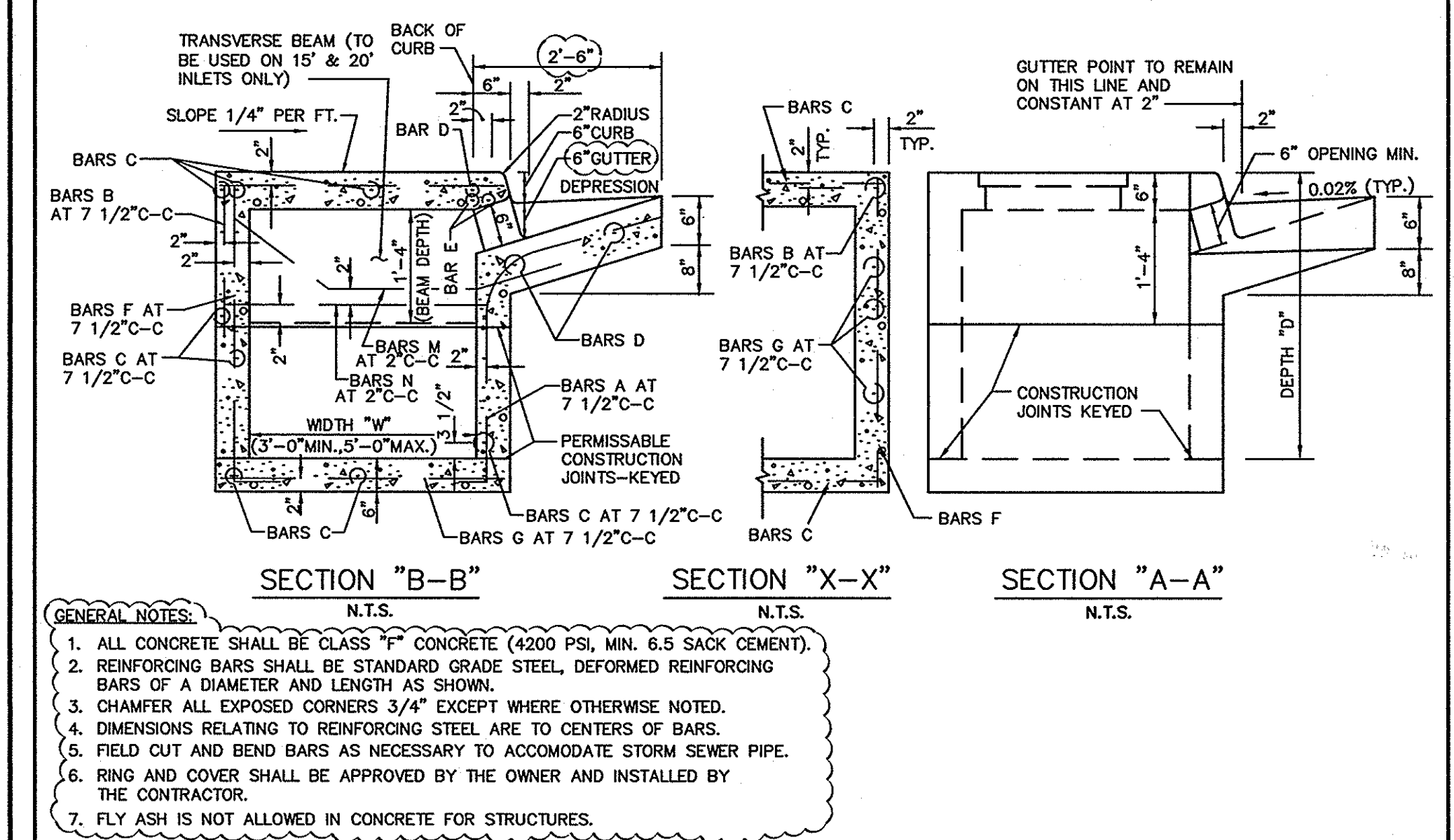
DEPTH "D"	5'-0" OPENING				10'-0" OPENING				15'-0" OPENING				20'-0" OPENING			
	CONC. STEEL	CONC. STEEL	CONC. STEEL	CONC. STEEL	CONC. STEEL	CONC. STEEL	CONC. STEEL	CONC. STEEL	CONC. STEEL	CONC. STEEL	CONC. STEEL	CONC. STEEL	CONC. STEEL	CONC. STEEL	CONC. STEEL	CONC. STEEL
3'-6"	2.62	3.06	2.95	3.32	3.28	3.73	4.12	4.79	4.64	5.20	5.64	5.69	6.40	7.21	7.10	7.75
3'-9"	2.70	3.09	3.04	3.41	3.39	3.73	4.25	4.94	4.78	5.36	5.34	5.79	5.87	6.58	7.41	7.30
4'-0"	2.78	3.28	3.14	3.64	3.49	3.99	4.38	5.18	4.92	5.65	5.49	6.10	6.05	7.18	7.49	8.35
4'-3"	2.87	3.34	3.23	3.70	3.59	4.06	4.51	5.26	5.06	5.73	5.64	6.19	6.22	7.29	7.69	8.47
4'-6"	2.95	3.56	3.32	3.94	3.69	4.31	4.64	5.58	5.20	6.07	5.79	6.56	6.40	7.70	8.30	9.04
4'-9"	3.03	3.61	3.41	4.10	3.79	4.38	4.77	5.66	5.34	6.16	5.94	6.65	6.57	7.80	8.41	9.03
5'-0"	3.12	3.67	3.51	4.16	3.90	4.45	4.90	5.74	5.47	6.24	6.09	6.74	6.75	7.91	8.53	9.15
5'-3"	3.20	3.83	3.60	4.24	4.00	4.65	5.03	6.00	5.61	6.52	6.23	7.04	6.93	8.27	8.90	9.46
5'-6"	3.28	3.89	3.69	4.30	4.10	4.72	5.16	6.08	5.75	6.81	6.38	7.13	7.11	8.57	9.01	9.68
5'-9"	3.37	4.05	3.78	4.51	4.20	4.86	5.29	6.35	5.89	6.90	6.53	7.44	7.28	8.74	9.07	9.40
6'-0"	3.45	4.15	3.88	4.60	4.30	5.04	5.42	6.46	6.03	7.02	6.68	7.57	7.45	8.88	9.25	9.54
6'-3"	3.53	4.25	3.97	4.70	4.41	5.15	5.55	6.61	6.17	7.18	6.83	7.73	7.63	9.08	9.44	9.75
6'-6"	3.62	4.37	4.06	4.86	4.51	5.32	5.68	6.81	6.31	7.39	6.97	7.97	7.81	9.35	9.62	10.05
6'-9"	3.70	4.41	4.15	4.90	4.61	5.37	5.81	6.88	6.45	7.47	7.12	8.06	7.98	9.45	9.81	10.15
7'-0"	3.78	4.60	4.25	5.10	4.71	5.60	5.94	7.16	6.59	7.77	7.27	8.37	8.16	9.81	10.53	10.82
7'-3"	3.86	4.65	4.34	5.16	4.81	5.67	6.07	7.24	6.72	7.85	7.42	8.46	8.33	9.92	10.68	10.97
7'-6"	3.95	4.77	4.43	5.29	4.91	5.70	6.20	7.42	6.86	8.04	7.57	8.66	8.51	10.16	10.96	11.21
7'-9"	4.03	4.91	4.53	5.44	5.02	5.97	6.33	7.62	7.00	8.26	7.71	8.90	8.67	10.41	11.21	11.46
8'-0"	4.12	4.96	4.62	5.54	5.12	6.04	6.46	7.70	7.14	8.34	7.86	8.99	8.86	10.51	11.29	11.54
8'-3"	4.20	5.04	4.71	5.59	5.22	6.13	6.59	7.84	7.28	8.49	8.01	9.15	9.04	10.69	11.49	11.74
8'-6"	4.28	5.19	4.80	5.76	5.32	6.32	6.71	8.04	7.42	8.71	8.16	9.38	9.21	11.07	11.90	12.15
8'-9"	4.37	5.28	4.90	5.86	5.42	6.43	6.84	8.19	7.58	8.88	8.31	9.54	9.39	11.19	12.02	12.27
9'-0"	4.45	5.45	4.99	6.05	5.53	6.64	6.97	8.42	7.70	9.12	8.46	9.82	9.56	11.48	12.31	12.56
9'-3"	4.53	5.54	5.08	6.14	5.63	6.74	7.10	8.58	7.84	9.29	8.60	9.99	9.74	11.69	12.52	12.77
9'-6"	4.62	5.68	5.17	6.30	5.73	6.92	7.23	8.78	7.97	9.50	8.75	10.22	9.92	11.84	12.67	12.92
9'-9"	4.70	5.82	5.36	6.45	5.93	7.08	7.49	9.00	8.11	9.74	9.05	10.48	10.27	12.07	12.90	13.15

NOTE:
FOR CONVENIENCE, DEPTHS OF INLETS SHOWN IN ABOVE TABLES ARE IN INCREMENTS OF 3 INCHES BUT ANY DEPTHS OTHER THAN THOSE SHOWN ABOVE MAY BE USED WHEREVER DEEMED NECESSARY. QUANTITIES FOR OTHER DEPTHS FALLING WITHIN THE LIMITS OF THE TABLE MAY BE FOUND BY INTERPOLATION.

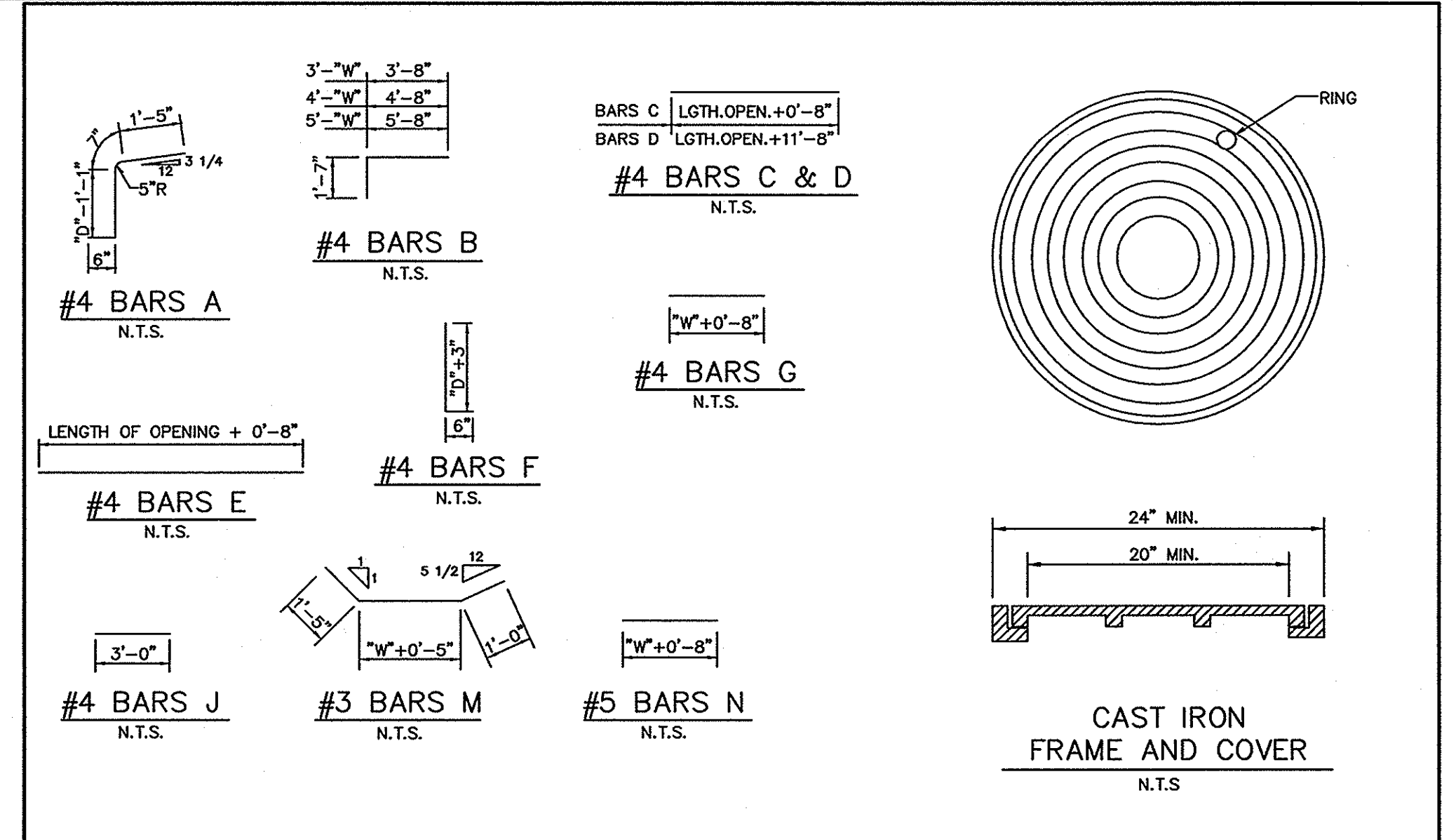
6020E	CURB INLET	North Central Texas Council of Governments	STANDARD SPECIFICATION REFERENCE	7.6.
	SUMMARY OF QUANTITIES		DATE	NOV. '96
			STANDARD DRAWING NO.	6020E



6020A	CURB INLET	North Central Texas Council of Governments	STANDARD SPECIFICATION REFERENCE	7.6.
	5', 10', 15' OR 20' OPENING		DATE	NOV. '96
			STANDARD DRAWING NO.	6020A



6020B	CURB INLET	North Central Texas Council of Governments	STANDARD SPECIFICATION REFERENCE	7.6.
	CROSS SECTION & INLET THROAT		DATE	NOV. '96
			STANDARD DRAWING NO.	6020B



6020C	CURB INLET	North Central Texas Council of Governments	STANDARD SPECIFICATION REFERENCE	7.6.
	REBAR & M.H. FRAME & COVER		DATE	NOV. '96
			STANDARD DRAWING NO.	6020C

DEPTH "D"	BILL OF REINFORCING STEEL																								
	OPENING LENGTH "L" = 5 ft				OPENING LENGTH "L" = 10 ft				OPENING LENGTH "L" = 15 ft				OPENING LENGTH "L" = 20 ft												
C	Widths "W"			Widths "W"			Widths "W"			Widths "W"			Widths "W"												
	3 ft	4 ft	5 ft	3 ft	4 ft	5 ft	3 ft	4 ft	5 ft	3 ft	4 ft	5 ft	3 ft	4 ft	5 ft										
3'-6"	17	3	2	24	28	10	20	28	32	36	18	28	36	40	44	28	36	2	44	48	52	34	44	2	2
3'-9"	18	3	2	24	28	10	20	28	32	36	18	28	36	40	44	28	36	2	44	48	52	34	44	2	2
4'-0"	19	3	2	24	28	10	20	28	32	36	18	28	36	40	44	28	36	2	44	48	52	34	44	2	2
4'-3"	19	3	2	24	28	10	20	28	32	36	18	28	36	40	44	28	36	2	44	48	52	34	44	2	2
4'-6"	21	3	2	24	28	10	20	28	32	36	18	28	36	40	44	28	36	2	44	48	52	34	44	2	2
4'-9"	21	3	2	24	28	10	20	28	32	36	18	28	36	40	44	28	36	2	44	48	52	34	44	2	2
5'-0"	21	3	2	24	28	10	20	28	32	36	18	28	36	40	44	28	36	2	44	48	52	34	44	2	2
5'-3"	23	3	2	24	28	10	20	28	32	36	18	28	36	40	44	28	36	2	44	48	52	34	44	2	2
5'-6"	23	3	2	24	28	10	20	28	32	36	18	28	36	40	44	28	36	2	44	48	52	34	44	2	2
5'-9"	25	3	2	24	28	10	20	28	32	36	18	28	36	40	44	28	36	2	44	48	52	34	44	2	2
6'-0"	25	3	2	24	28	10	20	28	32	36	18	28	36	40	44	28	36	2	44	48	52	34	44	2	2
6'-3"	28	3	2	24	28	10	20	28	32	36	18	28	36	40	44	28	36	2	44	48	52	34	44	2	2
6'-6"	27	3	2	24	28	10	20	28	32	36	18	28	36	40	44	28	36	2	44	48	52	34	44	2	2
6'-9"	27	3	2	24	28	10	20	28	32	36	18	28	36	40	44	28	36	2	44	48	52	34	44	2	2
7'-0"	29	3	2	24	28	10	20	28	32	36	18	28	36	40	44	28	36	2	44	48	52	34	44	2	2
7'-3"	29	3	2	24	28	10	20	28	32	36	18	28	36	40	44	28	36	2	44	48	52	34	44	2	2
7'-6"	30	3	2	24	28	10	20	28	32	36	18	28	36	40	44	28	36	2	44	48	52	34	44	2	2
7'-9"	31	3	2	24	28	10	20	28	32	36	18	28	36	40	44	28	36	2	44	48	52	34	44	2	2
8'-0"	31	3	2	24	28	10	20	28	32	36	18	28	36	40	44	28	36	2	44	48	52	34	44	2	2
8'-3"	32	3	2	24	28	10	20	28	32	36	18	28	36	40	44	28	36	2	44	48	52	34	44	2	2
8'-6"	33	3	2	24	28	10	20	28	32	36	18	28	36	40	44	28	36	2	44	48	52	34	44	2	2
8'-9"	34	3	2	24	28	10	20	28	32	36	18	28	36	40	44	28	36	2	44	48	52	34	44	2	2
9'-0"	35	3	2	24	28	10	20	28	32	36	18	28	36	40	44	28	36	2	44	48	52	34	44	2	2
9'-3"	36	3	2	24	28	10	20	28	32	36	18	28	36	40	44	28	36	2	44	48	52	34	44	2	2
9'-6"	37	3	2	24	28	10	20	28	32	36	18	28	36	40	44	28	36	2	44	48	52	34	44	2	2
10'-0"	38	3	2	24	28	10	20	28	32	36	18	28	36	40	44	28	36	2	44	48	52	34	44	2	2

6020D	CURB INLET	North Central Texas Council of Governments	STANDARD SPECIFICATION REFERENCE	7.6.
	BILL OF REINFORCING STEEL		DATE	NOV. '96
			STANDARD DRAWING NO.	6020D

