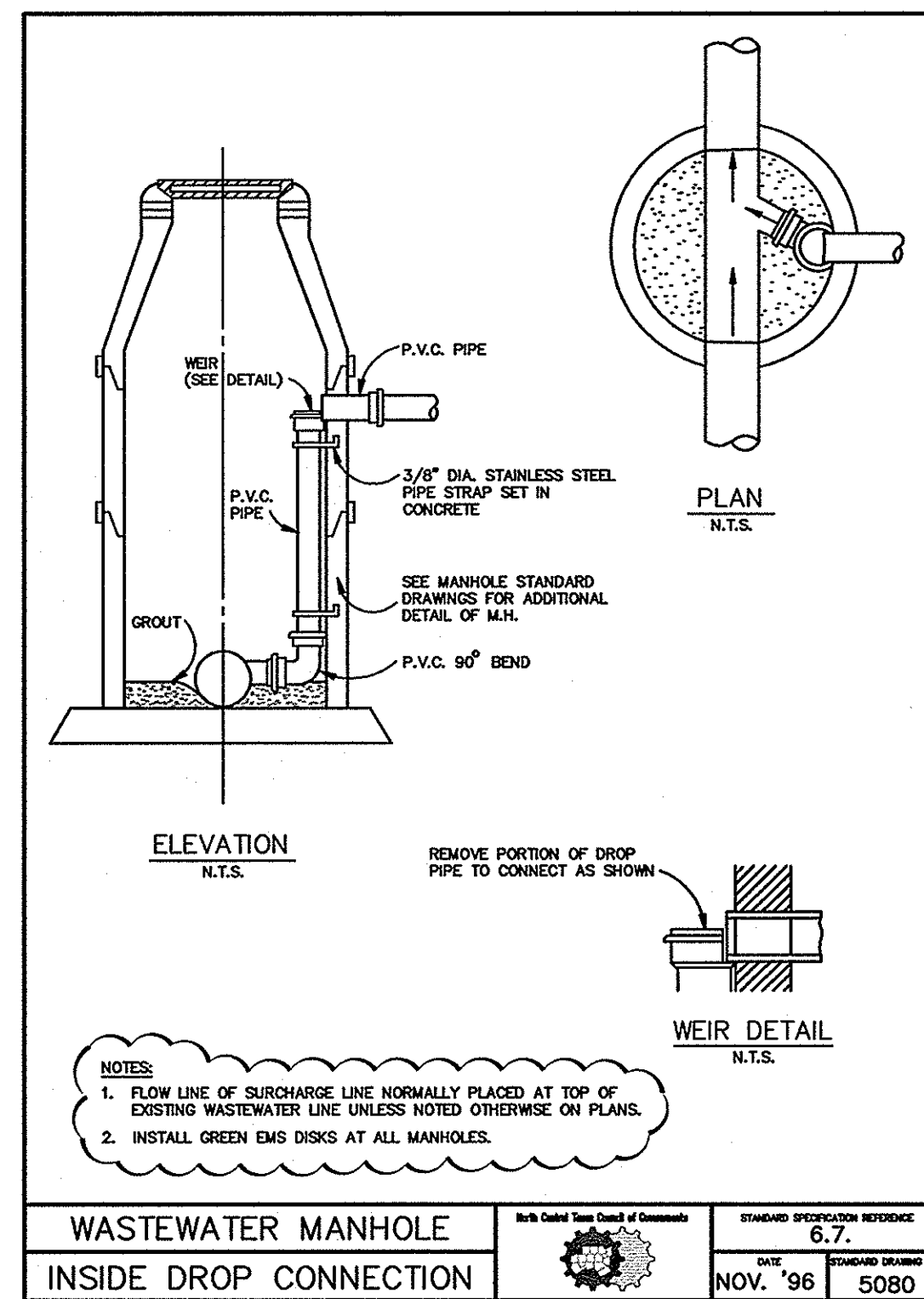
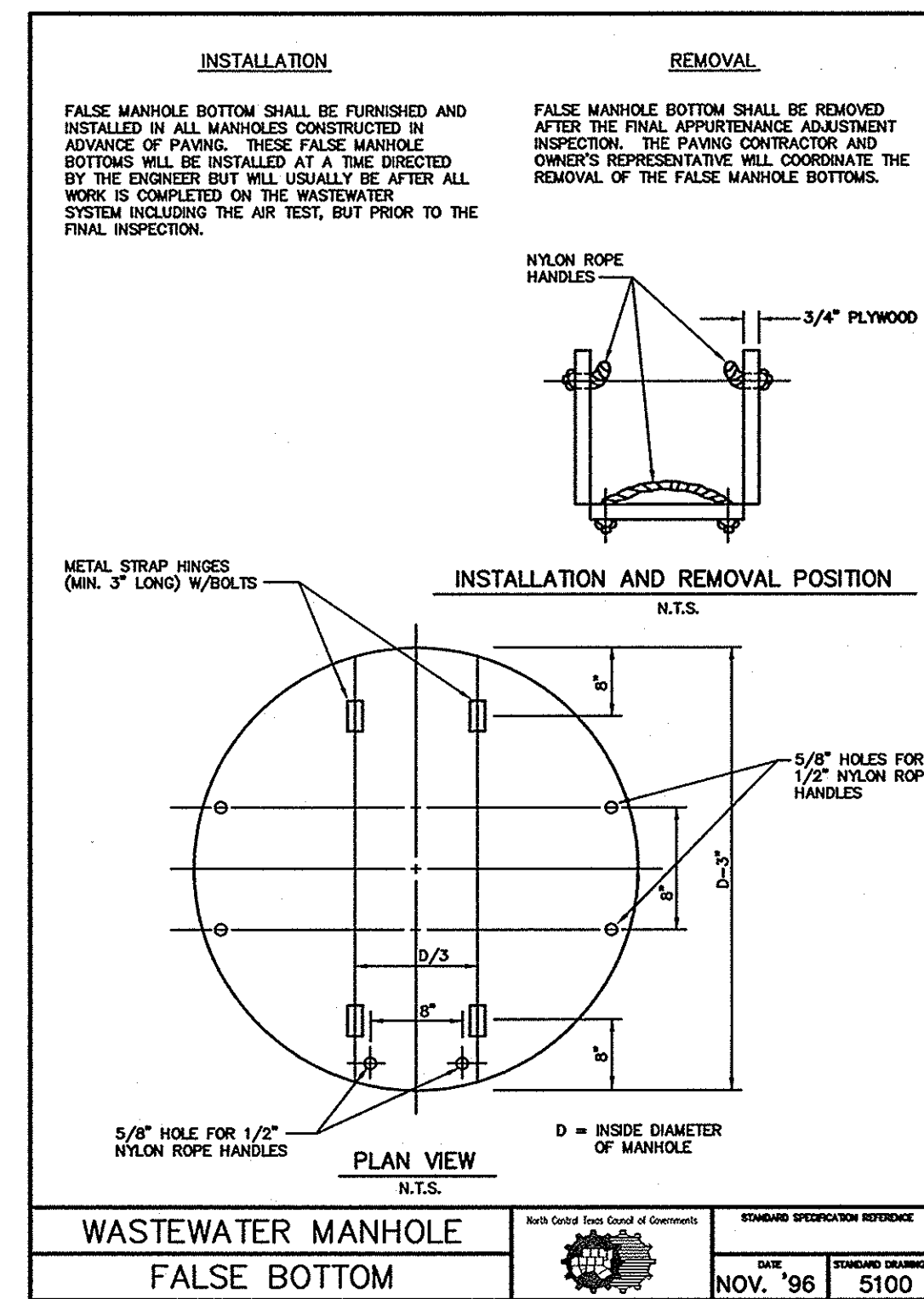


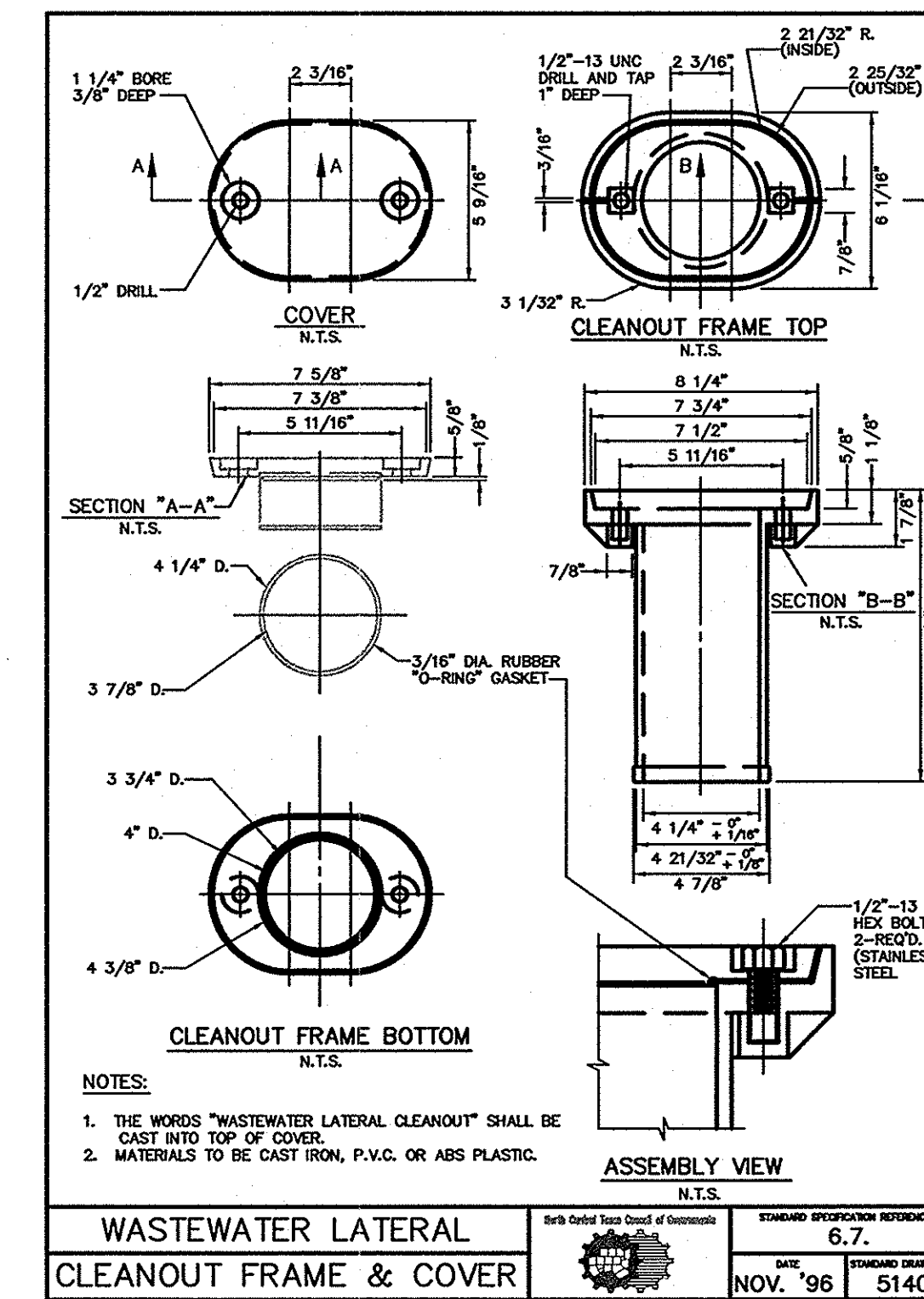
(MODIFIED TO REFLECT CITY AMENDMENTS TO NCTCOG DETAIL)



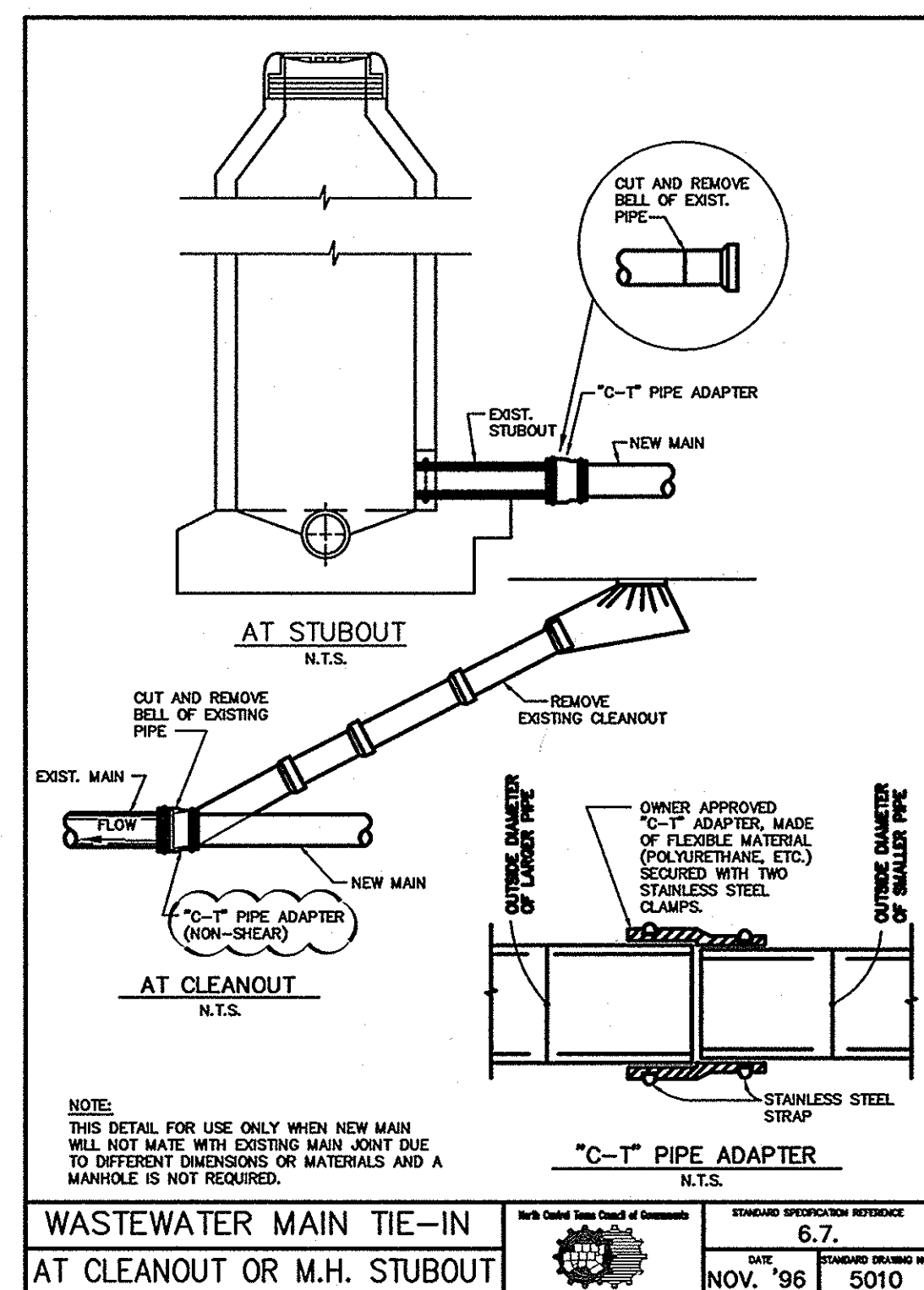
(MODIFIED TO REFLECT CITY AMENDMENTS TO NCTCOG DETAIL)



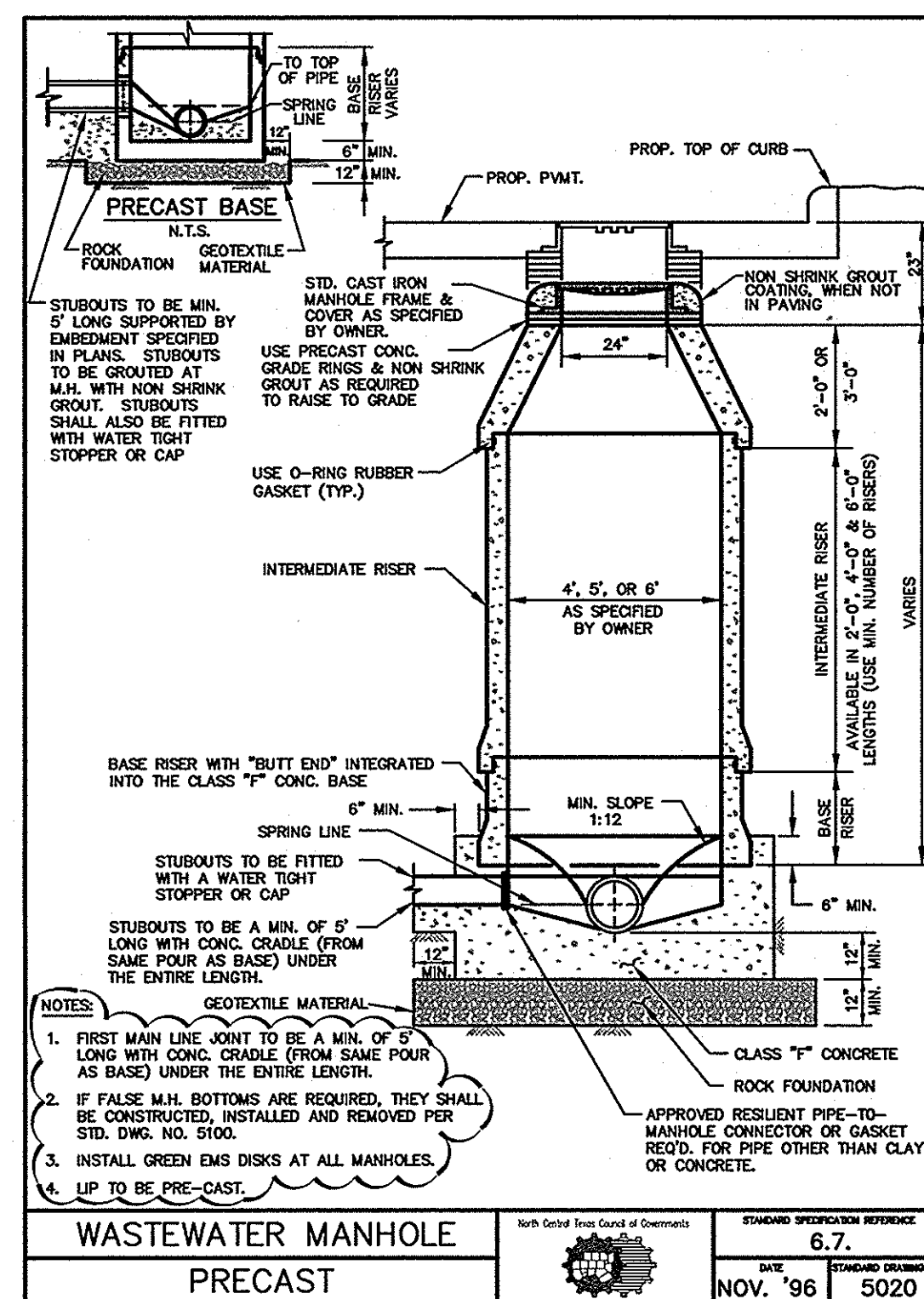
(MODIFIED TO REFLECT CITY AMENDMENTS TO NCTCOG DETAIL)



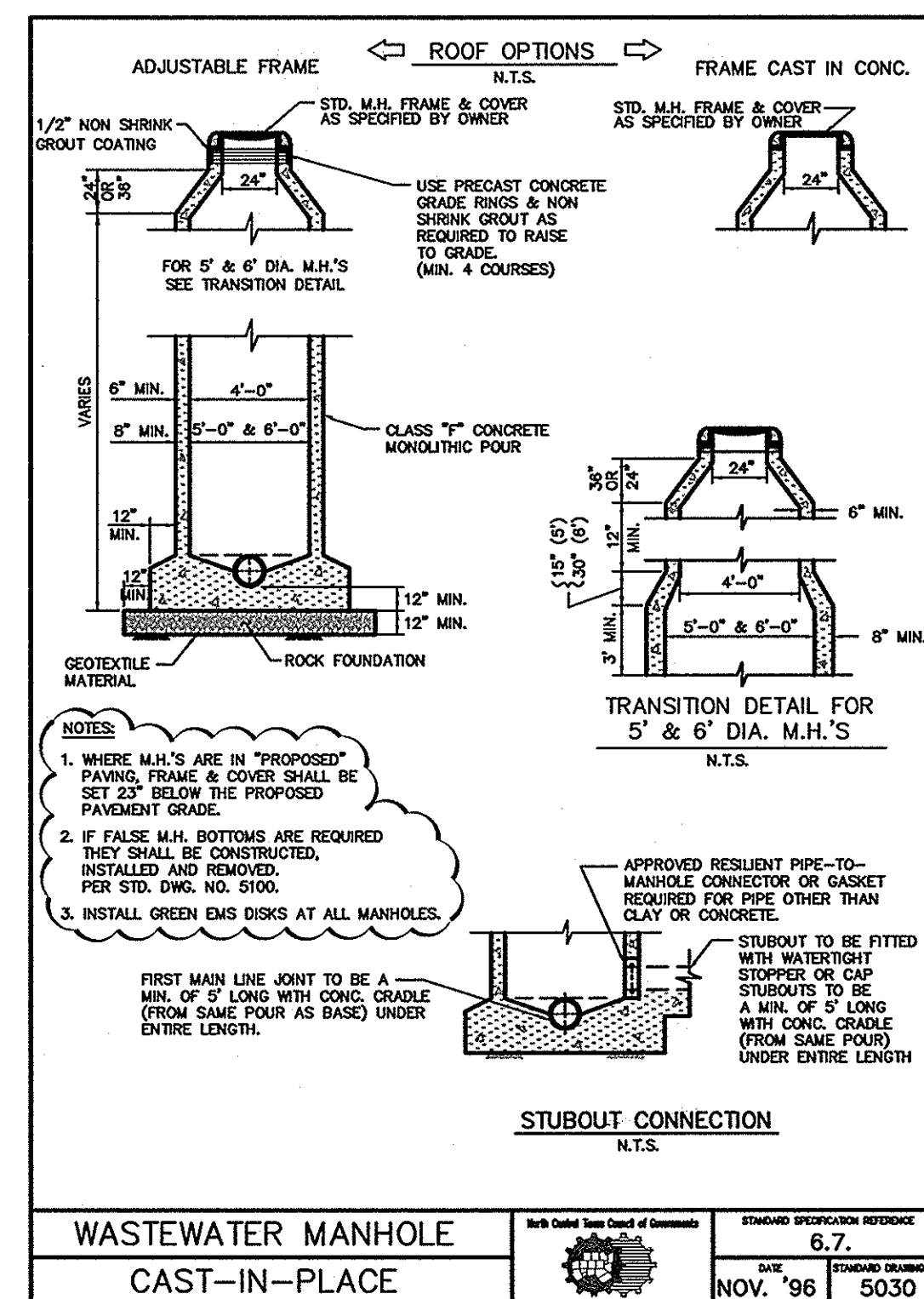
(MODIFIED TO REFLECT CITY AMENDMENTS TO NCTCOG DETAIL)



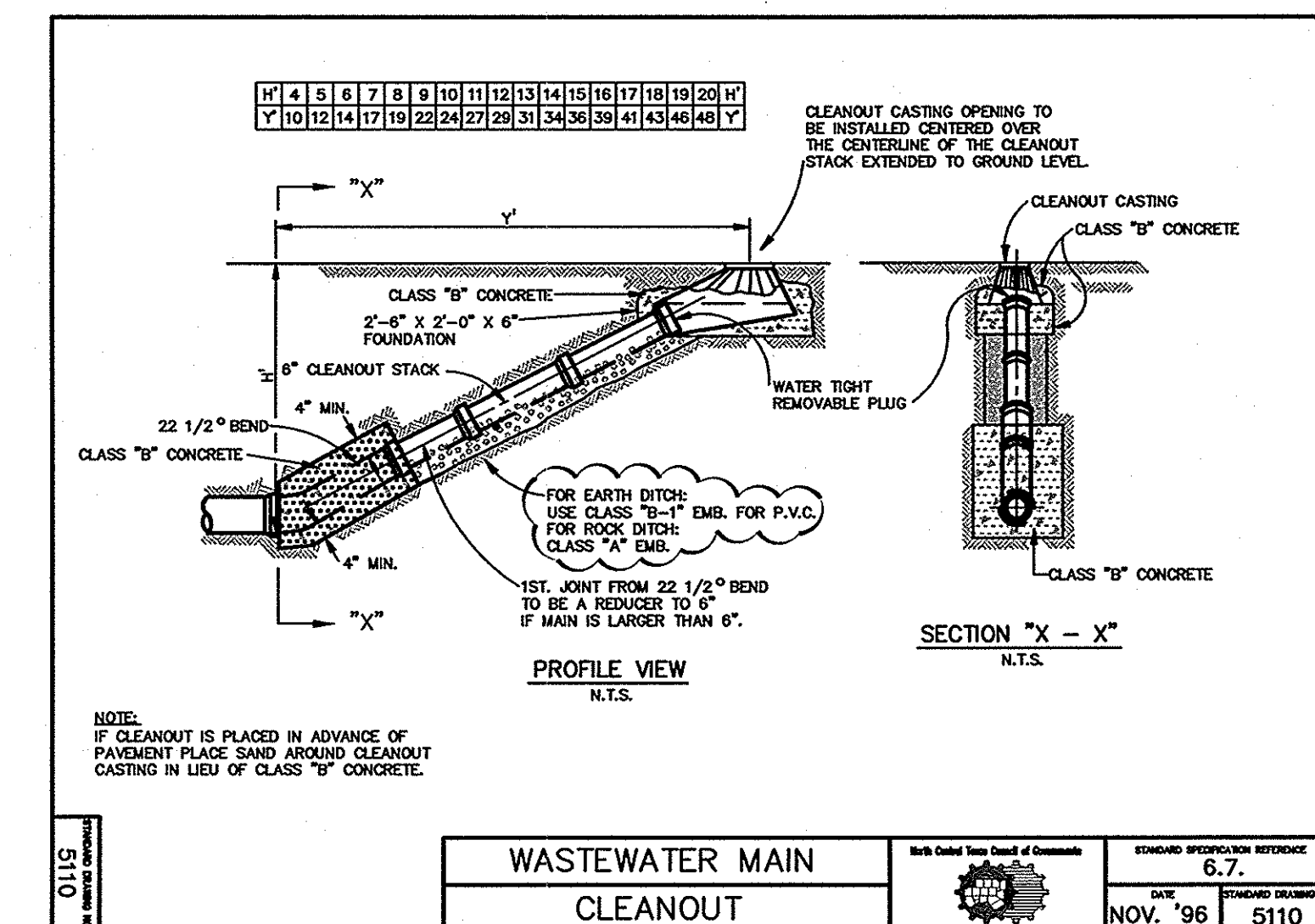
(MODIFIED TO REFLECT CITY AMENDMENTS TO NCTCOG DETAIL)



(MODIFIED TO REFLECT CITY AMENDMENTS TO NCTCOG DETAIL)



(MODIFIED TO REFLECT CITY AMENDMENTS TO NCTCOG DETAIL)



(MODIFIED TO REFLECT CITY AMENDMENTS TO NCTCOG DETAIL)

RECORD DRAWING
 THIS RECORD DRAWING HEREIN REFLECTS TO THE BEST OF THE DESIGN ENGINEER'S KNOWLEDGE, THE APPROXIMATE LOCATION OF THE CONSTRUCTED WORK, USING INFORMATION AS PROVIDED BY THE CONTRACTORS AND SURVEYED GRADES.

- NOTES:**
- REFERENCE CITY OF ROCKWALL STANDARD DRAWINGS FOR ALL OTHER APPLICABLE DETAILS.
 - REFERENCE CITY OF ROCKWALL AMENDMENTS TO THE NCTCOG STANDARD DRAWINGS (AS CLOUDED ON THE MODIFIED NCTCOG STANDARD DRAWINGS SHOWN ON THIS PAGE).

