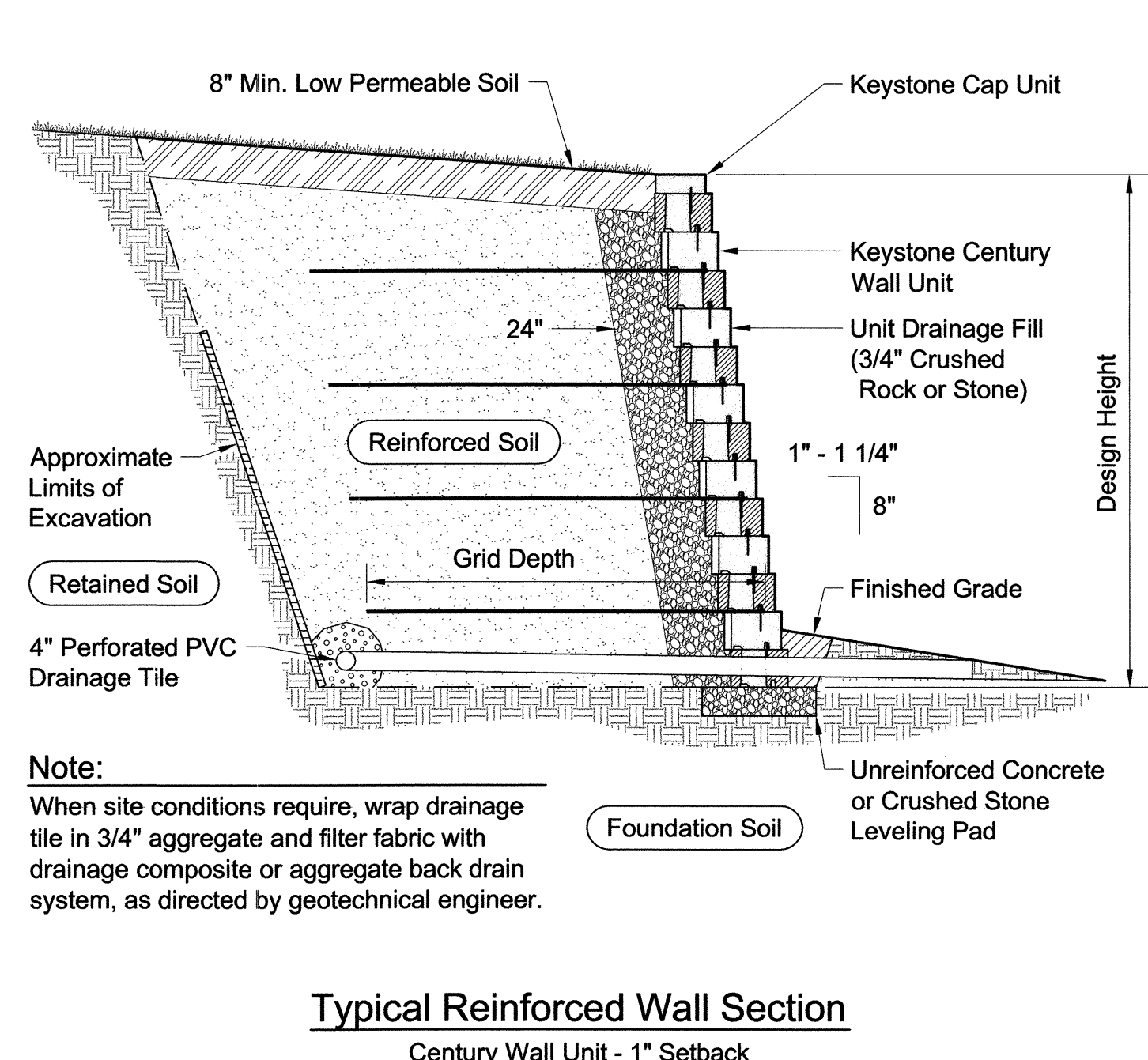
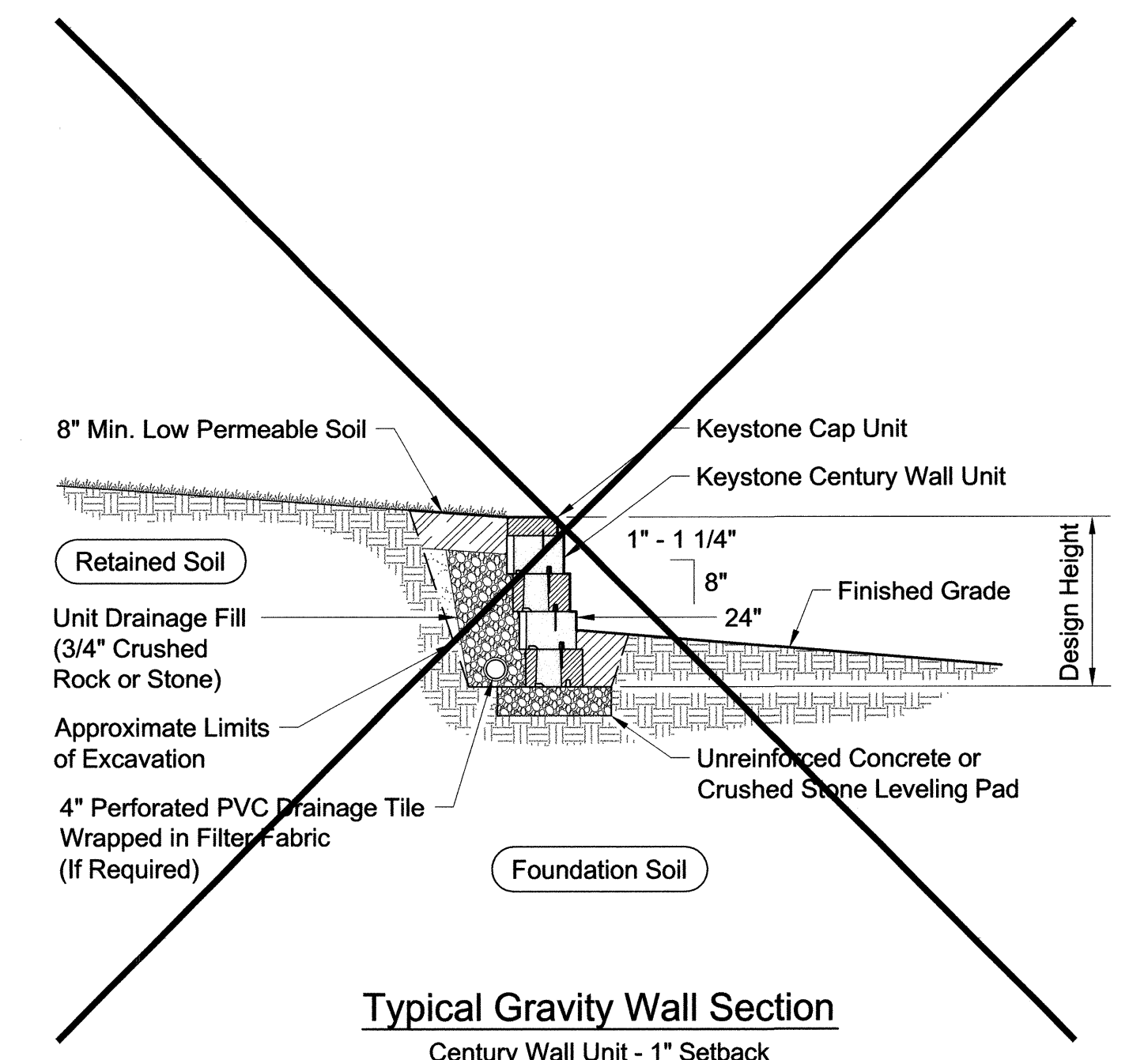


Typical Reinforced Wall Section
Century Wall Unit - Near Vertical Setback



Typical Reinforced Wall Section
Century Wall Unit - 1" Setback

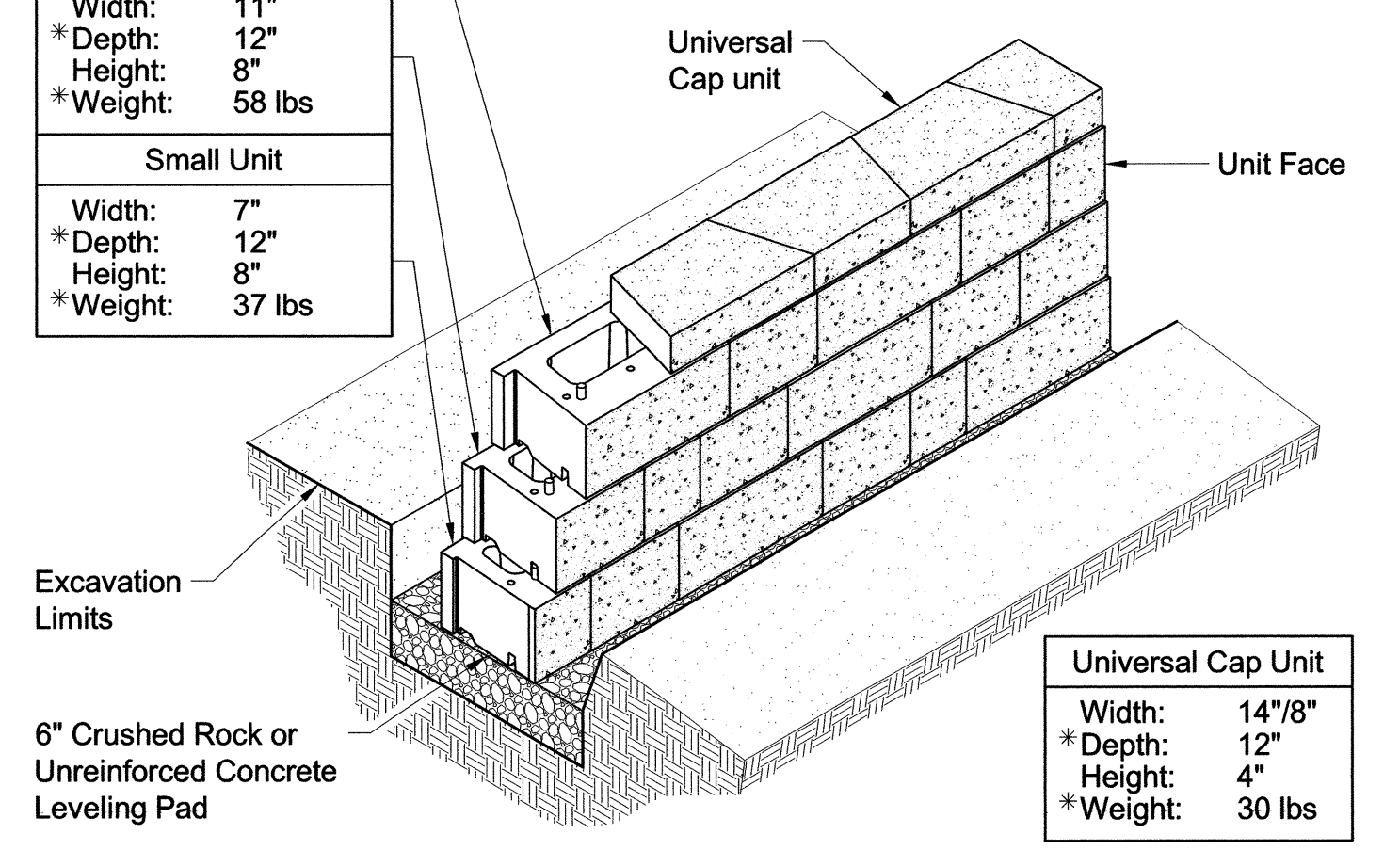


Typical Gravity Wall Section
Century Wall Unit - 1" Setback

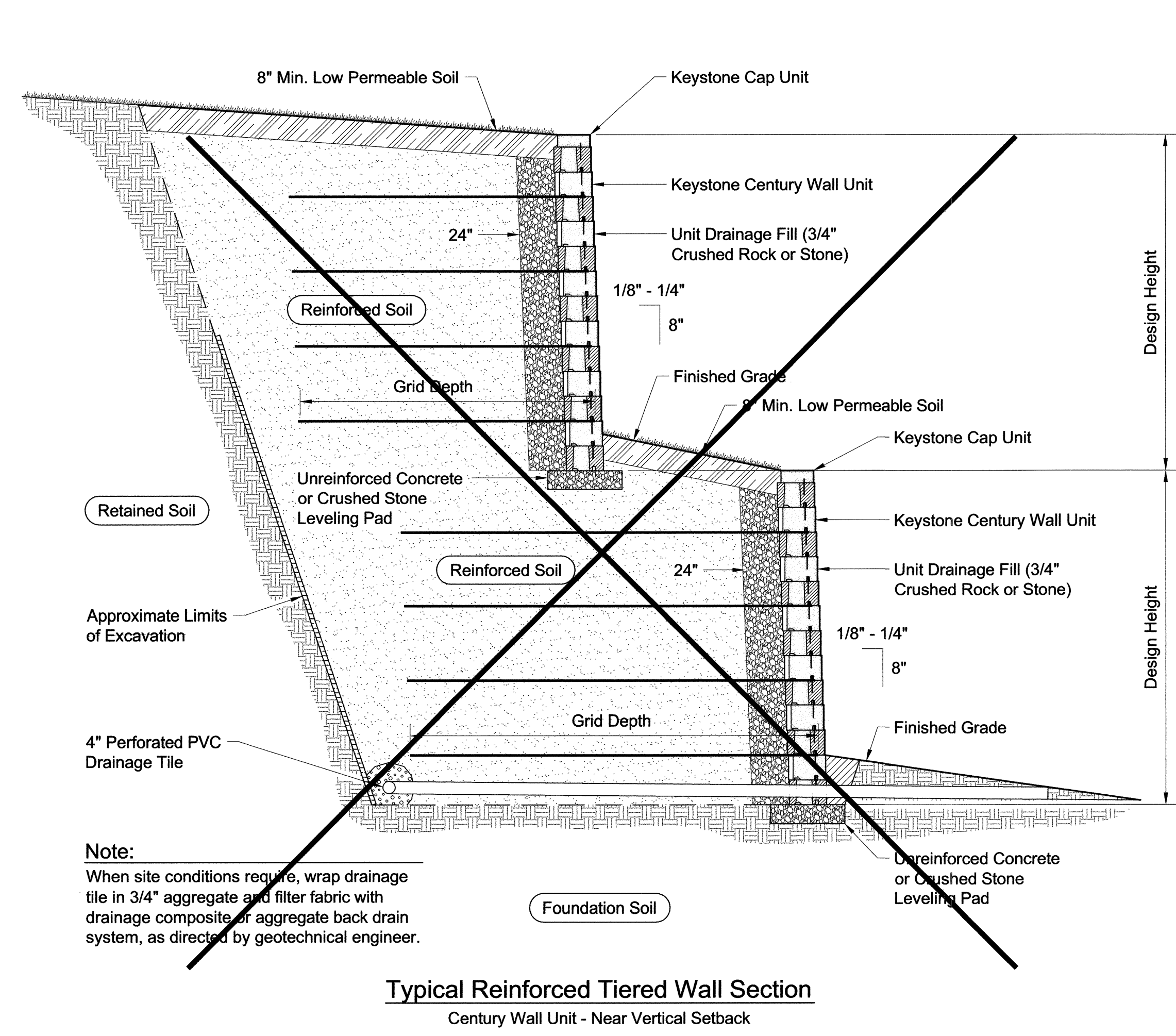
Large Unit	
Width:	18"
*Depth:	12"
Height:	8"
*Weight:	93 lbs
Medium Unit	
Width:	11"
*Depth:	12"
Height:	8"
*Weight:	58 lbs
Small Unit	
Width:	7"
*Depth:	12"
Height:	8"
*Weight:	37 lbs

Base Leveling Pad Notes:

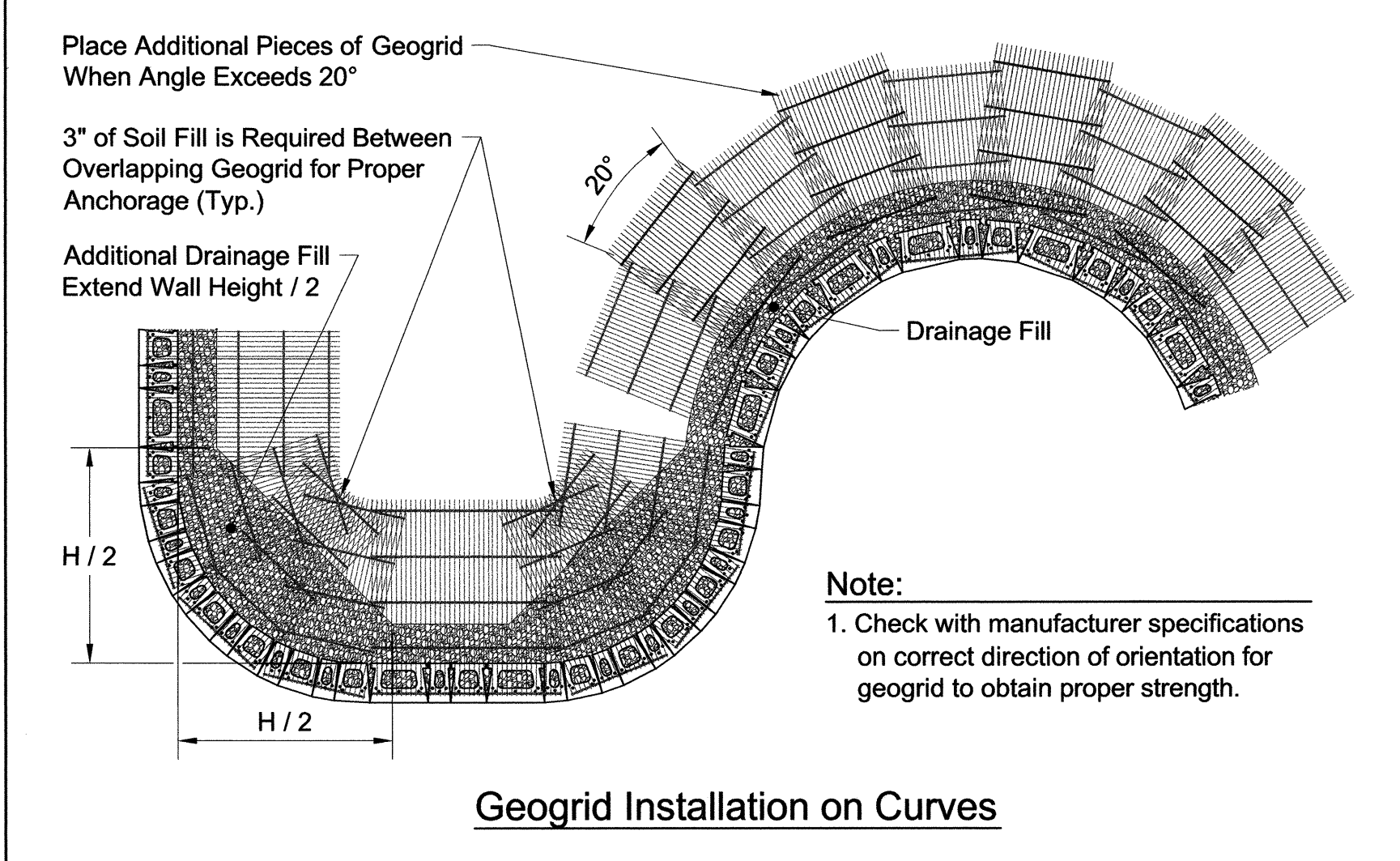
- The leveling pad is to be constructed of crushed stone or 2,000 psi ± unreinforced concrete
- The base foundation is to be approved by the site geotechnical engineer prior to placement of the leveling pad.



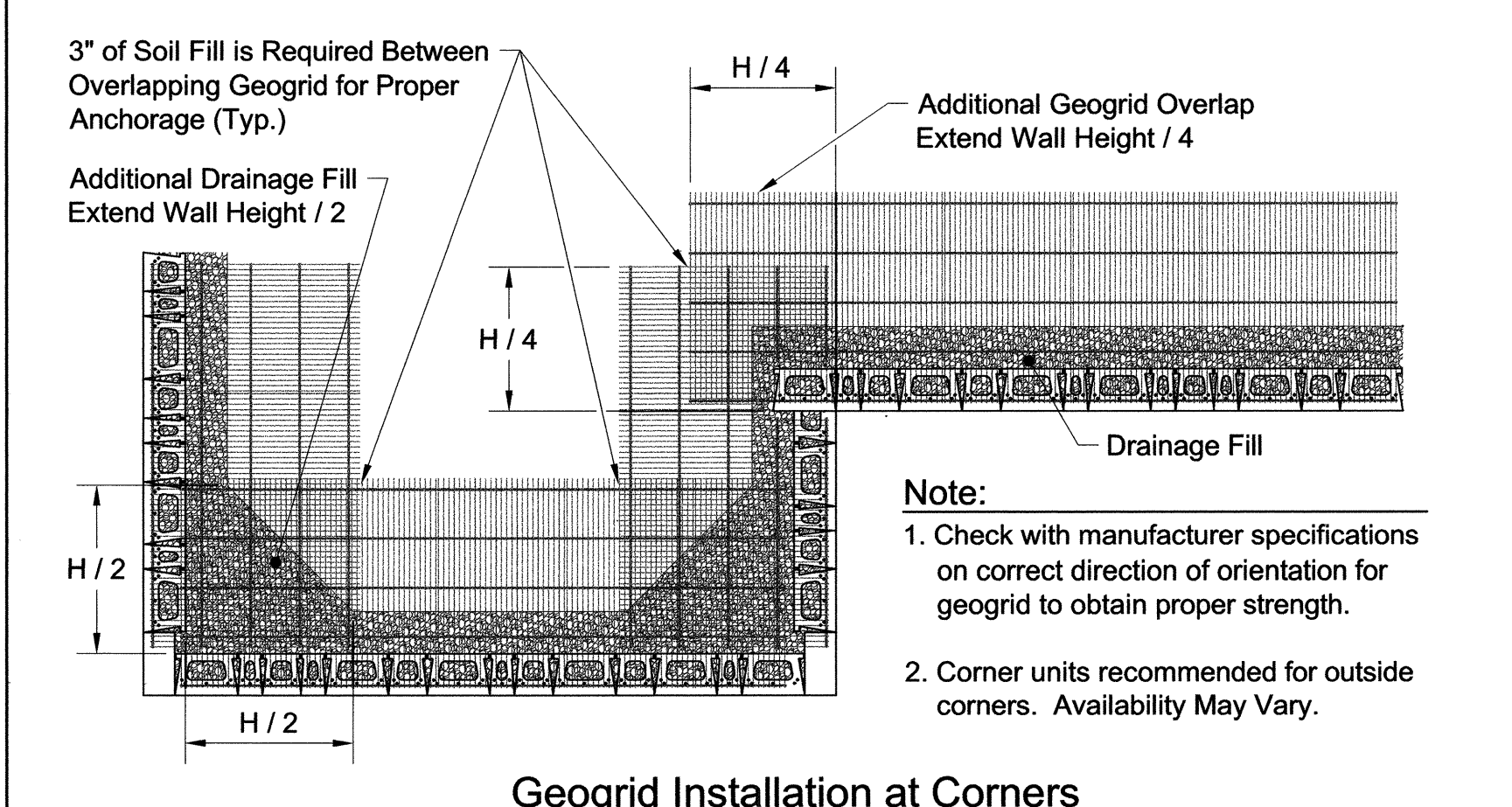
Century Wall Unit/Base Pad Isometric Section View
* Dimensions & Weight May Vary by Region



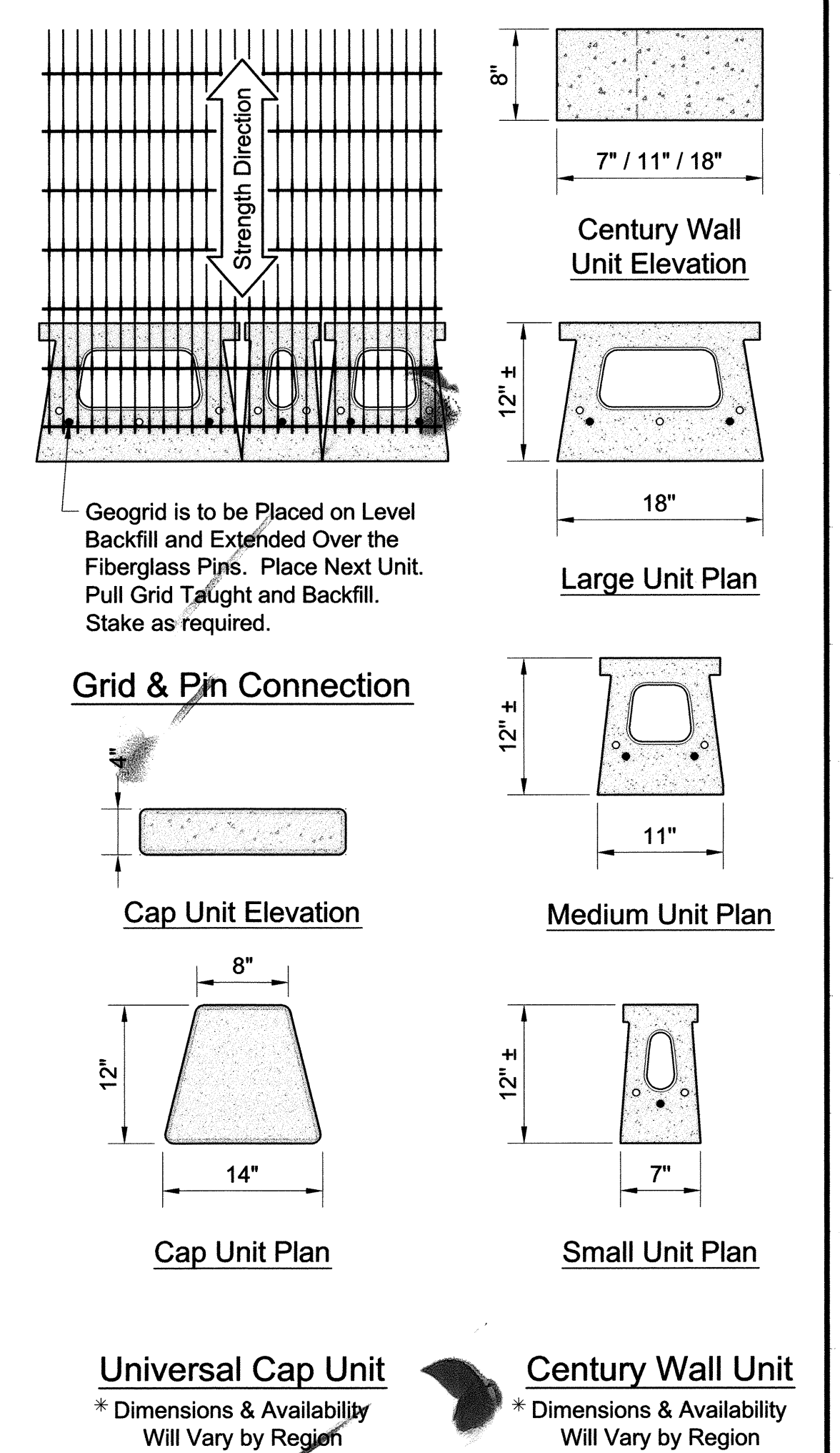
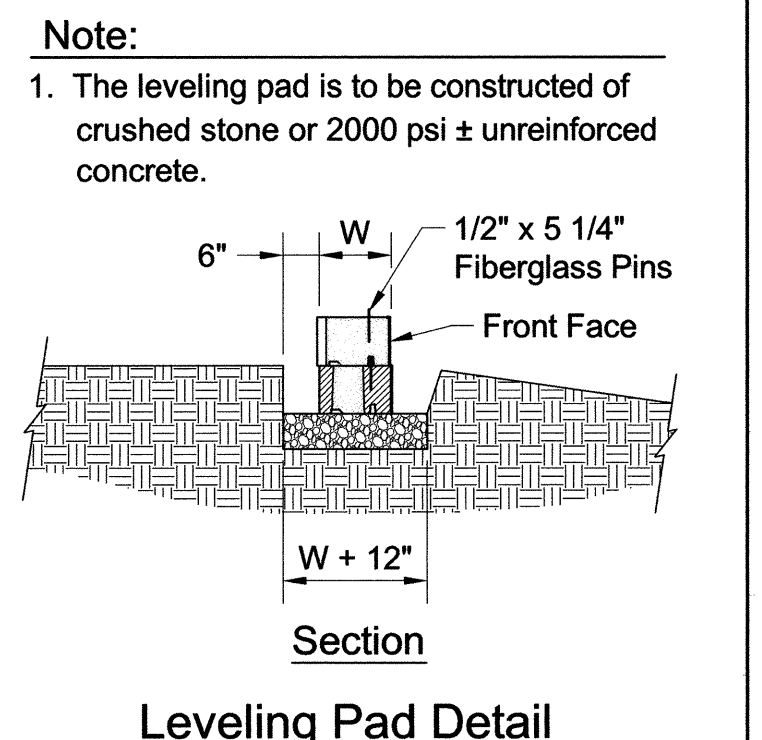
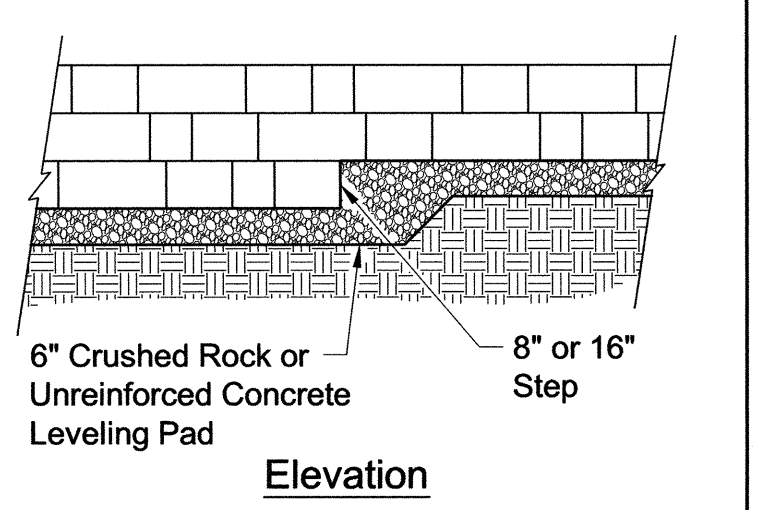
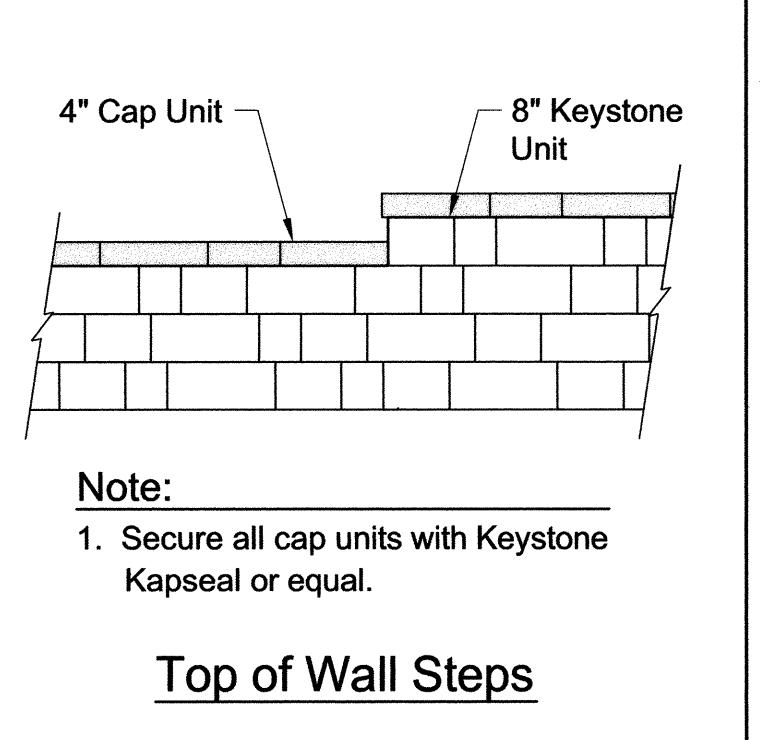
Typical Reinforced Tiered Wall Section
Century Wall Unit - Near Vertical Setback



Geogrid Installation on Curves



Geogrid Installation at Corners



Copyright 2003 Keystone Retaining Wall Systems

Design is for internal stability of the KEYSTONE wall structure only. External stability, including but not limited to foundation and slope stability is the responsibility of the Owner. The design is based on the assumption that the materials within the retained mass, methods of construction, and quality of materials conform to KEYSTONE's specification for this project.

This drawing is being furnished for this specific project only. Any party accepting this document does so in confidence and agrees that it shall not be duplicated in whole or in part, nor disclosed to others without the consent of Keystone Retaining Wall Systems, Inc.

No.	Date	Revision	By

KEYSTONE
RETAINING WALL SYSTEMS

A CUNTECH COMPANY

4444 W 78th Street
Minneapolis, MN 55435
952-897-1040

Designed By: RKM	Title: Century Wall Unit - Details	Date:
Checked By: CDM	Project: Keystone Retaining Wall Systems Typical Wall Details	Project No:
Scale: No Scale		Drawing No: C-23