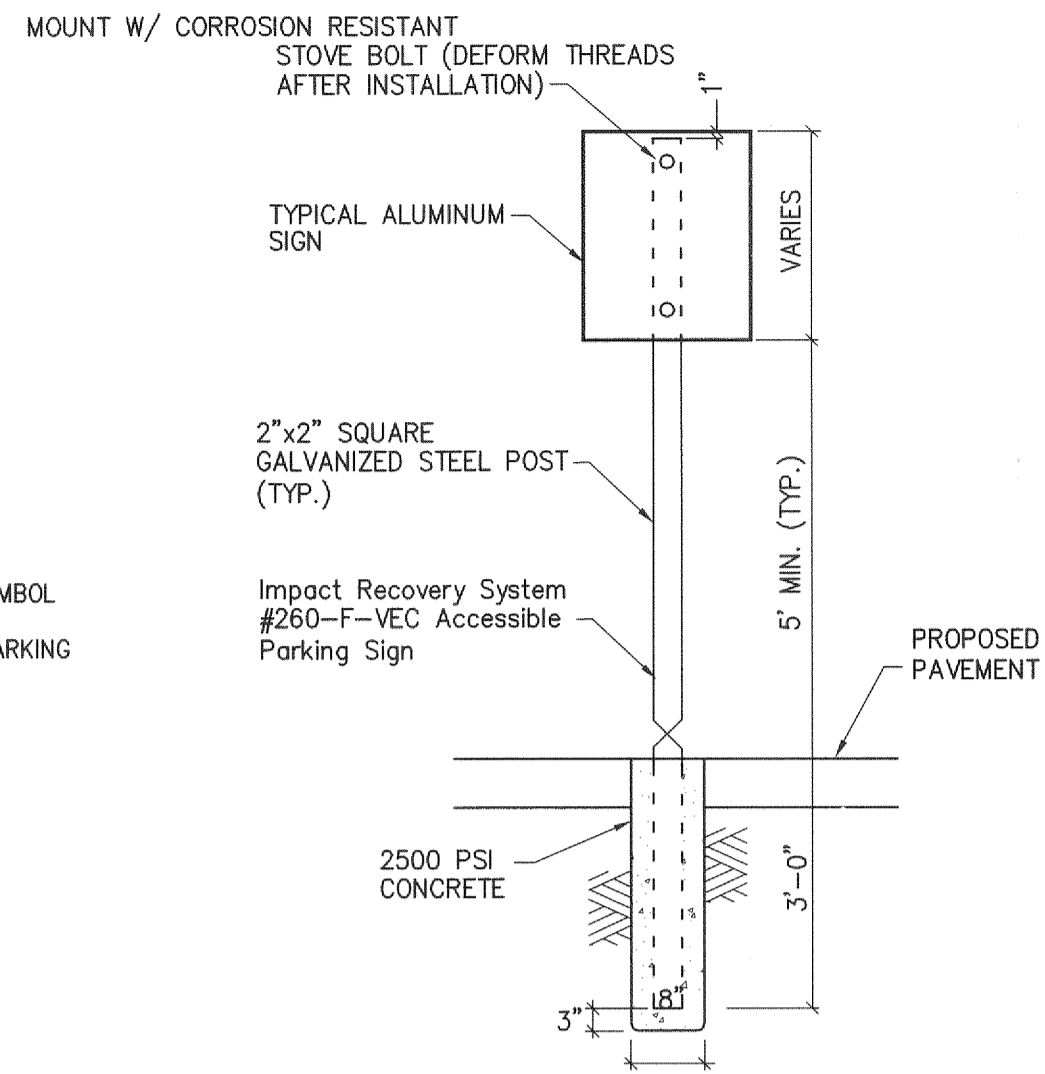
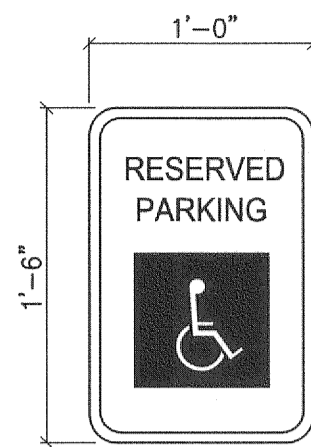


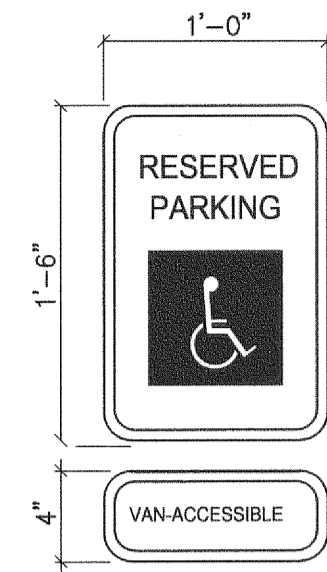
HANDICAP STRIPING DETAIL
N.T.S.



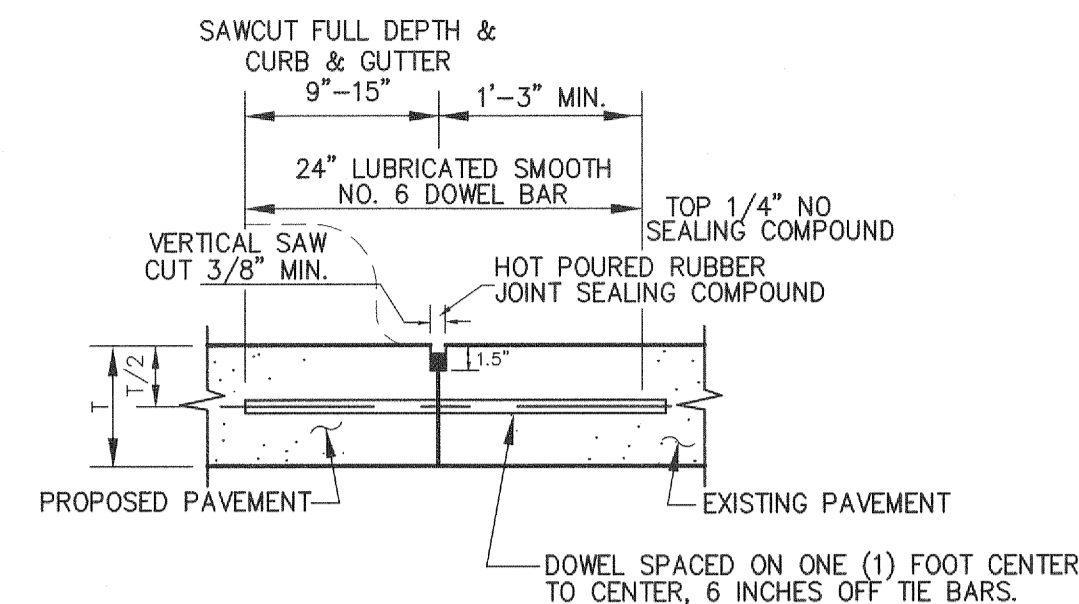
TYPICAL SIGNAGE MOUNTING DETAIL
N.T.S.



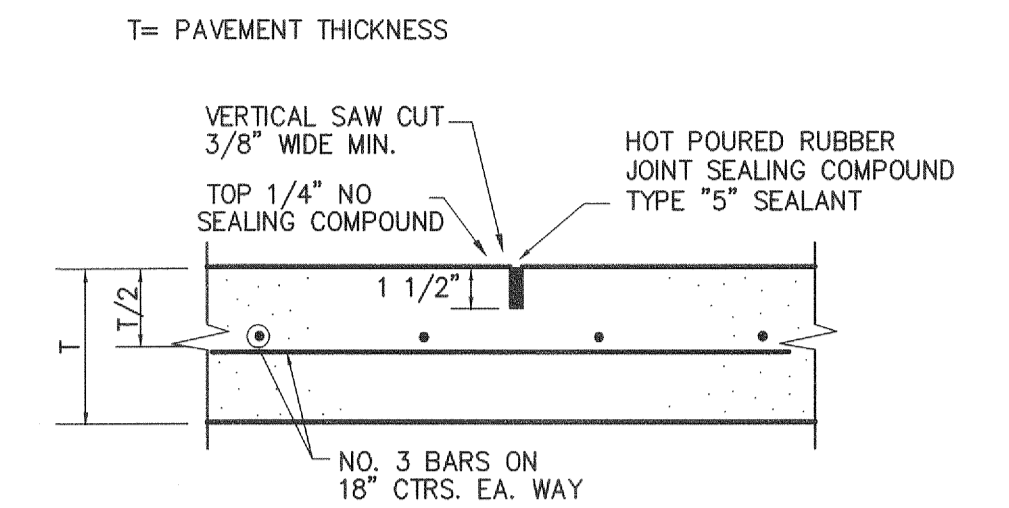
TYPICAL SIGNAGE DETAIL TYPE I
N.T.S.



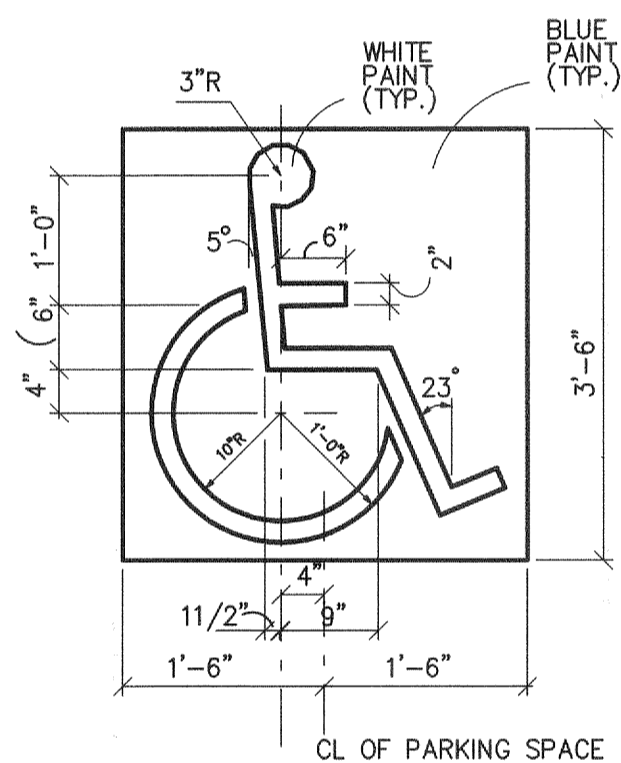
TYPICAL SIGNAGE DETAIL TYPE II
N.T.S.



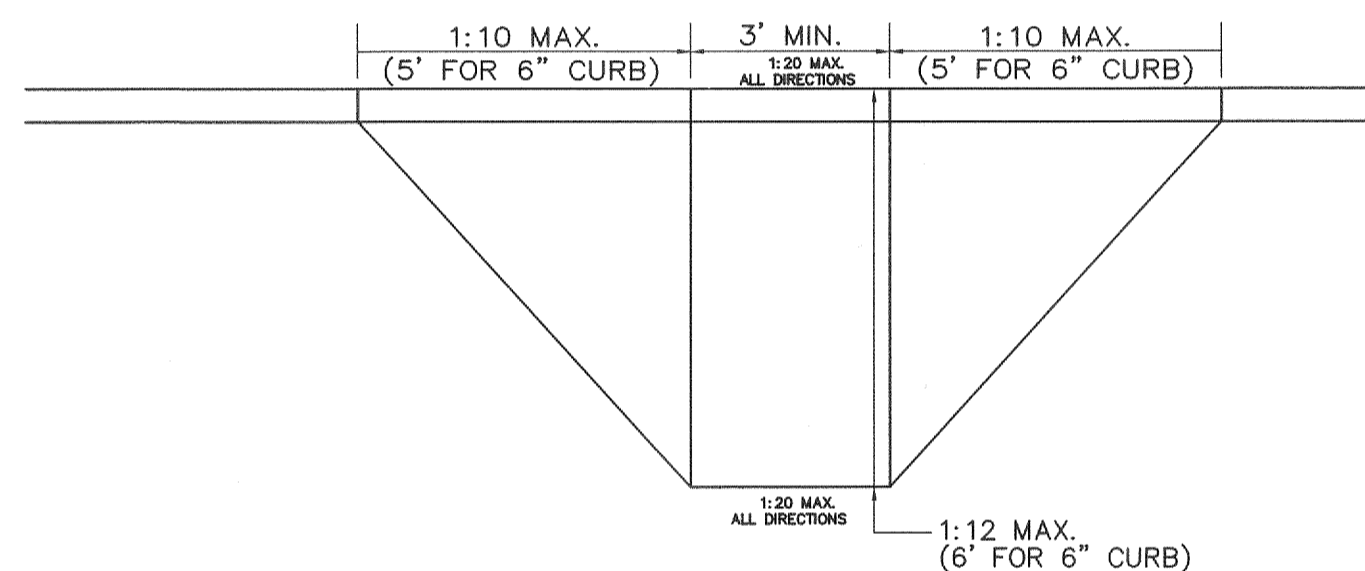
LONGITUDINAL BUTT JOINT
N.T.S.



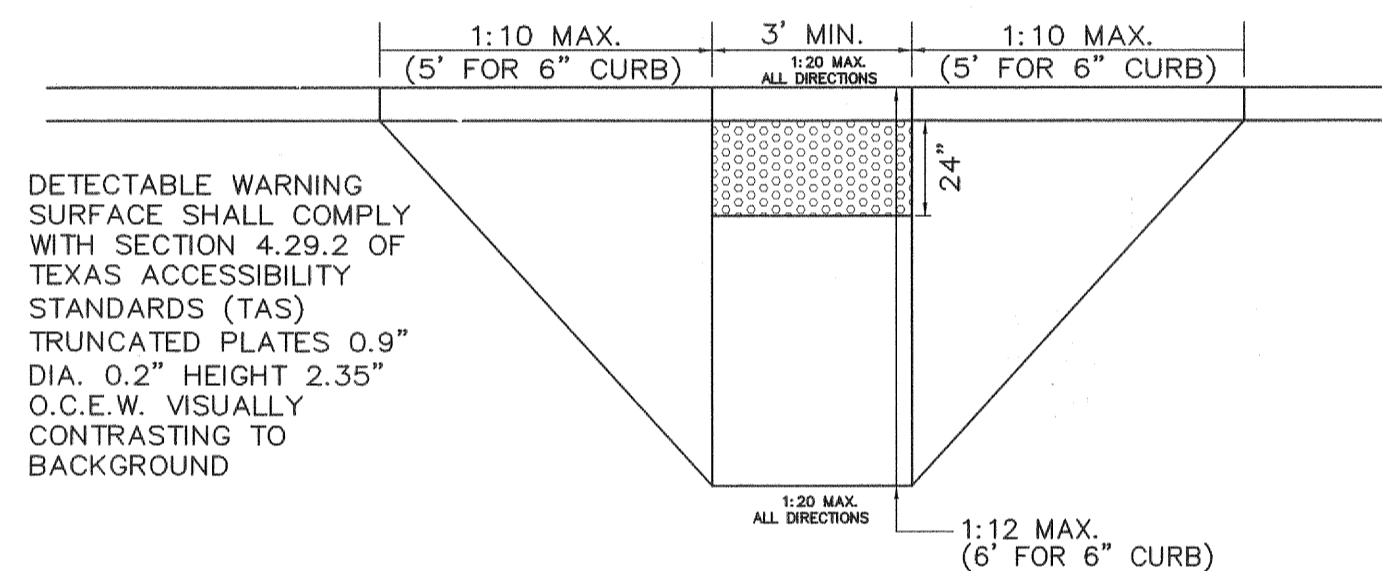
SAWED DUMMY (CONTROL) JOINT



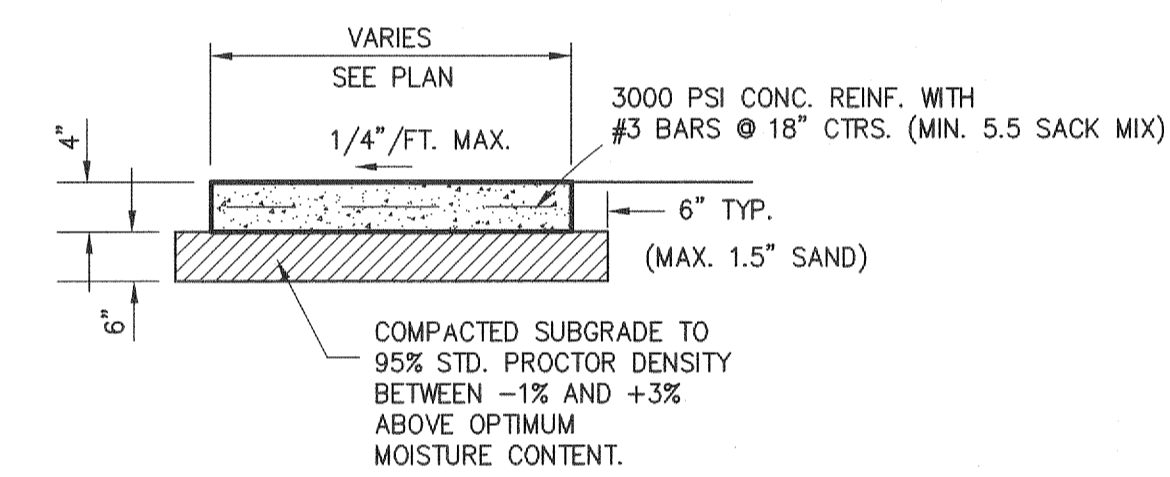
HANDICAP SYMBOL DETAIL
N.T.S.



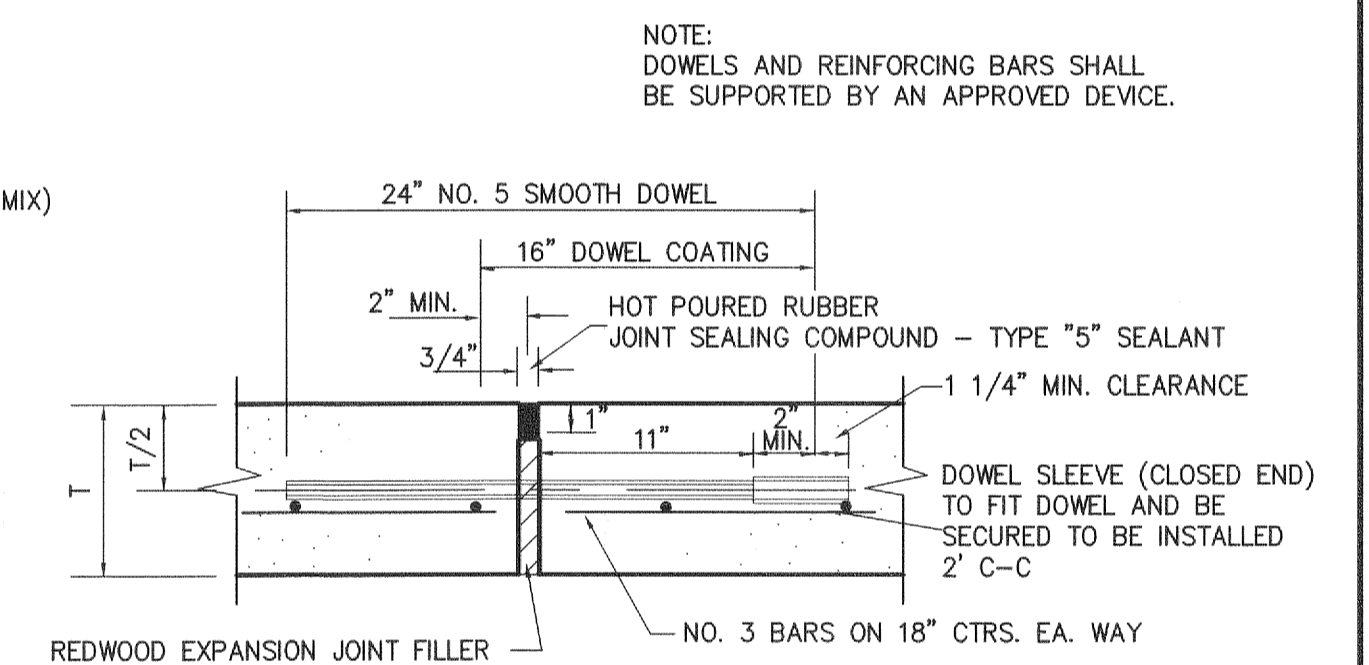
HANDICAP RAMP DETAIL (PRIVATE USE ONLY)
N.T.S.



HANDICAP RAMP DETAIL (R.O.W. USE ONLY)
N.T.S.



SIDEWALK DETAIL
N.T.S.

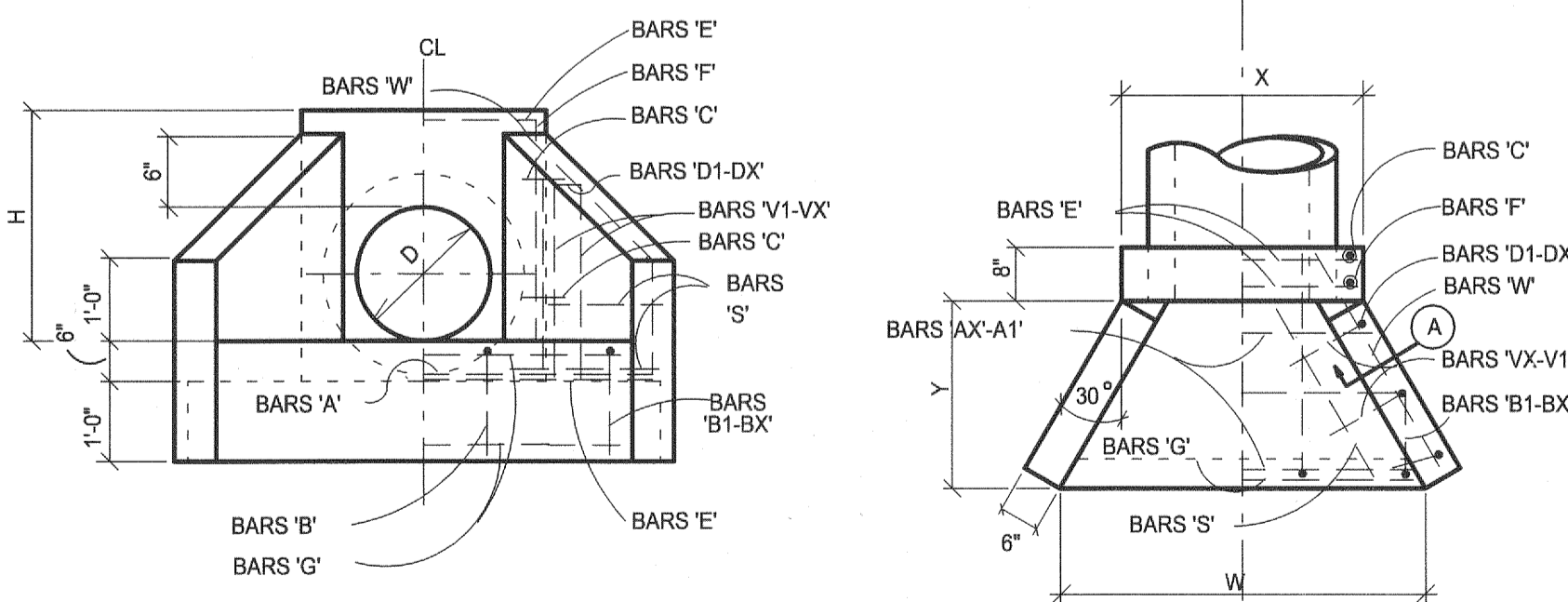


EXPANSION JOINT

TABLE OF DIMENSIONS FOR HEADWALLS

PIPE DIAM.	TABLE OF DIMENSIONS						BARS 'A1-AX' #4@12"		BARS 'B' #3@18"		BARS 'B1-BX' #3@18"	
	G	K	X	H	Y	W	No.	AVG. LTH	WT.	No.	AVG. LTH	WT.
18"	-	12"	2'-11"	2'-6"	2'-0"	4'-0 7/8"	4	3'-10"	10	6	3'-6"	8
24"	-	12"	3'-6"	3'-0"	3'-0"	5'-9 3/4"	6	5'-0"	20	6	4'-6"	10

PIPE DIAM.	BARS 'D1-DX' #3@12"		BARS 'E' 8-#5		BARS 'F'		BARS 'G' 4-#3		BARS 'S' 12-#4		BARS 'V1-VX' #4@12"		BARS 'W' 4-#5	
	No.	AVG. LTH	WT.	LGTH.	WT.	No.	AVG. LTH	WT.	LGTH.	WT.	No.	AVG. LTH	WT.	LGTH.
18"	4	1'-0"	2	2'-7"	22	8	#4	2'-8"	14	4'-5"	7	1'-10"	15	12
24"	4	1'-0"	2	3'-2"	26	8	#4	3'-2"	17	6'-2"	9	3'-0"	24	16



ELEVATION TYPICAL HEADWALL DETAIL PLAN
NO SCALE

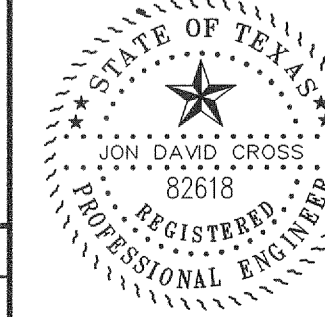
OPTION: CONTRACTOR MAY USE PRECAST HEADWALLS IF DESIRED.

BENCHMARK:
Benchmark:
CITY OF ROCKWALL CONTROL MONUMENT NO. R016, LOCATED ON AIRPORT ROAD AT THE CITY OF ROCKWALL SERVICE CENTER.
ELEVATION = 558.72'

AS BUILT
REVISED TO CONFORM TO CONSTRUCTION RECORDS
JON DAVID CROSS, P.E.
DATE: 12/1/2014

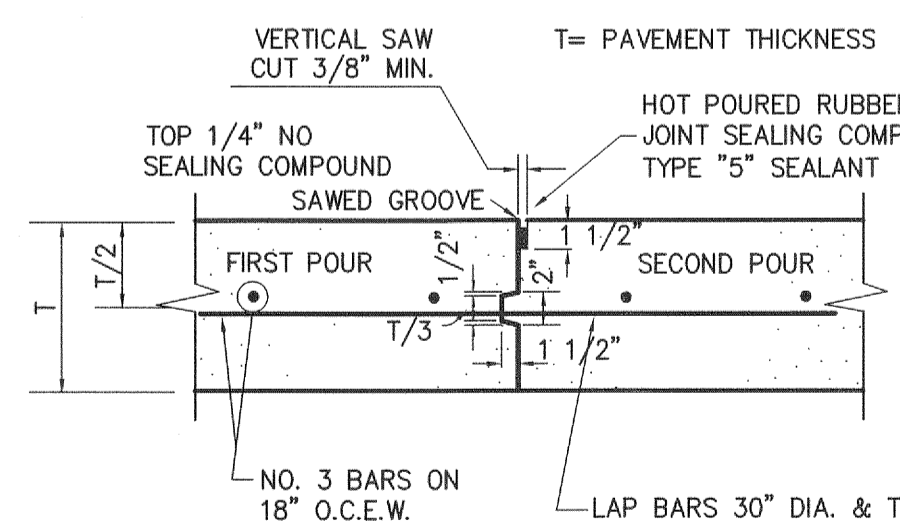
Issue Dates:	Revisions:	Date:
1	1 Asbuilt	12-8-14
2	2	
3	3	
4	4	
5	5	
6	6	

CROSS ENGINEERING CONSULTANTS
131 S. Tennessee St. McJinney, Texas 75069
972.562.4409 Texas P.E. Firm No. F-5935
Drawn By: C.E.C.I. Checked By: C.E.C.I. Scale: NONE

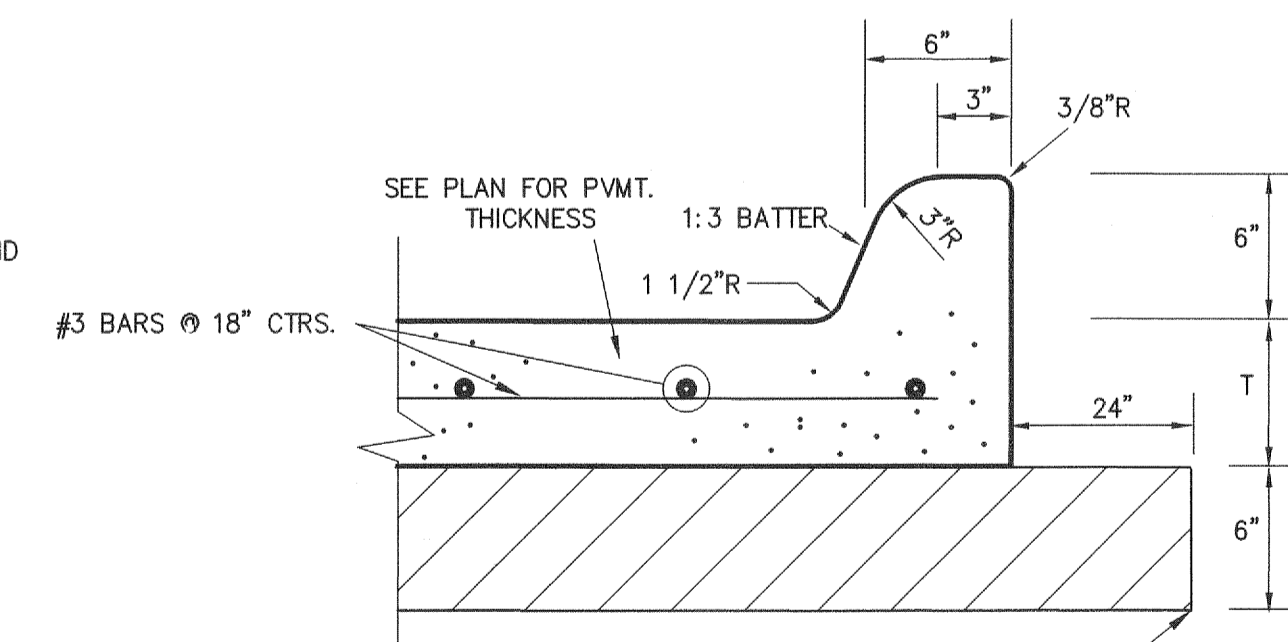


DETAILS
ROCKWALL BUSINESS PARK - LOT 8
EAST SUBDIVISION
City of Rockwall, Texas

Sheet No. **C6** of 6
Project No. 13104



CONSTRUCTION JOINT



PAVEMENT SECTION WITH CURB

Subgrade:
6" lime stabilized (6% Lime per TxDOT Item 260) compacted subgrade to a minimum of 95% of ASTM D1557 (Modified Proctor) density (within +3% to optimum moisture content).



(@ least 72 hours prior to digging)