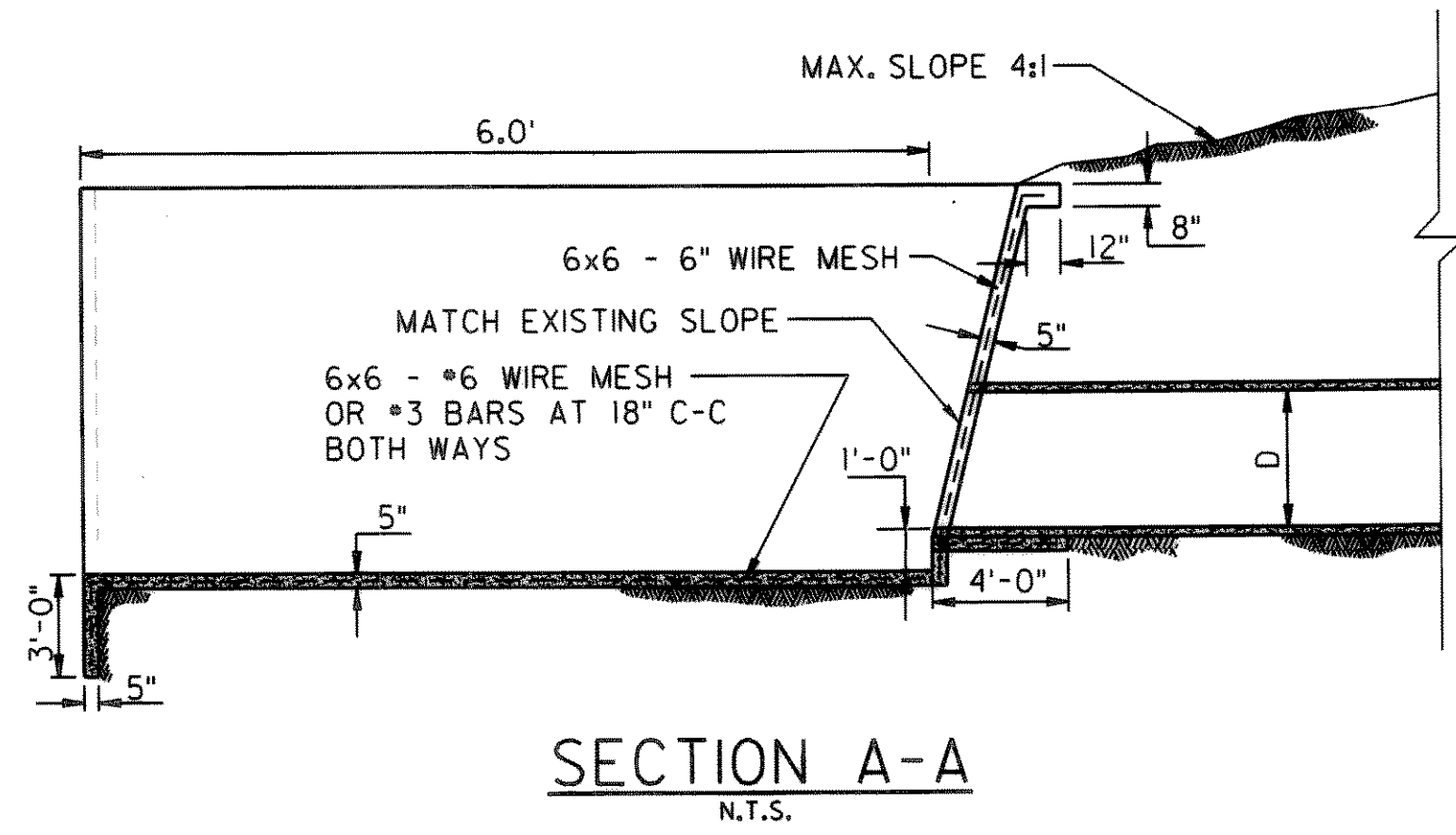
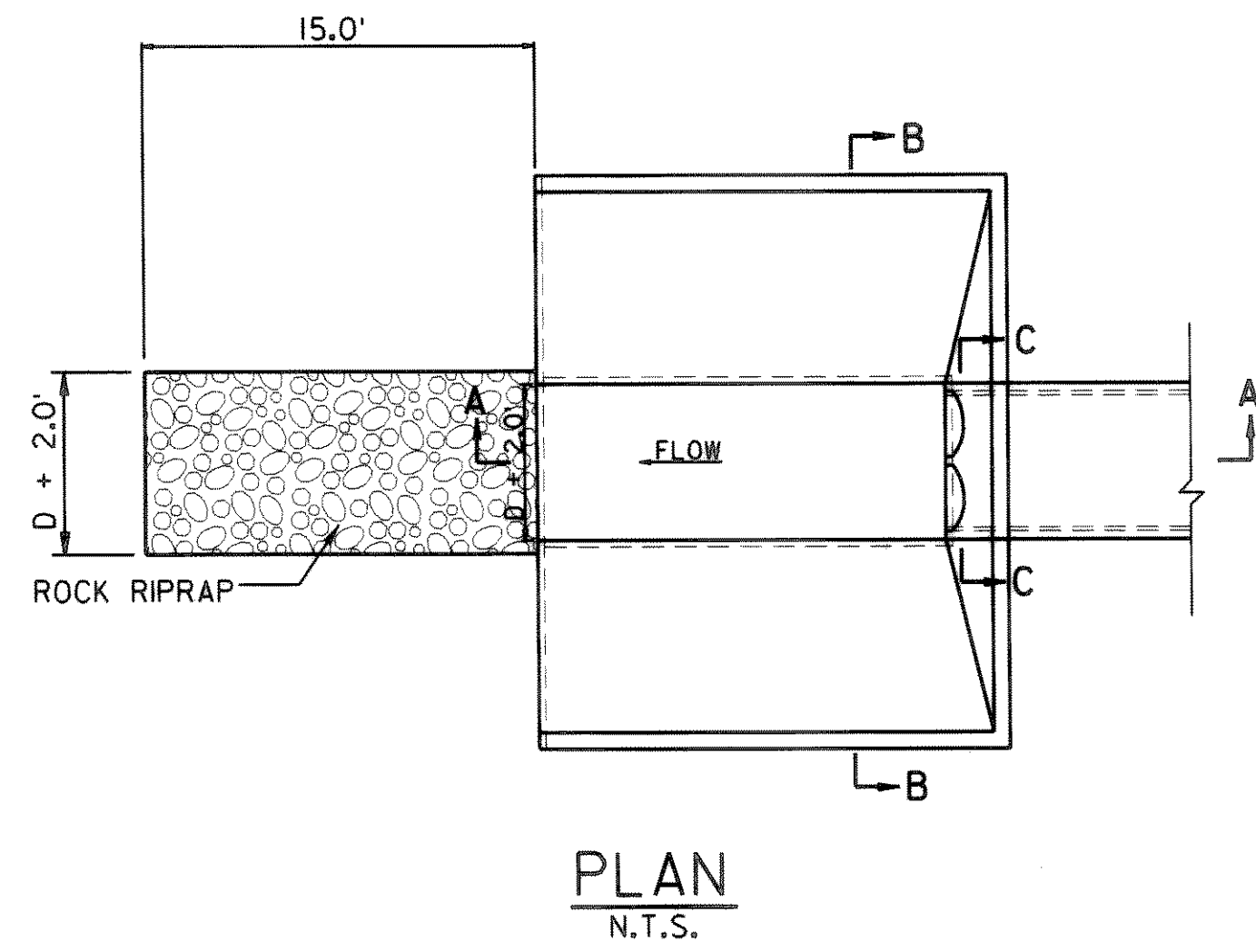
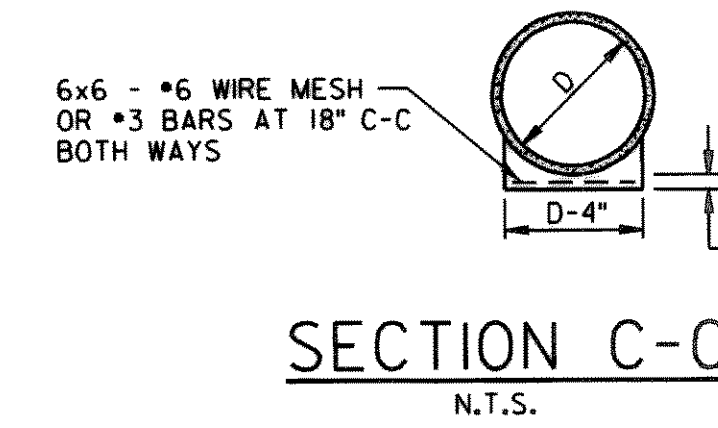
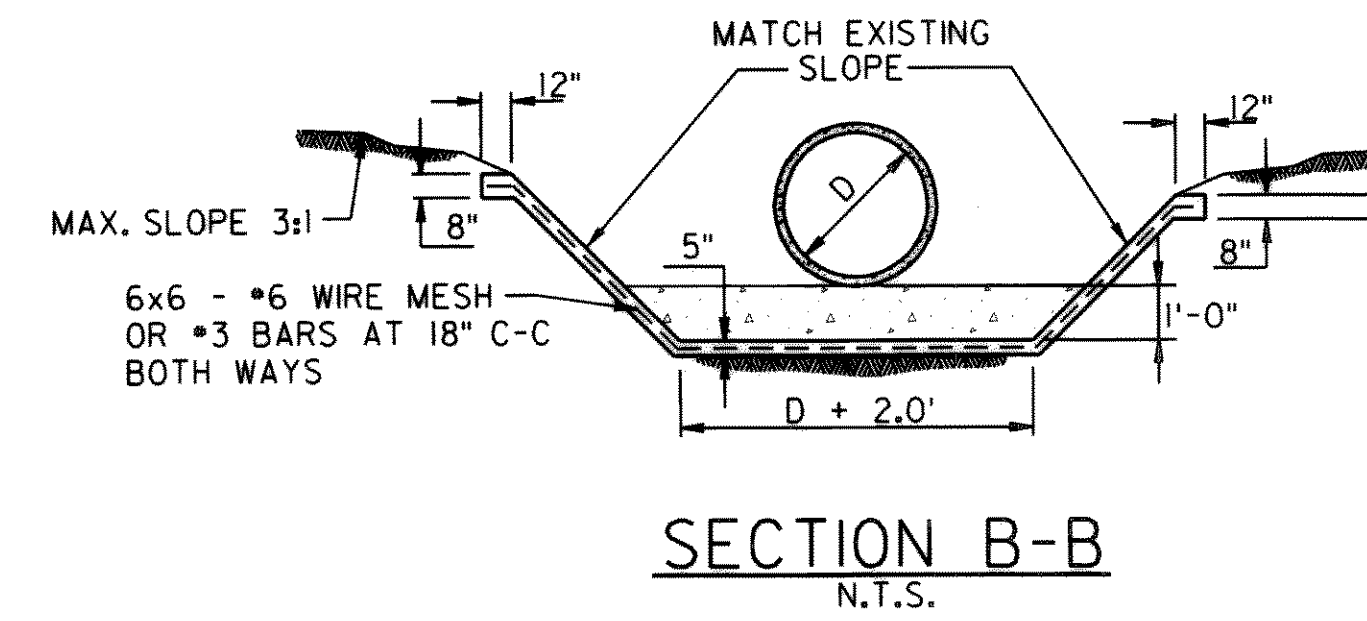


GRADATION FOR 18-INCH THICKNESS OF RIP-RAP	
SIEVE SIZE	PERCENT PASSING BY WEIGHT
18-INCH	95-100
12-INCH	45-70
8-INCH	15-40
6-INCH	0-10



SINGLE-BARRELL SLOPED END HEADWALL
N.T.S.



NOTE:
FOR PIPE DIAMETER SEE
PLAN AND PROFILE SHEET

DATE	REVISION	MADE	CKD.	APPD.		
Carter Burgess						
Carter & Burgess, Inc. 7950 Elmbrook Drive Dallas, Texas 75247-4961 (214) 638-0145 Metro 263-2019 Fax (214) 638-0447						
DETAILS						
ROCKWALL ASSISTED LIVING ADDITION						
CONSTRUCTION PLANS						
CITY OF ROCKWALL, ROCKWALL COUNTY, TX						
DESIGN	DRAWN	CHECKED	SCALE	DATE	FILE	NO.
JONES	JONES	MARSH	N.T.S.	98RE 98	01-3110	C9

RECORD DRAWINGS
These drawings have been
modified to reflect construction records
provided to the Engineer.

