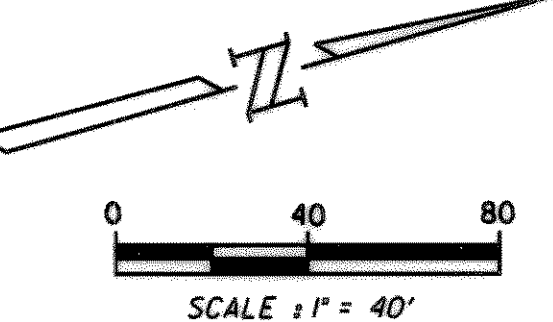
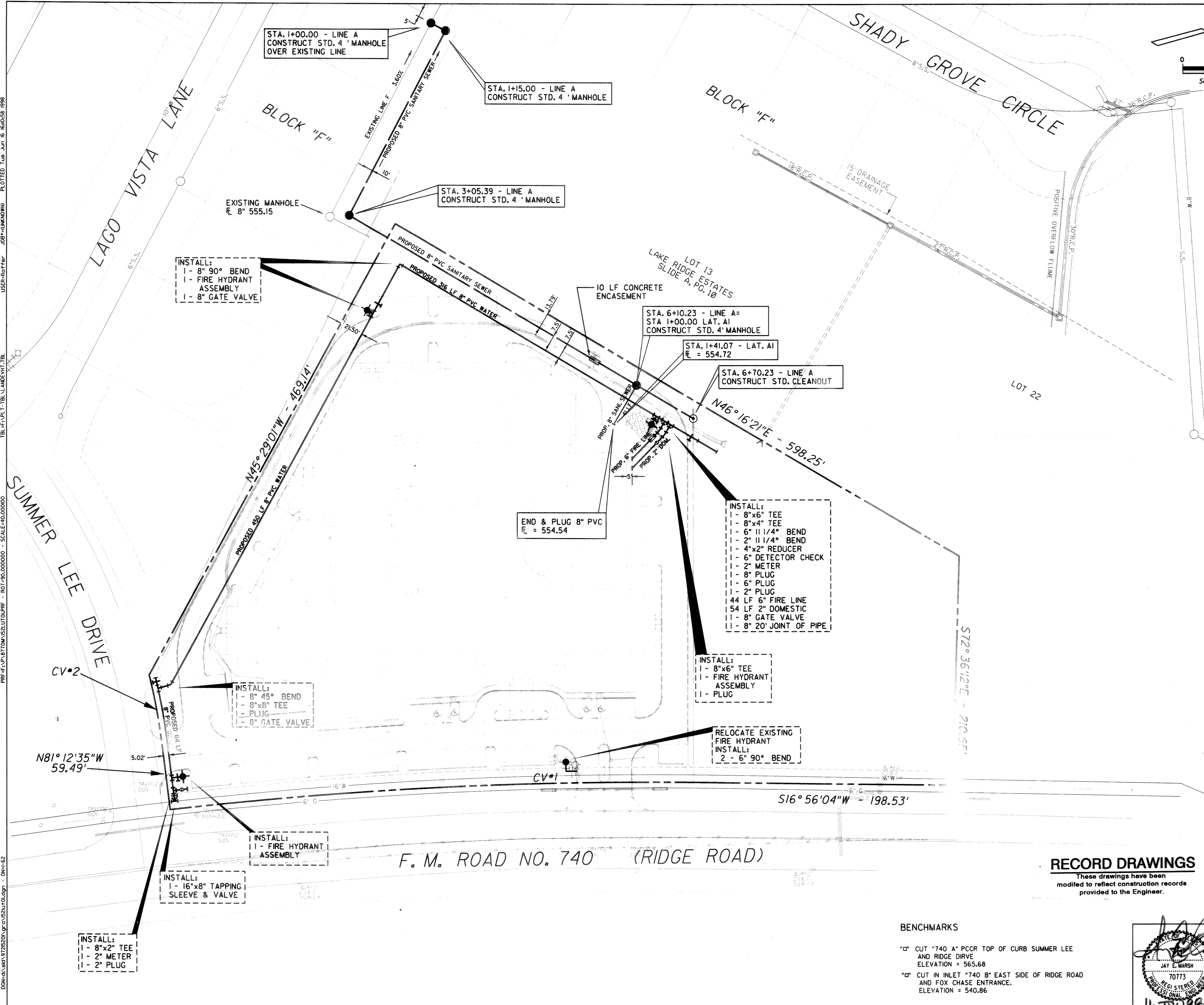
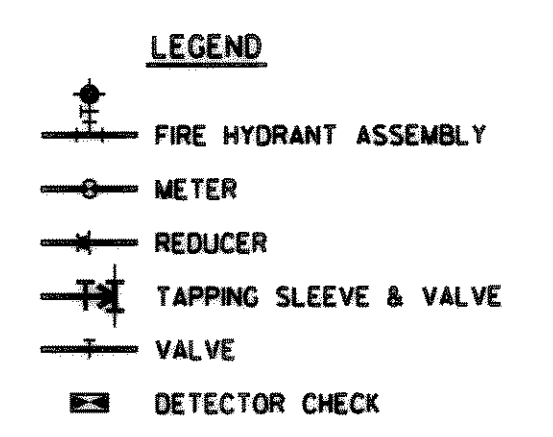


PROPERTY LINE CURVE DATA	
CURVE	$\Delta = 07^{\circ} 41'57''$
*1	R = 3859.8'
	L = 518.66'
	CHORD = S12° 00'30"W 518.27'
CURVE	$\Delta = 06^{\circ} 42'58''$
*2	R = 555.78'
	L = 65.15'
	CHORD = N85° 36'04"W 65.11'



- GENERAL NOTES
- ALL CONSTRUCTION SHALL CONFORM TO CITY STANDARDS AND SPECIFICATIONS, AS WELL AS N.C.T.C.O.G. STANDARDS.
 - ALL DIMENSIONS SHOWN ARE TO FACE OF CURB, CENTERLINE OF PIPE AND OUTSIDE FACE OF BUILDING UNLESS OTHERWISE NOTED.
 - THE UTILITY CONTRACTOR SHALL BE RESPONSIBLE FOR ADJUSTING ALL WATER MAINS IN AREAS OF CONFLICT WITH OTHER PROPOSED UTILITIES.
 - CONTRACTOR TO PROVIDE TRENCH SAFETY PLANS SIGNED AND SEALED BY A LICENSED ENGINEER PRIOR TO START OF CONSTRUCTION.
 - THE CONTRACTOR SHALL PROVIDE AS-BUILT PLANS TO THE ENGINEER SO THAT THE REPRODUCIBLES OF THE ENGINEERING PLANS MAY BE CORRECTED TO REFLECT AS-BUILT CONDITIONS.
 - THE CONTRACTOR SHALL BE REQUIRED TO PROVIDE AND MAINTAIN ALL NECESSARY WARNING AND SAFETY DEVICES (FLASHING LIGHTS, BARRICADES, SIGNS, ETC.) TO PROTECT PUBLIC SAFETY AND HEALTH UNTIL ALL WORK HAS BEEN COMPLETED AND ACCEPTED BY THE CITY.
 - ALL WATER AND SEWER CROSSINGS SHALL BE CENTERED ON THE JOINT OF PIPE.
 - ALL SANITARY SEWER PIPE SHALL BE SDR 35 PVC (ASTM 3034).
 - ALL SANITARY SEWER AND WATER LINE SHALL BE TESTED IN ACCORDANCE WITH CITY STANDARD SPECIFICATIONS.
 - ALL SANITARY SEWER MAIN CONSTRUCTION SHALL CONFORM TO THE MINIMUM REQUIREMENTS OF THE TEXAS STATE DEPARTMENT OF HEALTH RULES AND REGULATIONS FOR PUBLIC WATER AND SEWERAGE SYSTEMS.
 - THE LOCATION OF EXISTING UNDERGROUND FACILITIES INDICATED ON THE PLANS IS TAKEN FROM PUBLIC RECORDS. IT IS THE CONTRACTOR'S RESPONSIBILITY TO MAKE ARRANGEMENTS WITH THE OWNERS OF SUCH UNDERGROUND FACILITIES PRIOR TO WORKING IN THE AREA TO CONFIRM THEIR EXACT LOCATION AND TO DETERMINE WHETHER ANY ADDITIONAL FACILITIES, OTHER THAN THOSE SHOWN ON THE PLAN, MAY BE PRESENT. THE CONTRACTOR SHALL PRESERVE AND PROTECT ALL UNDERGROUND FACILITIES FOUND.
 - WATER MAINS SHALL BE EITHER DUCTILE IRON, ANSI/AWWA-C150/A21.50 CLASS 50 WITH 8 MIL. POLYETHYLENE TUBE WRAP AND CEMENT LINING ACCORDING TO ANSI/AWWA-C104/A21.4 OR PVC C900, DR18, CLASS 150.
 - ALL WATER LINE FITTINGS SHALL BE GRAY OR DUCTILE CAST IRON AND SHALL BE CEMENT LINED INSIDE AND BITUMINOUS COATED OUTSIDE.
 - THE UTILITY CONTRACTOR SHALL PROVIDE ADEQUATE CONCRETE THRUST BLOCKING AT ALL TEES, BENDS, FIRE HYDRANTS, ETC.
 - IT SHALL BE THE RESPONSIBILITY OF THE CONTRACTOR TO PROTECT ALL PUBLIC UTILITIES IN THE CONSTRUCTION OF THIS PROJECT. ALL MANHOLES, CLEANOUTS, VALVE BOXES, FIRE HYDRANTS, ETC. MUST BE ADJUSTED TO PROPER LINE AND GRADE BY THE CONTRACTOR PRIOR TO AND AFTER THE PLACING OF PERMANENT PAVING.
 - HOSE/PUMPER NOZZLES ON FIRE HYDRANTS SHALL BE 18 INCHES ABOVE THE TOP OF CURB, OR FINISHED GRADE AND SHALL FACE THE STREET OR FIRE LANE. FIRE HYDRANTS SHALL BE PLACED NOT LESS THAN THREE FEET NOR MORE THAN SIX FEET BEHIND THE CURB.
 - ALL WATER MAINS SHALL HAVE A MINIMUM COVER OF 42 INCHES FROM FINISHED GRADE.
 - FIRE HYDRANT ASSEMBLY SHALL CONSIST OF THE FIRE HYDRANT, VALVE, SIX-INCH PVC LEAD AND ALL APPURTENANCES.
 - ALL UNDERGROUND PIPING FOR FIRE SPRINKLER SYSTEM IS REQUIRED TO BE INSTALLED BY LICENSED CONTRACTOR AND PERMITTED THROUGH FIRE PREVENTION.
 - FIRE SPRINKLER PIPING IS REQUIRED TO BE CLASS 200.



DATE	REVISION	MADE	CKD.	APPD.

Carter Burgess
 Carter & Burgess, Inc. 7950 Elmbrook Drive Dallas, Texas 75247-4961
 (214) 639-0145 Metro 263-2019 Fax (214) 638-0447

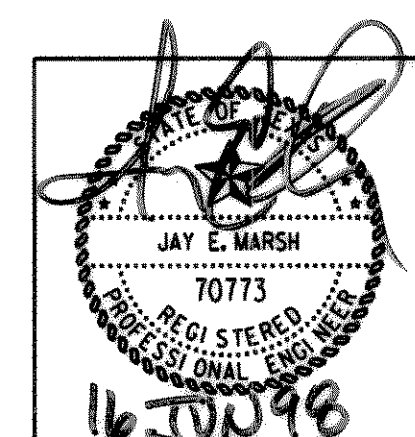
UTILITY PLAN
 ROCKWALL ASSISTED LIVING ADDITION
 CONSTRUCTION PLANS

CITY OF ROCKWALL, ROCKWALL COUNTY, TX

DESIGN	DRAWN	CHECKED	SCALE	DATE	FILE	NO.
JONES	WADE	MARSH	1" = 40'	JUNE 98	01-310	C4

RECORD DRAWINGS
 These drawings have been modified to reflect construction records provided to the Engineer.

- BENCHMARKS
- CD CUT "740" A" PCCR TOP OF CURB SUMMER LEE AND RIDGE DRIVE ELEVATION = 565.68
 - CD CUT IN INLET "740" B" EAST SIDE OF RIDGE ROAD AND FOX CHASE ENTRANCE. ELEVATION = 540.86



D:\PROJECTS\972520\972520.dwg - 10:14:42 AM - 06/15/98
 PLOT: 972520.PLT - 10:14:42 AM - 06/15/98
 USER: jaymarsh
 PLOTTED: Tue Jun 16 10:05:58 1998
 TBL: F:\PLT - TBL: L:\LAND\WRT\TBL
 SCALE: 1" = 40'
 972520.dwg - 10:14:42 AM - 06/15/98
 PLOT: 972520.PLT - 10:14:42 AM - 06/15/98
 USER: jaymarsh
 PLOTTED: Tue Jun 16 10:05:58 1998
 TBL: F:\PLT - TBL: L:\LAND\WRT\TBL
 SCALE: 1" = 40'
 972520.dwg - 10:14:42 AM - 06/15/98
 PLOT: 972520.PLT - 10:14:42 AM - 06/15/98
 USER: jaymarsh
 PLOTTED: Tue Jun 16 10:05:58 1998
 TBL: F:\PLT - TBL: L:\LAND\WRT\TBL
 SCALE: 1" = 40'