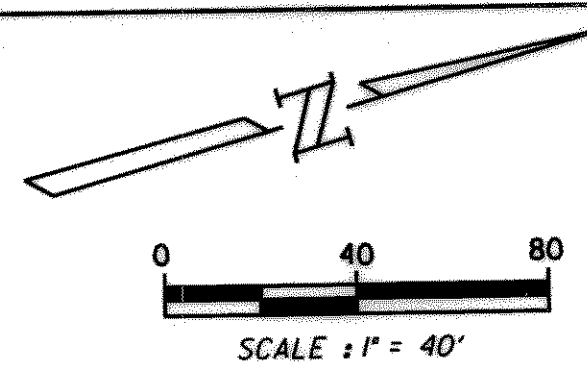
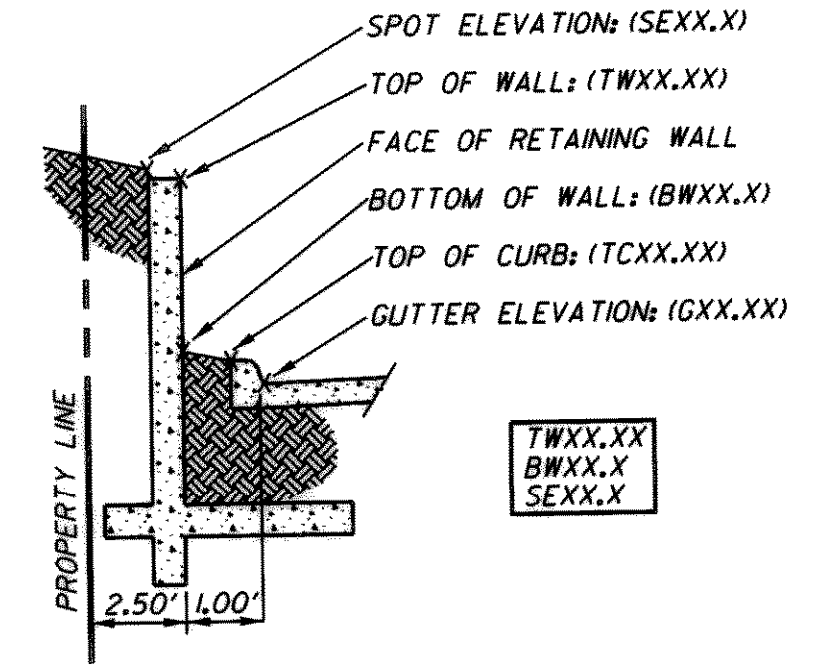


PROPERTY LINE CURVE DATA	
CURVE #1	$\Delta = 07^\circ 41'53"$ R = 3859.83' L = 518.59' CHORD = S13° 04' 21" W 518.20'
CURVE #2	$\Delta = 06^\circ 42'59"$ R = 555.78' L = 65.15' CHORD = N85° 36' 04" W 65.11'

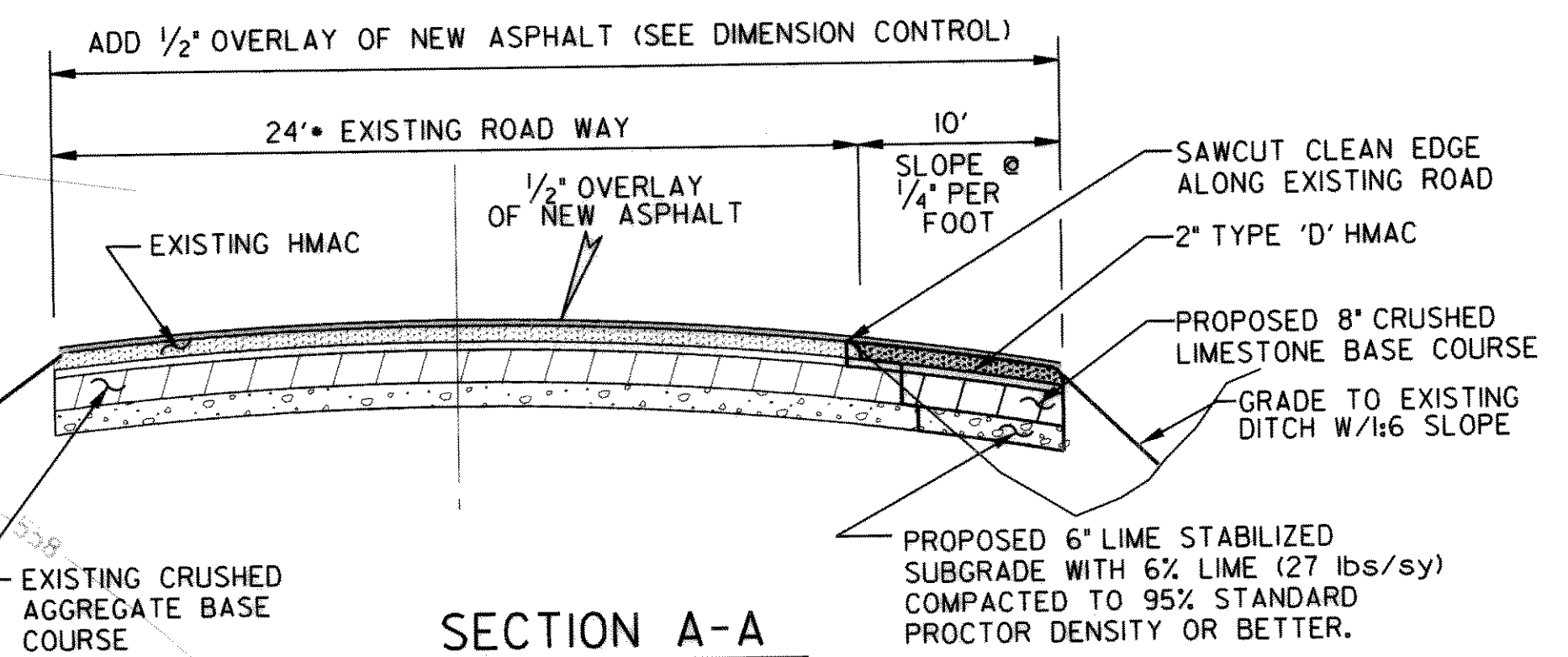


**LEGEND**

- TCXX.XX TOP OF CURB & GUTTER
- GXX.XX GUTTER ELEVATION
- SWXX.XX SIDEWALK ELEVATION
- SXX.X SPOT ELEVATION
- X SPOT ELEVATION LOCATION
- 560--- PROPOSED 5' CONTOUR
- 561--- PROPOSED 1' CONTOUR
- >--- FLOW ARROW DIRECTION
- |--- CENTER LINE OF DITCH & SWALE
- x TC559.41 EXISTING TOP OF CURB
- 561--- EXISTING CONTOURS



RETAINING WALL DETAIL



SECTION A-A  
EXIST ASPHALT PAVEMENT  
W/ PAVEMENT WIDENING  
N.T.S.

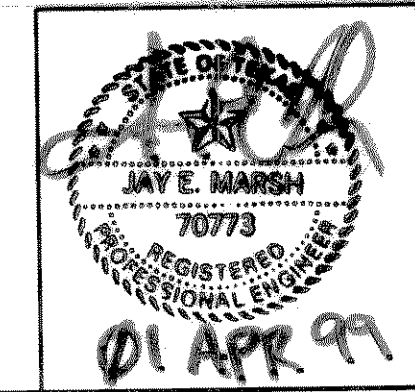
DATE	REVISION	MADE	CHKD.	APPD.
03/31/99	AS BUILT CHANGES	BELL	JONES	MARSH
09/10/98	REVISED RETAINING WALL	BELL	JONES	MARSH

**Carter Burgess**  
Carter & Burgess, Inc. 7950 Elmbrook Drive Dallas, Texas 75247-4961  
(214) 638-0145 Metro 263-2019 Fax (214) 638-0447

**GRADING PLAN**  
**ROCKWALL ASSISTED LIVING ADDITION**  
**CONSTRUCTION PLANS**

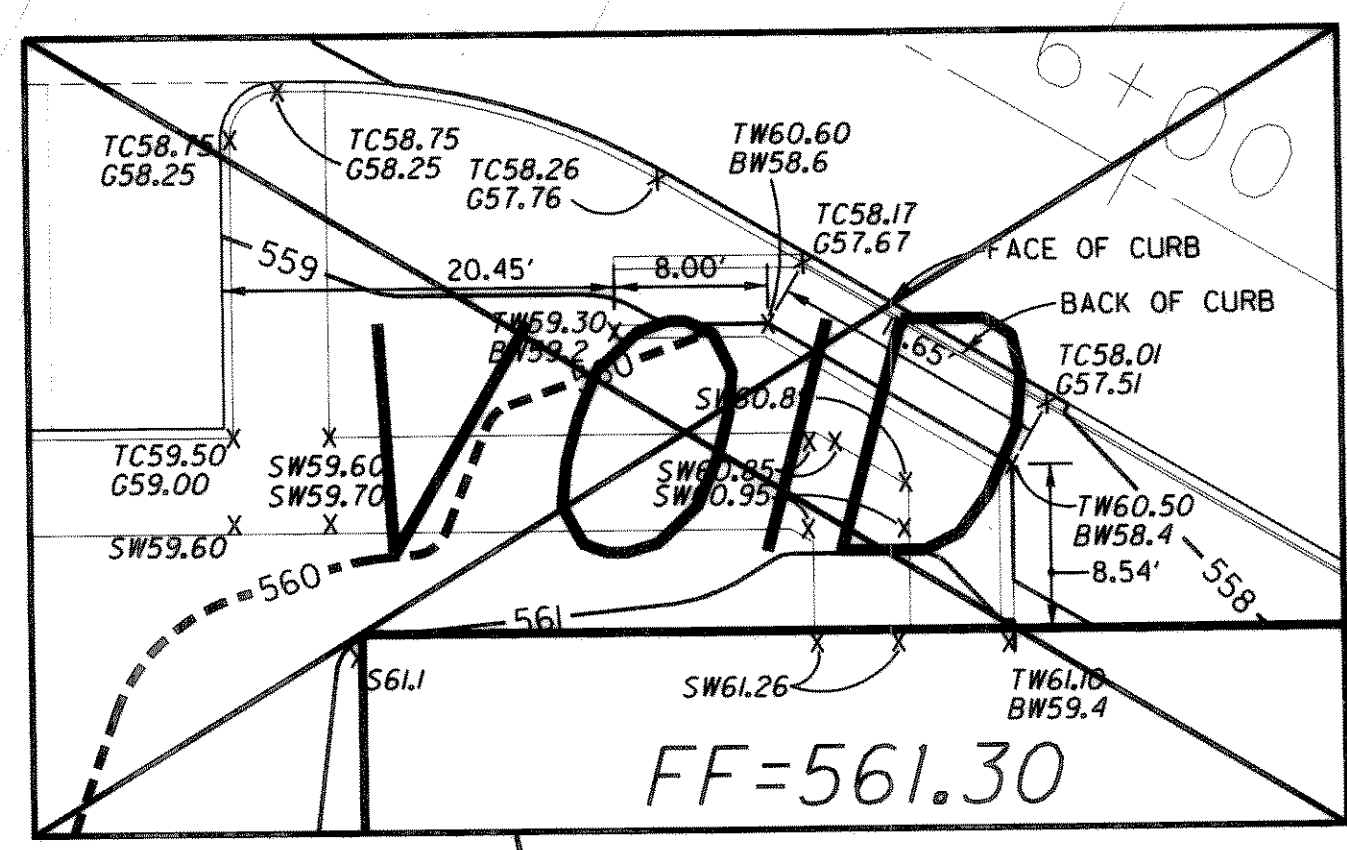
CITY OF ROCKWALL, ROCKWALL COUNTY, TX						
DESIGN	DRAWN	CHECKED	SCALE	DATE	FILE	NO.
JONES	JONES	MARSH	1" = 40'	JUNE 98	01-3110	C2

**RECORD DRAWINGS**  
These drawings have been modified to reflect construction records provided to the Engineer.

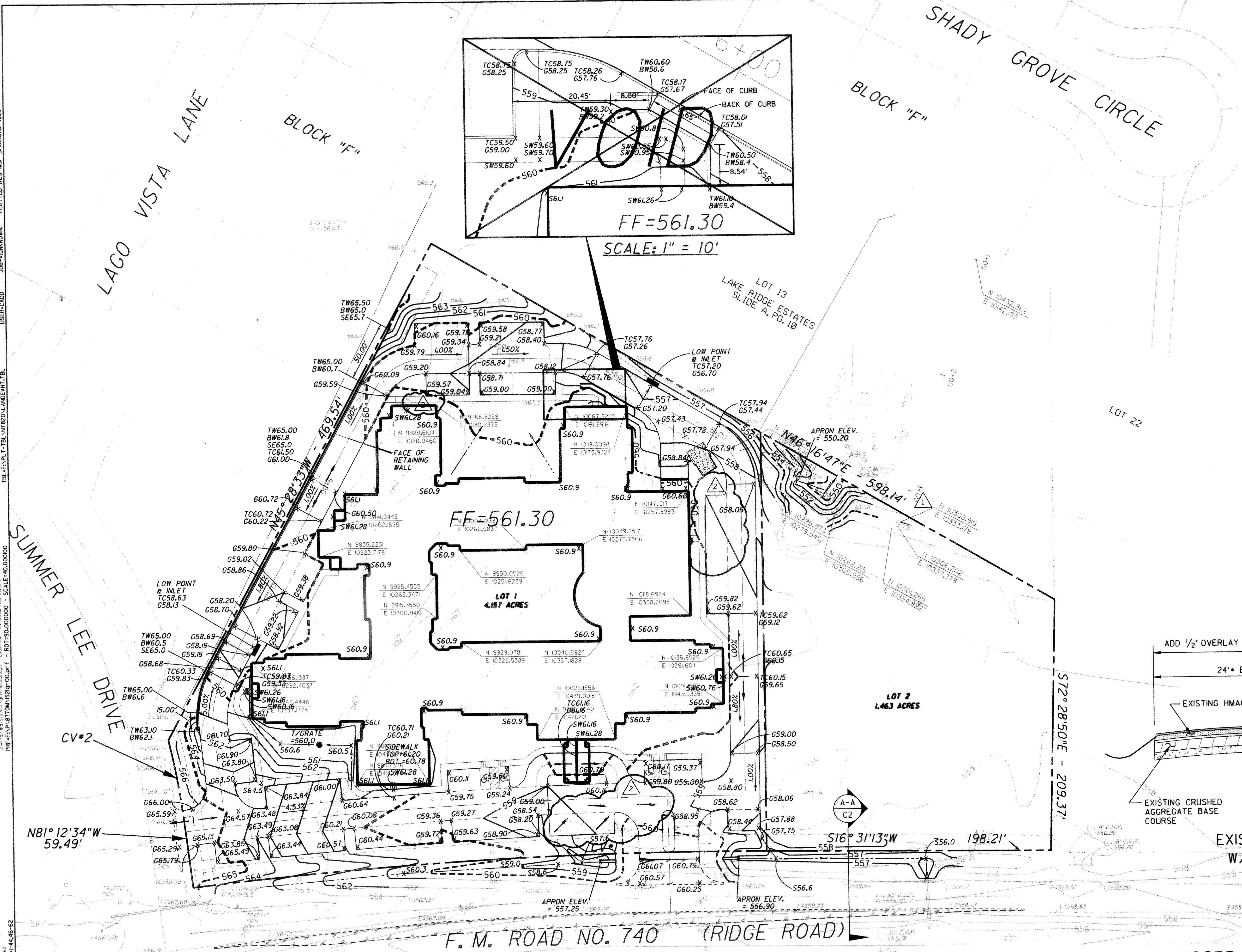


- BENCHMARKS**
- "C" CUT #740 A" PCCR TOP OF CURB SUMMER LEE AND RIDGE DRIVE ELEVATION = 565.68
  - "C" CUT IN INLET #740 B" EAST SIDE OF RIDGE ROAD AND FOX CHASE ENTRANCE. ELEVATION = 540.86

**WARNING**  
BURIED TELEPHONE CABLE  
IN THIS AREA  
USE CAUTION DURING  
EXCAVATION



SCALE: 1" = 10'



TEL: 972.968.1111 FAX: 972.968.1112  
 USER: CAD  
 PLOTTED: Wed Mar 31 10:08:32 1999  
 JOB: (UNKNOW)  
 SCALE: 1" = 40'  
 DATE: 03/31/99  
 DRAWN BY: JONES  
 CHECKED BY: MARSH  
 DATE: 09/10/98  
 DATE: 03/31/99