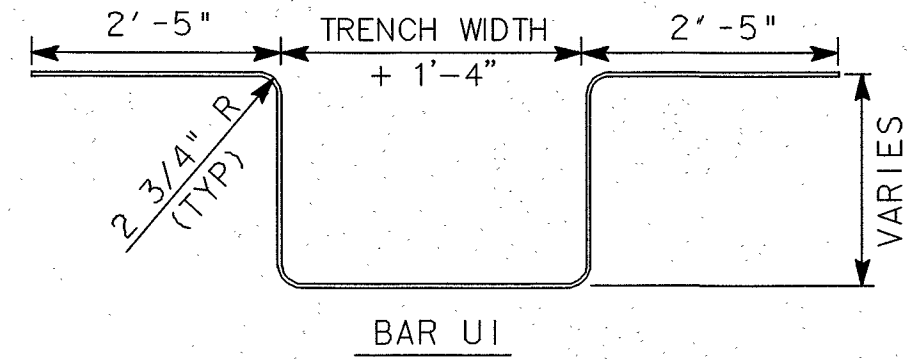
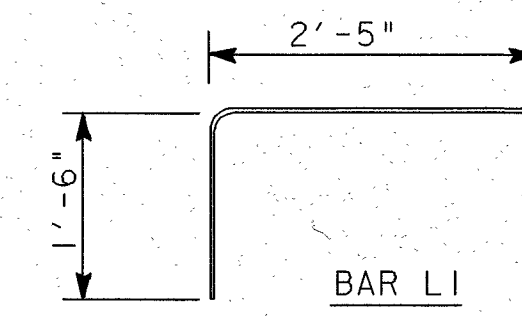


GRATE RETAINER  
PIN-REMOVABLE  
STAINLESS



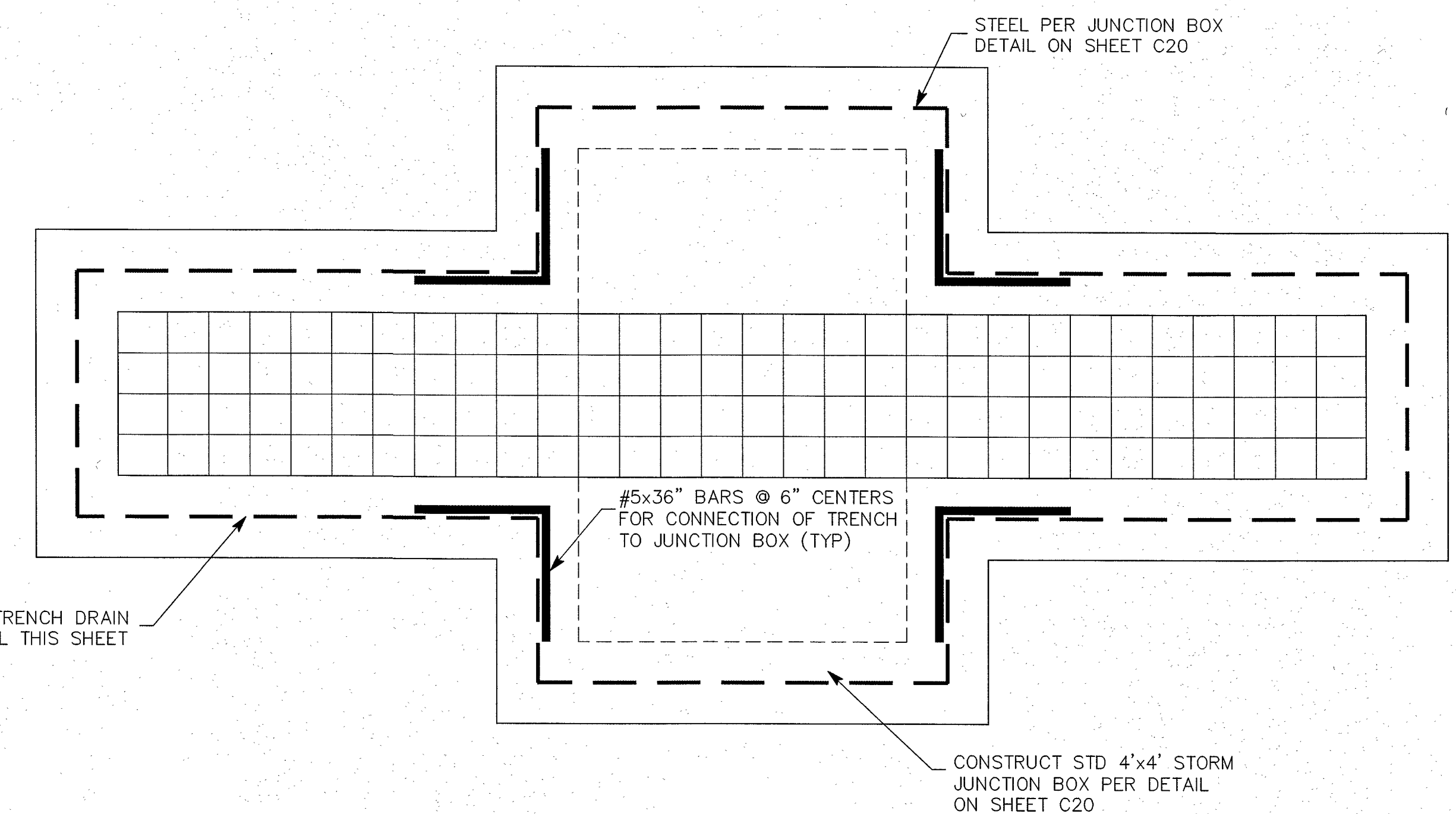
BAR UI



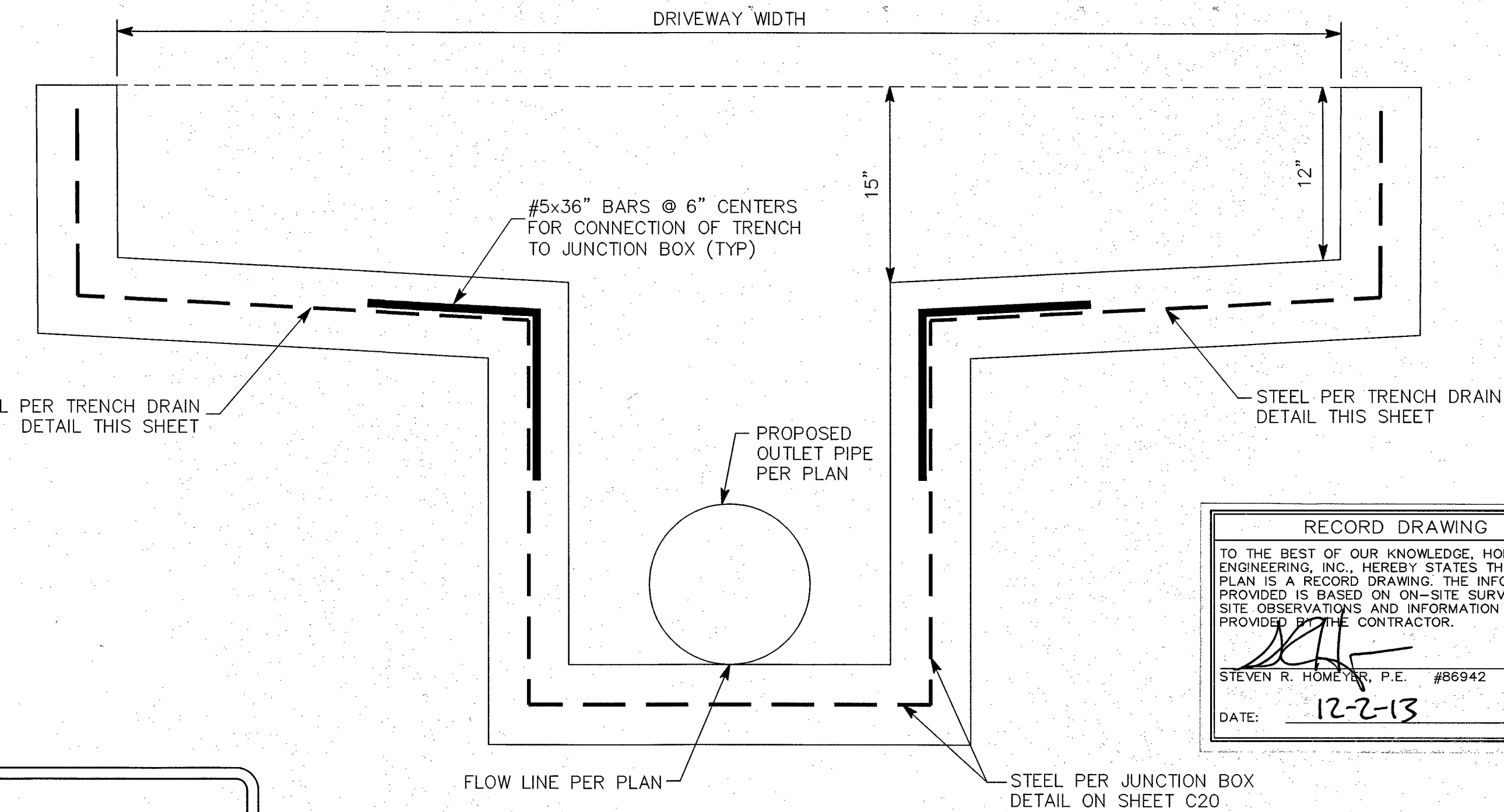
BAR LI

NOTE

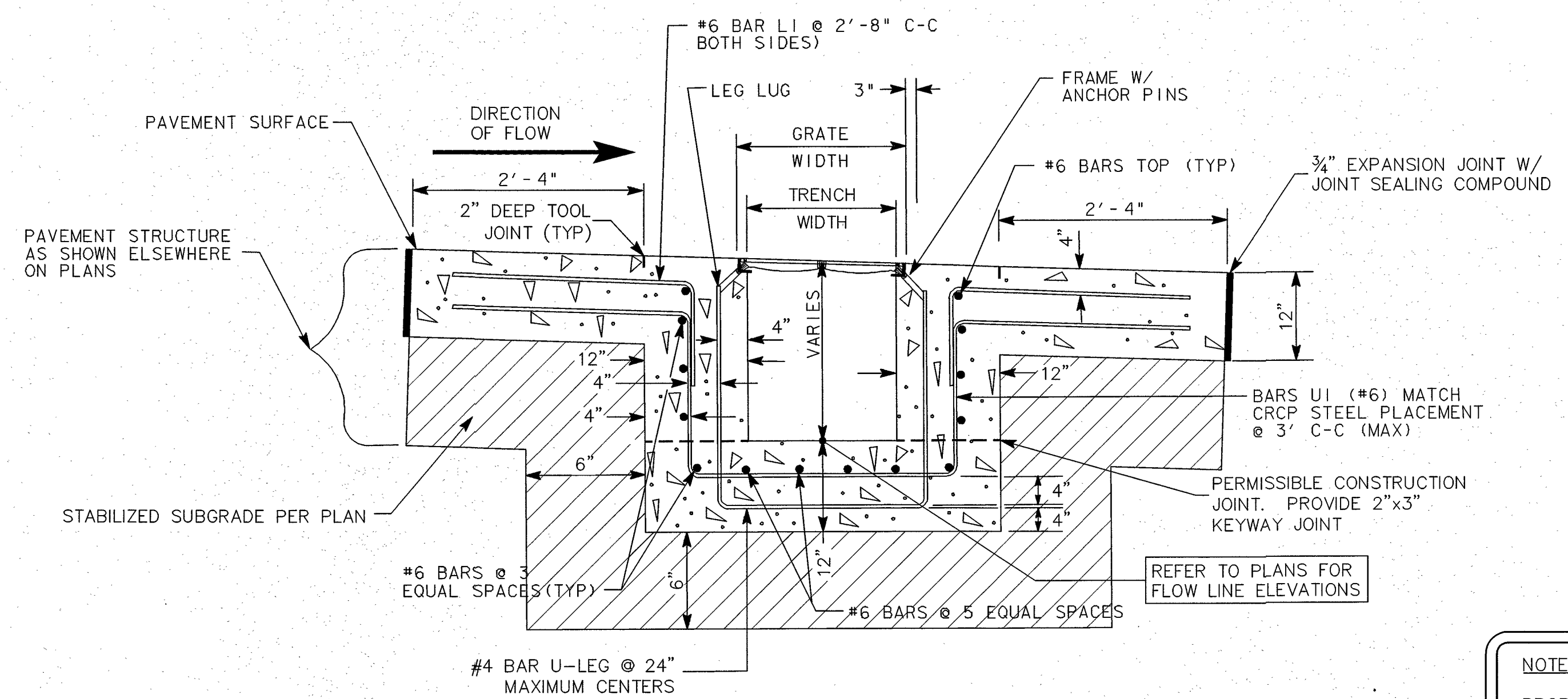
1. PROPRIETARY TRENCH DRAIN SYSTEMS ARE ALLOWED. SUBMIT PRE-CONSTRUCTION DRAWINGS WITH ENOUGH DETAIL TO SHOW HOW TO INTEGRATE INTO THE PLAN DETAILS. SUBMITTALS SHALL MEET MINIMUM REQUIREMENTS, AREAS, AND DIMENSIONS.



PLAN VIEW OF TRENCH DRAIN  
NTS



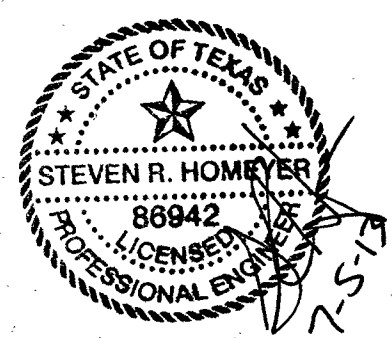
SIDE VIEW OF TRENCH DRAIN  
NTS



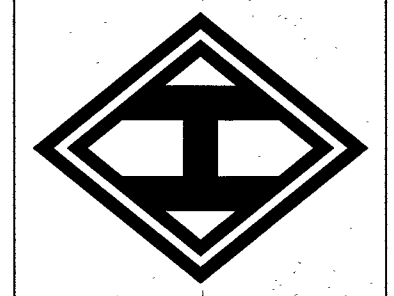
CROSS SECTIONAL VIEW OF TRENCH DRAIN  
NTS

NOTE:  
PROPOSED GRATE SHALL BE A NEENAH FOUNDRY R-4999-L2 VANED TYPE L SERIES INLET GRATE OR EQUAL

RECORD DRAWING  
TO THE BEST OF OUR KNOWLEDGE, HOMEYER ENGINEERING, INC., HEREBY STATES THAT THIS PLAN IS A RECORD DRAWING. THE INFORMATION PROVIDED IS BASED ON ON-SITE SURVEYING, SITE OBSERVATIONS AND INFORMATION PROVIDED BY THE CONTRACTOR.  
STEVEN R. HOMEYER, P.E. #86942  
DATE: 12-2-13



**HOMEYER ENGINEERING, INC.**  
ENGINEERING, INC.  
TBEPE FIRM REGISTRATION NO. F-8440  
P.O. BOX 294527 • LEWISVILLE, TEXAS 75029  
972-906-9985 PHONE • 972-906-9987 FAX  
WWW.HEI.US.COM



ROCK RIDGE ASSISTED LIVING  
AND MEMORY CARE  
LOT 1R, BLOCK A,  
FLAGSTONE CORNERS  
CITY OF ROCKWALL  
ROCKWALL COUNTY, TEXAS

TRENCH DRAIN  
DETAILS

DRAWN: SRH  
DATE: 11/27/12  
HEI #: 12-112  
SHEET NO:  
C14.1