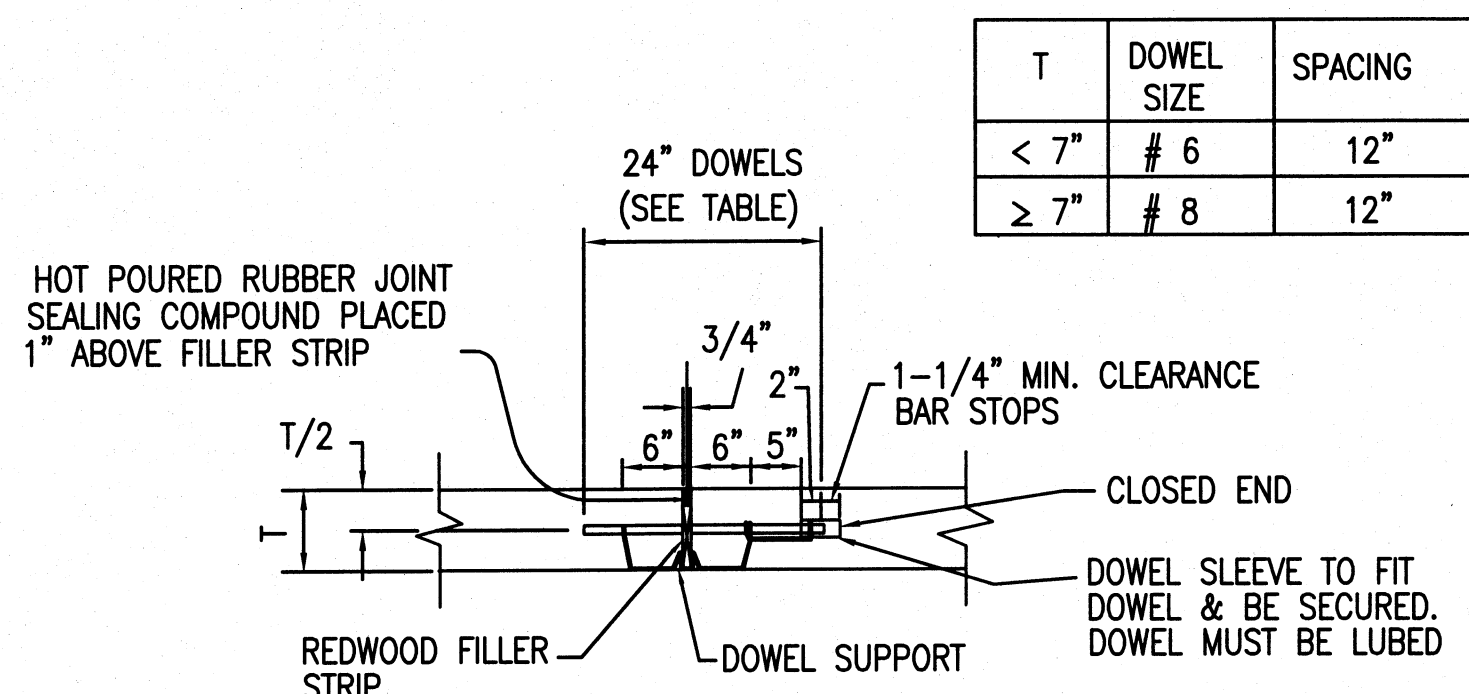


TIE BAR SIZE	LENGTH	SPACING
# 4	30"	18"

### LONGITUDINAL CONSTRUCTION JOINT

SCALE: N.T.S.

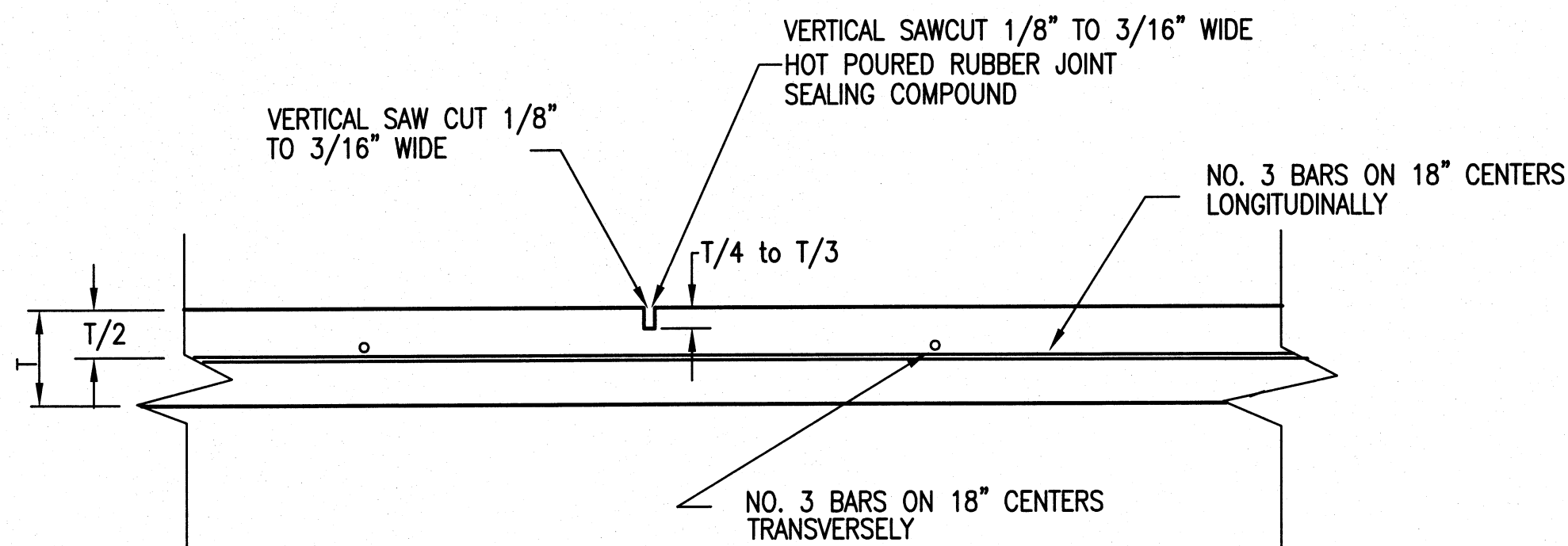


T	DOWEL SIZE	SPACING
< 7"	# 6	12"
≥ 7"	# 8	12"

- NOTES:
- PAVEMENT STEEL IS NOT SHOWN FOR CLARITY AND SHALL STOP 3 INCHES FROM JOINT.
  - EXPANSION JOINTS SHALL BE PLACED AT ALL POINTS OF CURVATURE, POINTS OF TANGENCY AND ALL INTERSECTION CURB RETURN POINTS AND AT THE TERMINATION OF EACH DAY'S POUR. MAXIMUM SPACING SHALL BE 600 FEET.

### TRANSVERSE EXPANSION JOINT

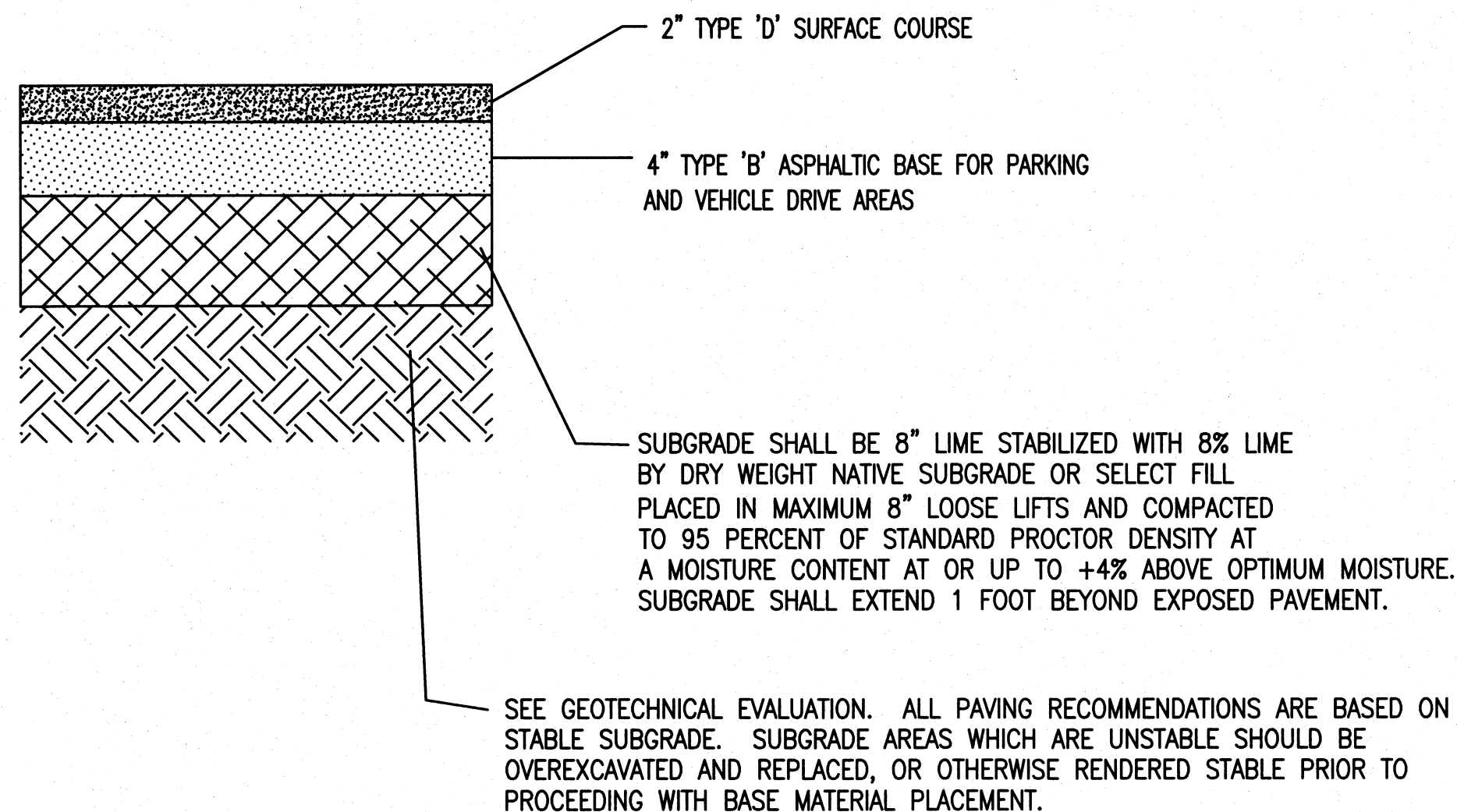
SCALE: N.T.S.



- NOTE: TRANSVERSE JOINTS SHALL BE PLACED AT THE FOLLOWING INTERVALS:
- 6" THICKNESS = 15'
  - 7" & 8" THICKNESS = 15'

### SAWED CONTRACTION JOINT

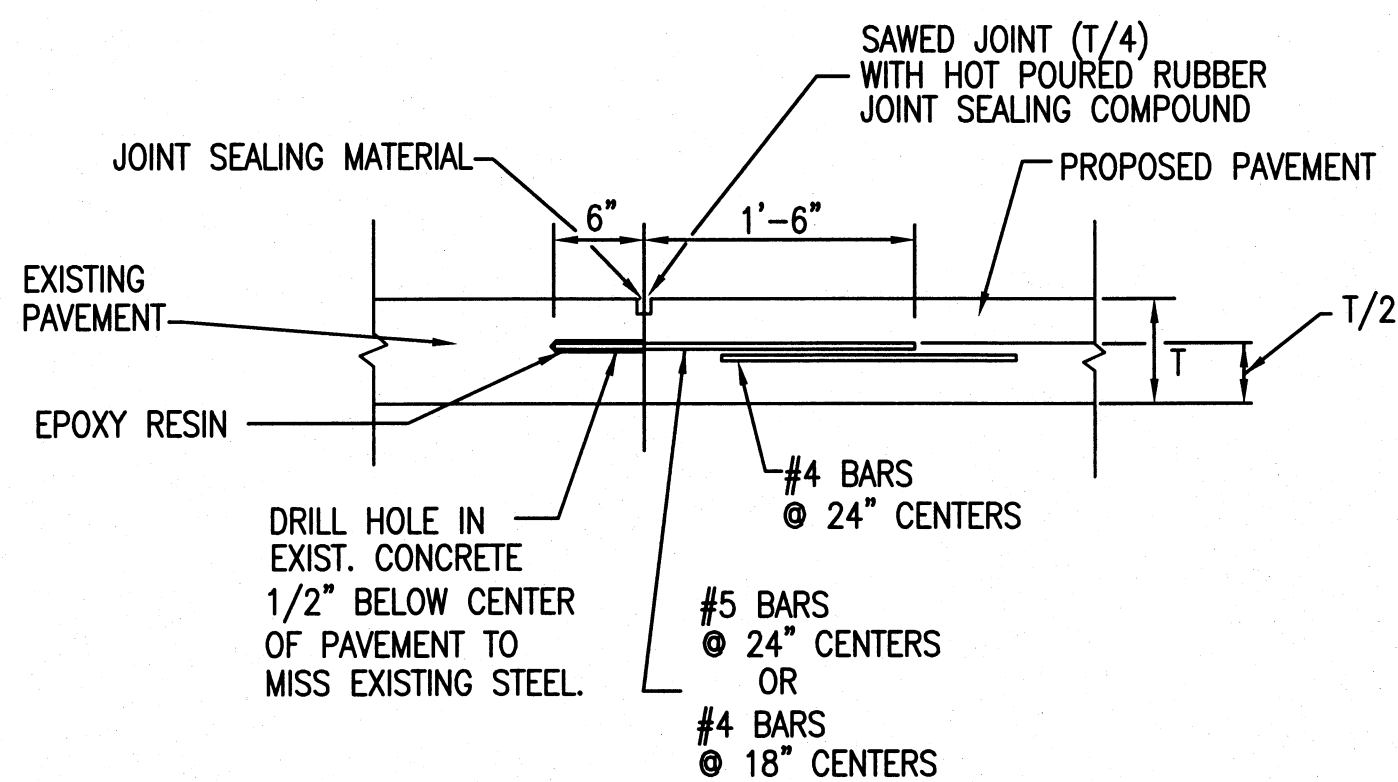
SCALE: N.T.S.



### ALTERNATE PAVING SECTIONS

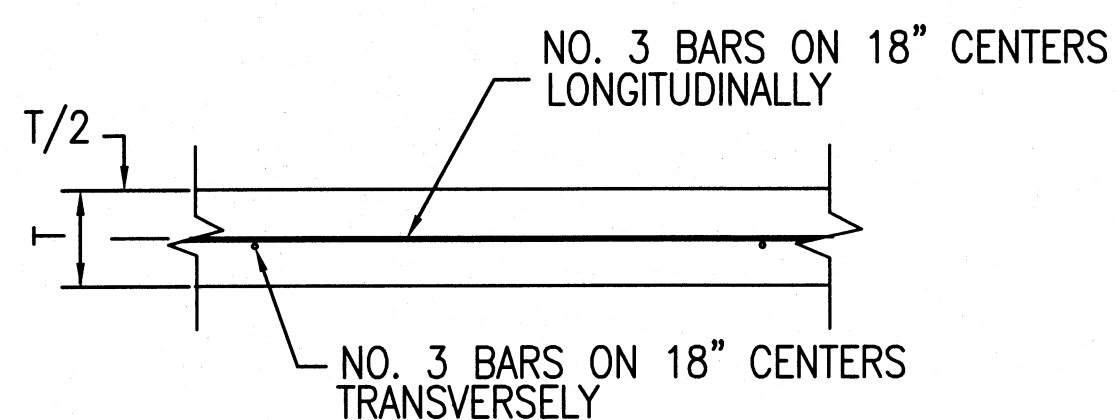
SCALE: NTS

NOT RECOMMENDED FOR DUMPSTER AREAS OR FIRE LANES



### EPOXY TIE BAR

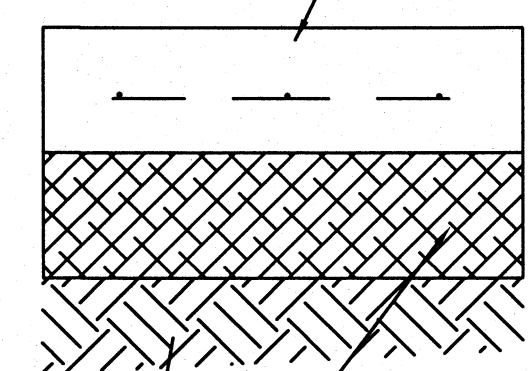
SCALE: N.T.S.



### PAVEMENT REINFORCING

SCALE: N.T.S.

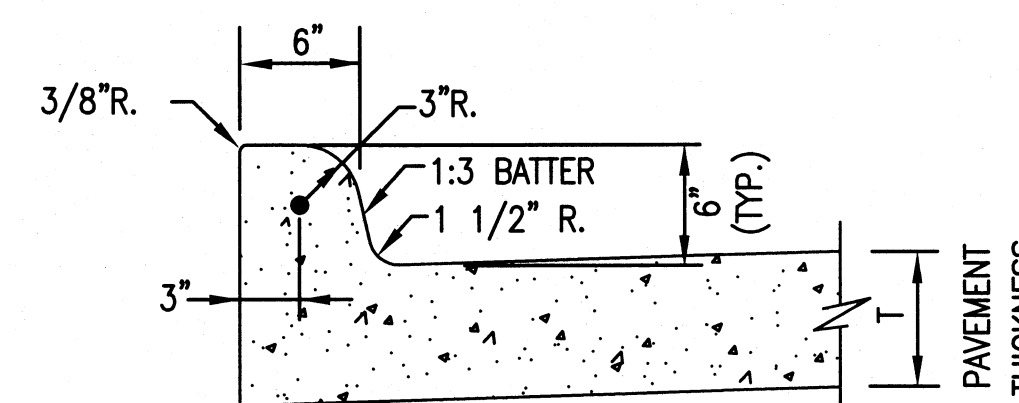
5", 6" AND 7" PORTLAND CEMENT CONCRETE PAVEMENT (MIN. COMPRESSIVE STRENGTH OF 3,700 psi @ 28 DAYS.) WITH 5% ENTRAINED AIR CONSISTENT WITH GEOTECHNICAL REPORT.



SUBGRADE SHALL BE 8" LIME STABILIZED WITH 8% LIME BY DRY WEIGHT NATIVE SUBGRADE OR SELECT FILL PLACED IN MAXIMUM 8" LOOSE LIFTS AND COMPACTED TO 95 PERCENT OF STANDARD PROCTOR DENSITY AT A MOISTURE CONTENT AT OR UP TO +4% ABOVE OPTIMUM MOISTURE. SUBGRADE SHALL EXTEND 1 FOOT BEYOND EXPOSED PAVEMENT.

### PAVING SECTIONS

SCALE: NTS



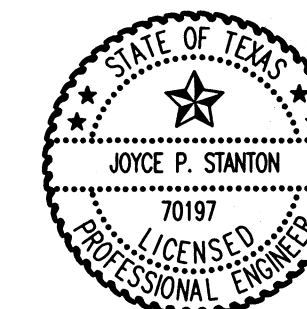
### INTEGRAL CURB & GUTTER

SCALE: NTS

THESE DETAILS ARE NOT FOR USE ON STATE RIGHT OF WAY

#### RECORD DOCUMENT

This Record Document (As Built) has been prepared based on information provided by others. The Engineer has not verified the accuracy and/or completeness of this information and shall not be responsible for any errors or omissions which may be incorporated herein as a result.



*Justen P.E.*  
7/31/2012

<b>DI SCIULLO-TERRY, STANTON &amp; ASSOCIATES, INC.</b> ENGINEERING AND SURVEYING 401-A WEST ABRAM STREET • ARLINGTON, TEXAS 76010 (817) 275-3361 ESTABLISHED 1953 FIRM NUMBER F-615			
<b>PAVING DETAILS</b>			
<b>LOT 22R</b> <b>SKYVIEW COUNTRY ESTATES No. 3</b> ROCKWALL COUNTY, TEXAS			
DESIGNED: JPS	NOT TO SCALE	DATE: NOVEMBER, 2011	SHEET: 13
DRAWN: OAL, JCS		PROJECT No.: E-1030	
CHECKED: JPS			