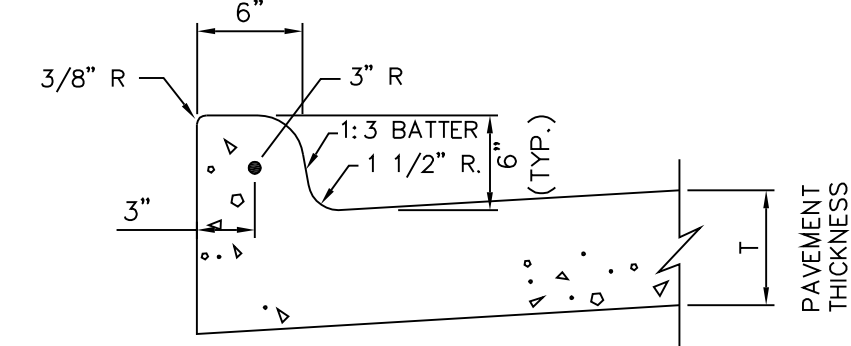
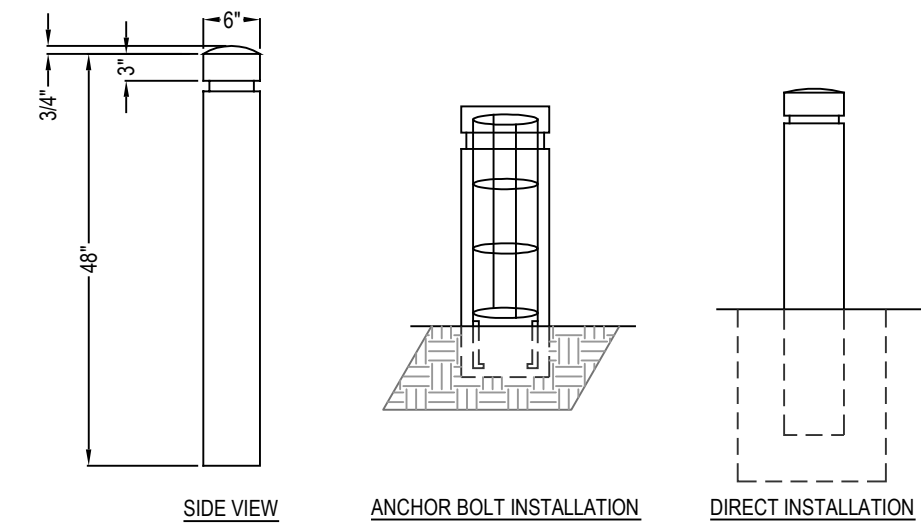


MEDICAL OFFICES DEVELOPMENT

1.46 ACRES PORTION OF
LOT 2, BLOCK "A" ROCKWALL ASSISTED LIVING ADDITION
CITY OF ROCKWALL, ROCKWALL COUNTY, TX

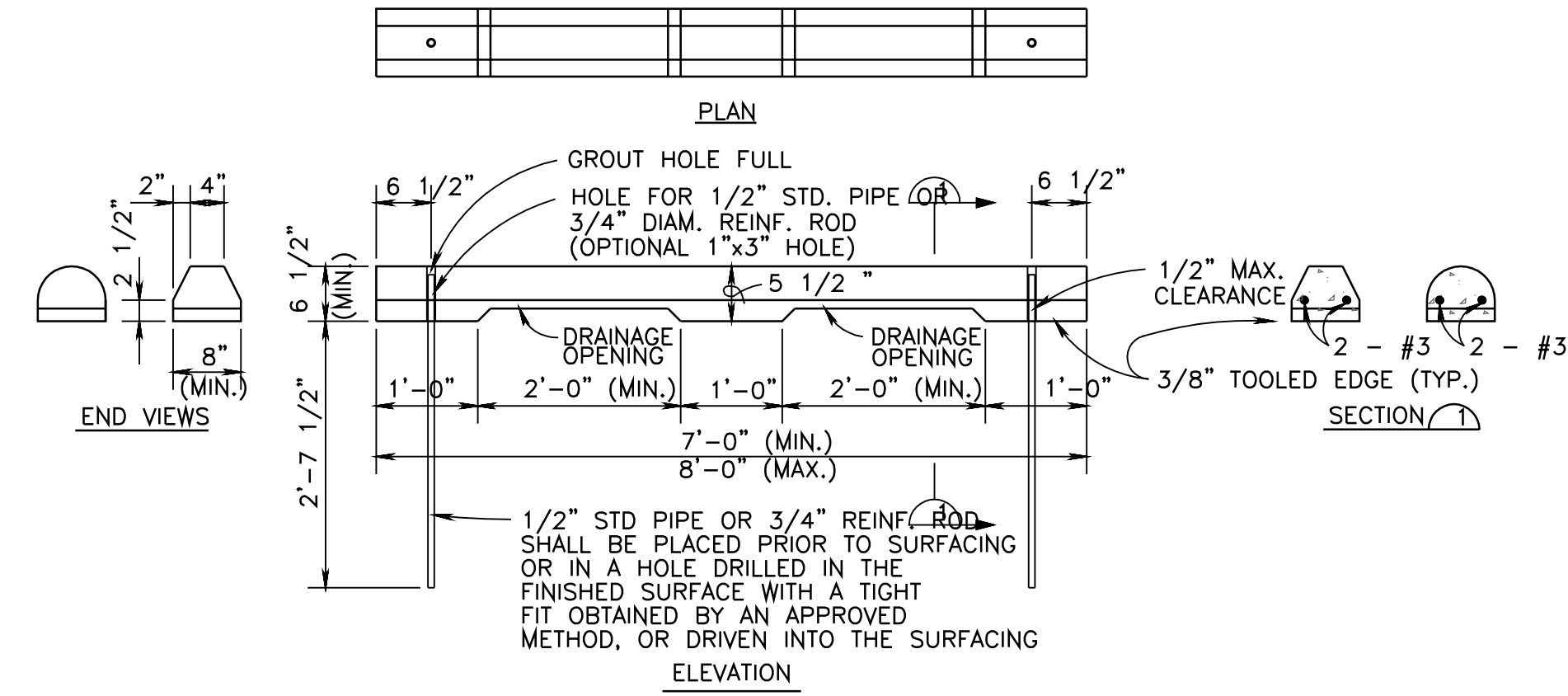


1 TYPICAL CURB DETAIL
7.1 N.T.S.

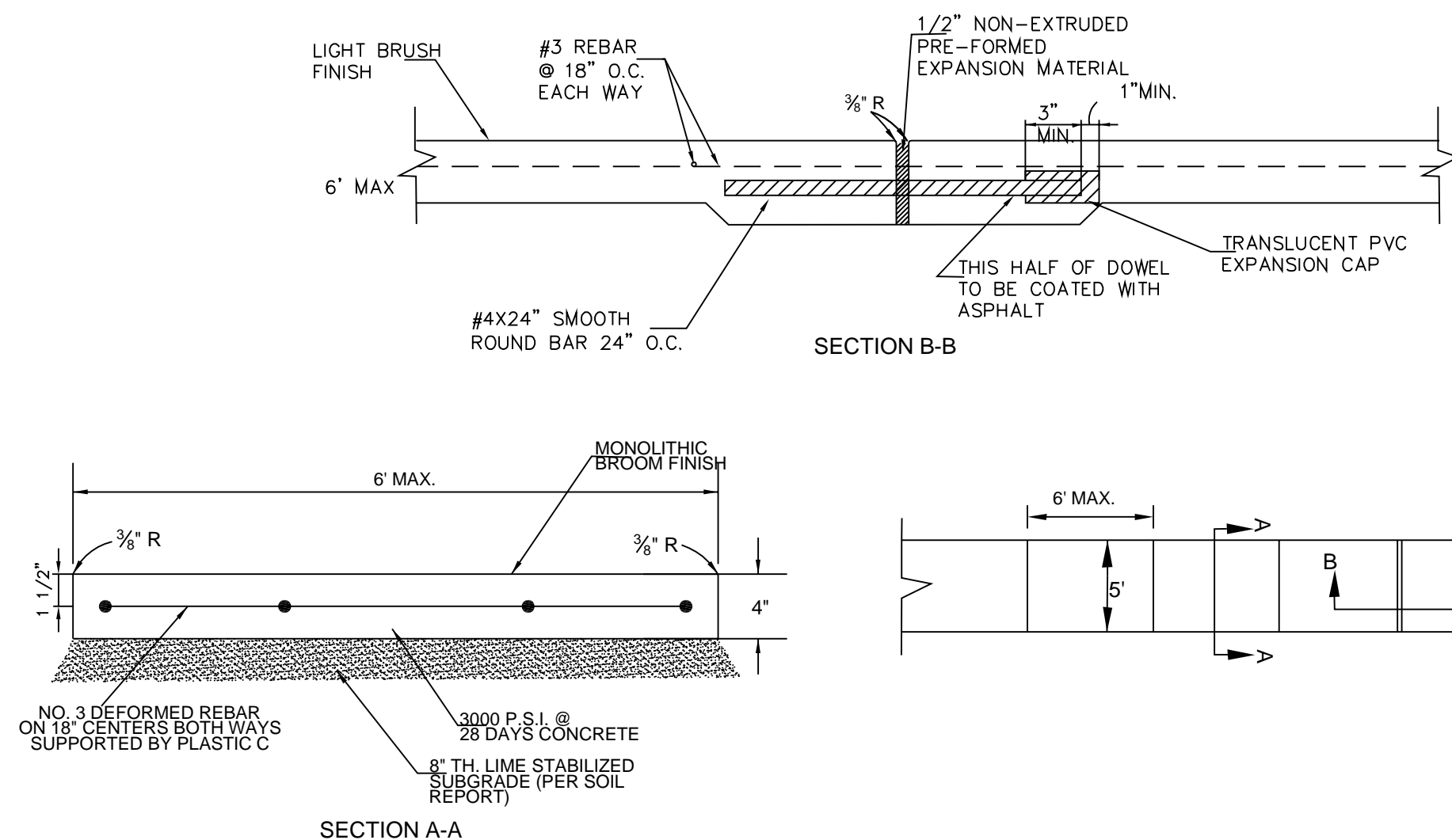


NOTES:
1. ALL DIMENSIONS ARE CONSIDERED TRUE AND REFLECT MANUFACTURER'S SPECIFICATIONS.
2. DO NOT SCALE DRAWING.
3. ONE YEAR WARRANTY AGAINST MANUFACTURER DEFECTS.
4. MATERIALS CONSIST OF 3/8" STEEL REBAR, TYPE 3 PORTLAND CEMENT CONFORMING TO ASTM C31 SPECIFICATIONS.
5. WEIGHT: 30 LBS PER FOOT
6. STRESS LOAD: 5000 PSI AT 28 DAYS
MANUFACTURER: DAWN ENTERPRISES

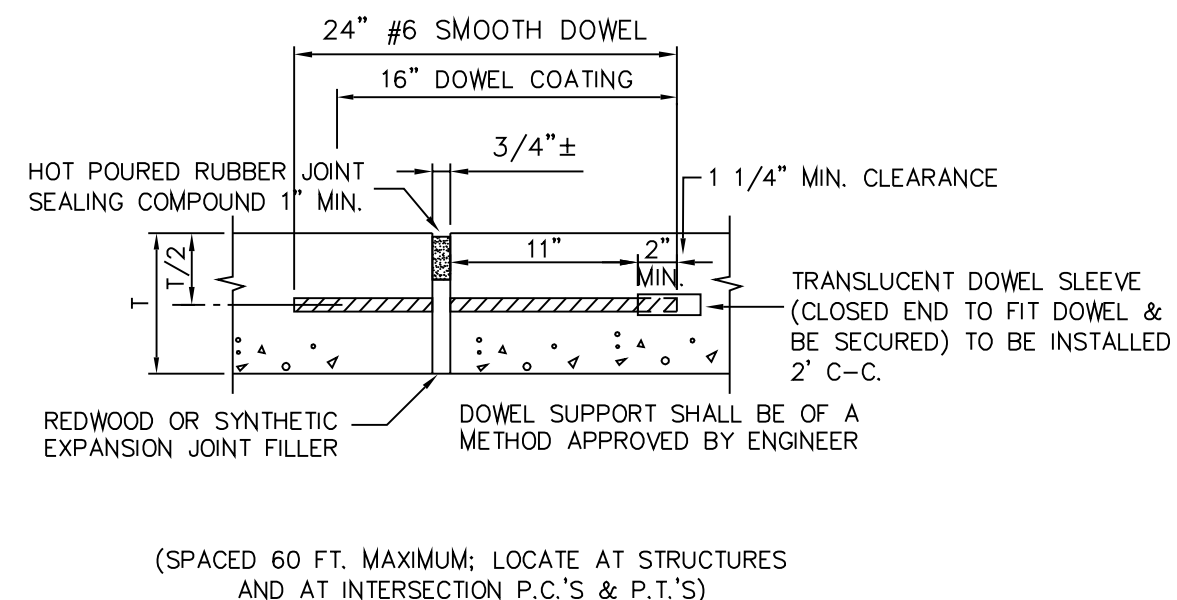
9 6" DIA. PIPE BOLLARD DETAILS
7.1 N.T.S.



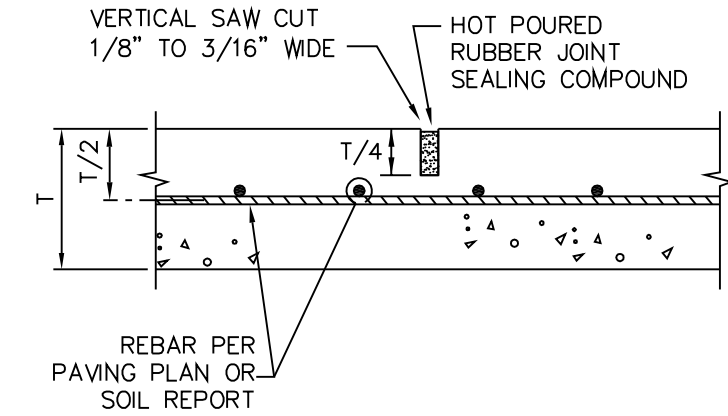
6 PRECAST CONCRETE WHEEL STOP DETAILS
7.1 N.T.S.



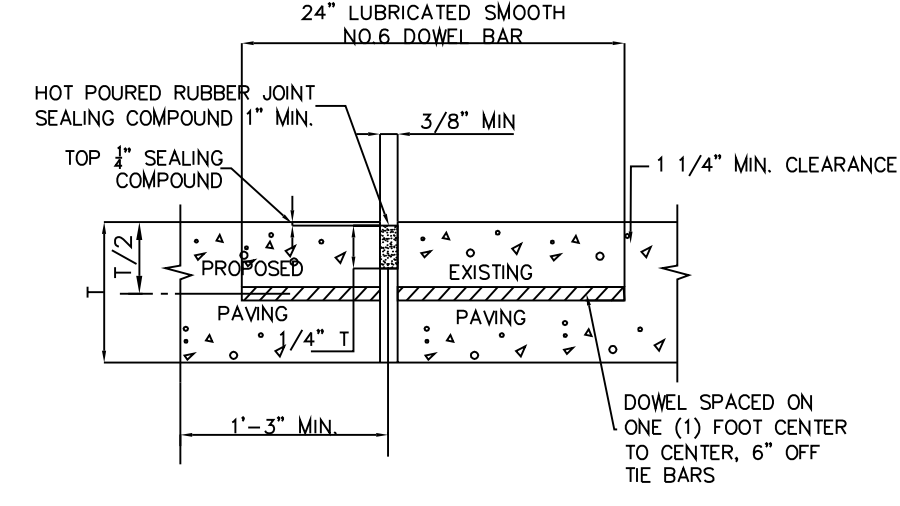
4 SIDEWALK DETAILS
7.1 N.T.S.



2 TYP. EXPANSION JOINT DETAIL
7.1 N.T.S.



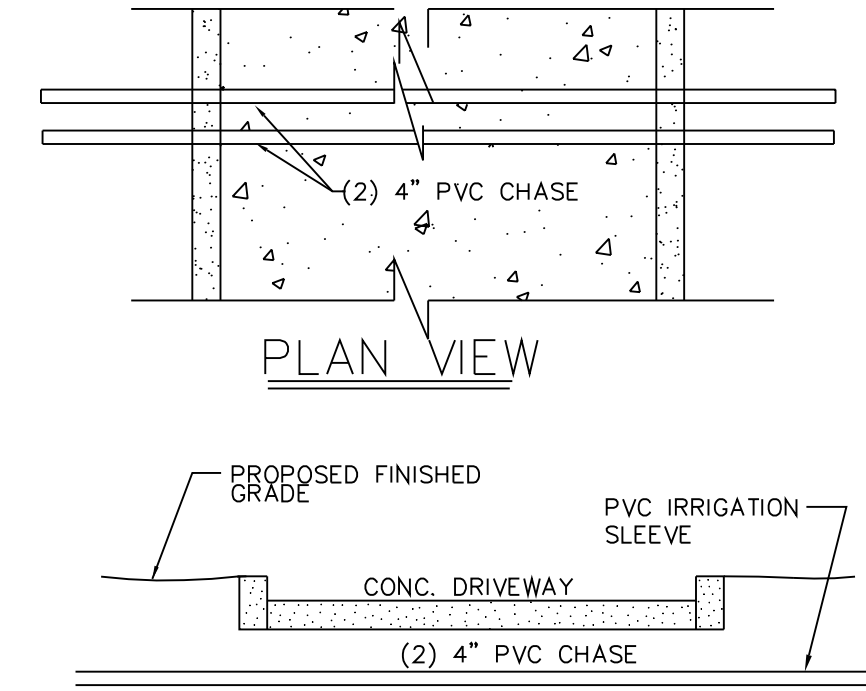
3 TYPICAL SAW CUT DETAIL
7.1 N.T.S.



9 LONGITUDINAL BUTT JOINT
7.1 N.T.S.

NOTE: REFER PHOTOMETRIC PLAN FOR THE LIGHT POLE DETAILS

5 TYPICAL SITE LIGHTING SECTIONS
7.1 N.T.S.



8 IRRIGATION SLEEVES
7.1 N.T.S.

NOTE: USE OF DETAILS AS OUTLINED IN THE STANDARD SPECIFICATION FOR PUBLIC WORKS CONSTRUCTION, NORTH CENTRAL TEXAS, THIRD EDITION AND CITY OF ROCKWALL STANDARDS OF DESIGN AND CONSTRUCTION.

ALL RESPONSIBILITY FOR ADEQUACY OF DESIGN REMAINS WITH THE DESIGN ENGINEER. THE CITY OF ROCKWALL, IN REVIEWING AND RELEASING PLANS FOR CONSTRUCTION, ASSUMES NO RESPONSIBILITY FOR ADEQUACY OR ACCURACY OF DESIGN.

ASBUILT DRAWINGS:
TO THE BEST OF OUR KNOWLEDGE TRIANGLE ENGINEERING LLC., HEREBY STATES THAT THIS PLAN IS ASBUILT. THE INFORMATION PROVIDED IS BASED ON SURVEYING AT THE SITE AND INFORMATION PROVIDED BY THE CONTRACTOR.

KARTAVYA S. PATEL P.E. NO. 97534

TRIANGLE ENGINEERING, LLC.
TX PE FIRM # 11525
1509 ASTORIA DRIVE, ALLEN, TX 75013
PHONE: 214-609-9271

NO.	DATE	DESCRIPTION
1	05/25/2015	FINAL ASBUILT SUBMITTAL

STATE OF TEXAS
KARTAVYA S. PATEL
97534
LICENSED PROFESSIONAL ENGINEER

MEDICAL OFFICE
3018 RIDGE ROAD
ROCKWALL, TEXAS

DETAILS-1	
SHEET #	REVISION #
7.1	