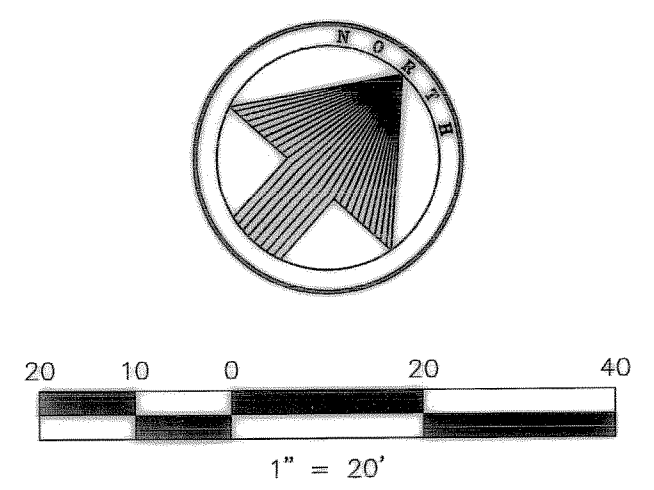


STR. SEWER C.L. CURVE DATA

CV1	CV2
D=29'25"05"	D=22'33"14"
R=125.00'	R=70.00'
T=32.81'	T=13.96'
L=64.18'	L=27.56'
P.C.=0+04.50	P.C.=0+00
P.T.=0+68.68	P.T.=0+27.56

**CAUTION!!!**  
 EXISTING UTILITIES AND UNDERGROUND FACILITIES INDICATED ON THESE PLANS HAVE BEEN LOCATED FROM REFERENCE INFORMATION. IT SHALL BE THE RESPONSIBILITY OF THE CONTRACTOR TO VERIFY BOTH HORIZONTALLY AND VERTICALLY THE LOCATION OF ALL EXISTING UTILITIES AND UNDERGROUND FACILITIES PRIOR TO CONSTRUCTION, TO TAKE NECESSARY PRECAUTIONS IN ORDER TO PROTECT ALL FACILITIES ENCOUNTERED. THE CONTRACTOR SHALL PRESERVE AND PROTECT ALL EXISTING UTILITIES FROM DAMAGE DURING CONSTRUCTION.



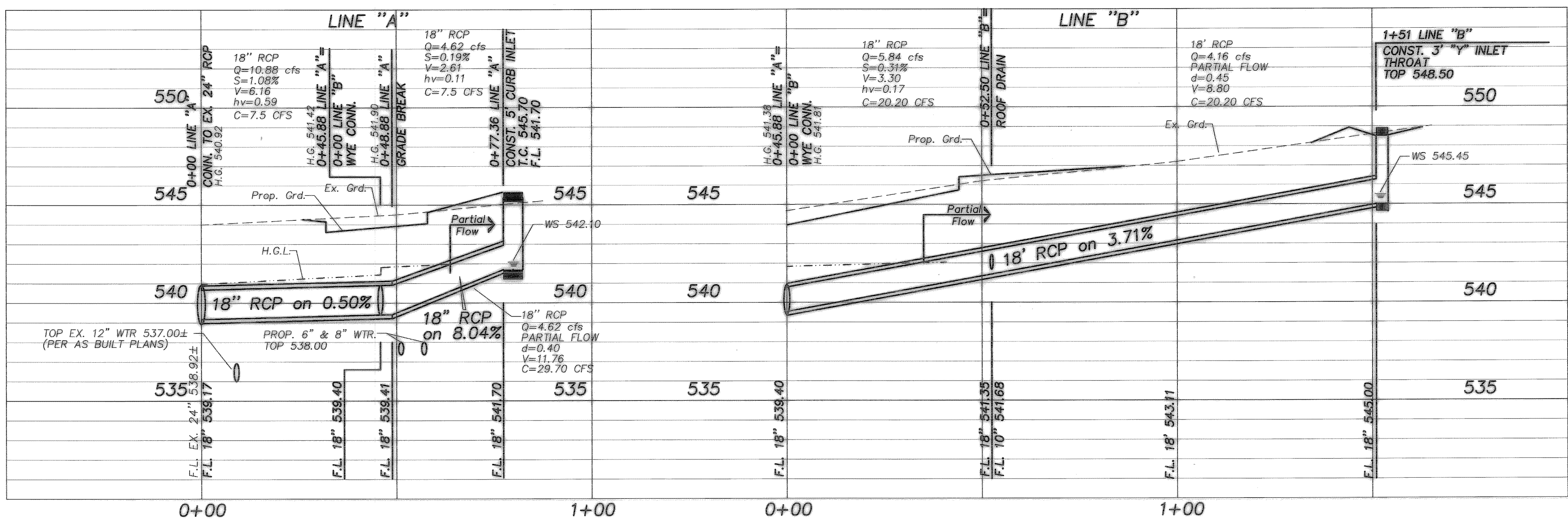
**LEGEND**

- EX. CONTOUR: --- 550 ---
- DRAINAGE DIVIDE: ■■■■■■■■■■
- FLOW DIRECTION: →
- AREA NO.: ○
- RUNOFF - Q<sub>100</sub>: ○

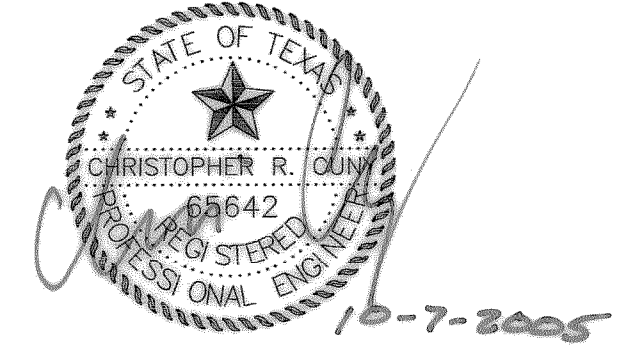
**DRAINAGE CALCULATIONS**

AREA NO.	AREA (AC.)	C	I 100	Q100	COMMENTS
1	0.40	0.90	9.80	3.53	TO "Y" INLET
2	0.12	0.90	9.80	1.05	ROOF DRAINS
3	0.19	0.90	9.80	1.68	ROOF DRAINS
4	0.52	0.90	9.80	4.62	TO CURB INLET
5	0.15	0.90	9.80	1.35	TO RALPH HALL PKWY.
6	0.07	0.90	9.80	0.62	TO RALPH HALL PKWY.
7	0.03	0.90	9.80	0.26	TO RALPH HALL PKWY.
8	0.32	0.90	9.80	2.82	TO EXIST INLET

Design Criteria Based on 100 Year Storm Frequency



THE SEAL APPEARING ON THIS DOCUMENT WAS AUTHORIZED BY CHRISTOPHER R. CUNY, P.E. 65642



**CONSTRUCTION RECORD DRAWINGS**  
 10/07/2005

**DRAINAGE AREA MAP/DRAINAGE PLAN & PROFILES**  
 Rehab Management and Office Complex  
 Gordon Van Amburgh  
 City of Rockwall, Rockwall County, Texas

**F.C. CUNY CORPORATION**  
 #2 Horizon Court • Heath, Texas 75032 • 469-402-7700

Drawn By:	Checked By:	Date:	Scale:	Project No.:	Sheet No.:
MW	JW	December 04	1" = 20'	04-003	6 of 8