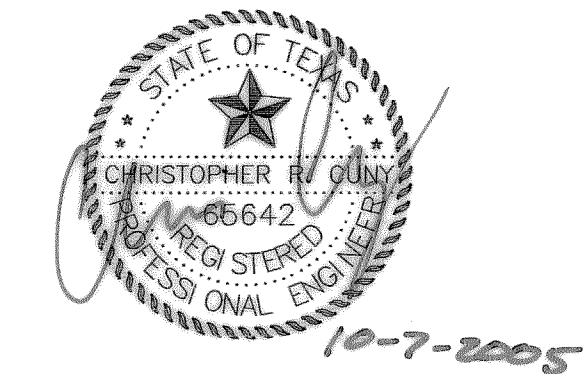


**LEGEND**

EX. CONTOUR	---	540
PROP. CONTOUR	—	540
FLOW DIRECTION	→	
SPOT ELEVATION	▲	48.0
FINISH FLOOR ELEV.	F.F.	550.00
TSW		TOP OF SIDEWALK
TW		TOP OF WALL

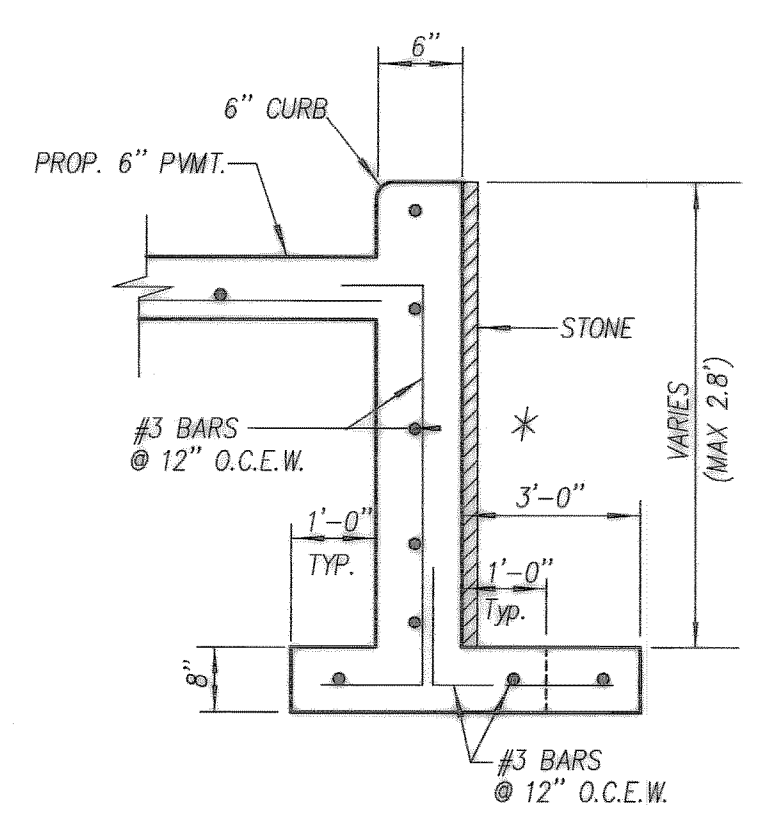
NOTE:  
ALL PROP. SPOT ELEVATIONS SHOWN ARE GUTTER  
OR TOP OF PAVEMENT UNLESS OTHERWISE NOTED.

THE SEAL APPEARING ON THIS DOCUMENT WAS AUTHORIZED BY CHRISTOPHER R. CUNY, P.E. 65642

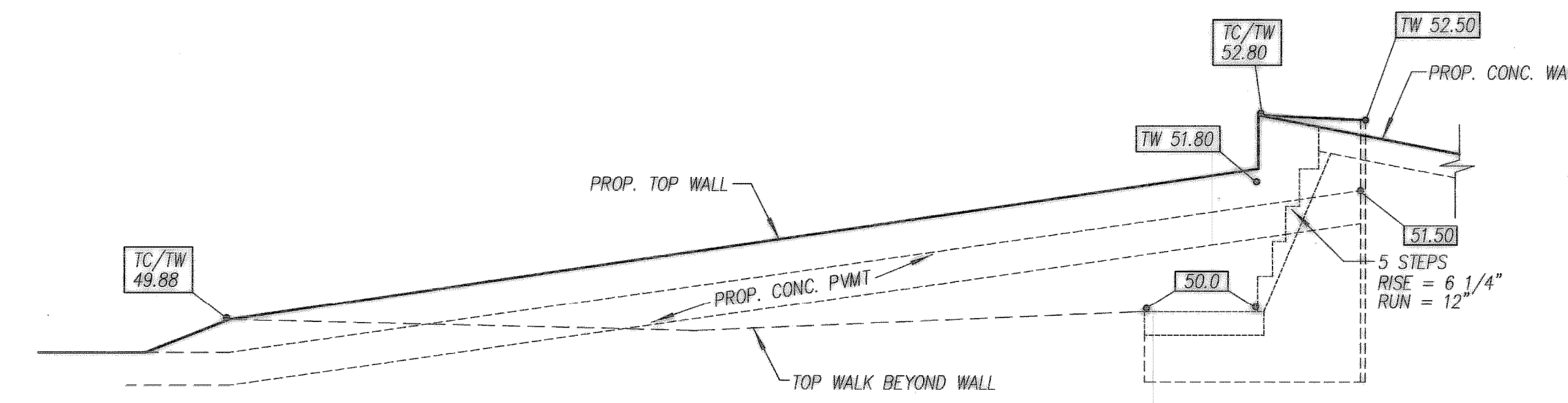


**CONSTRUCTION RECORD DRAWINGS**  
10/07/2005

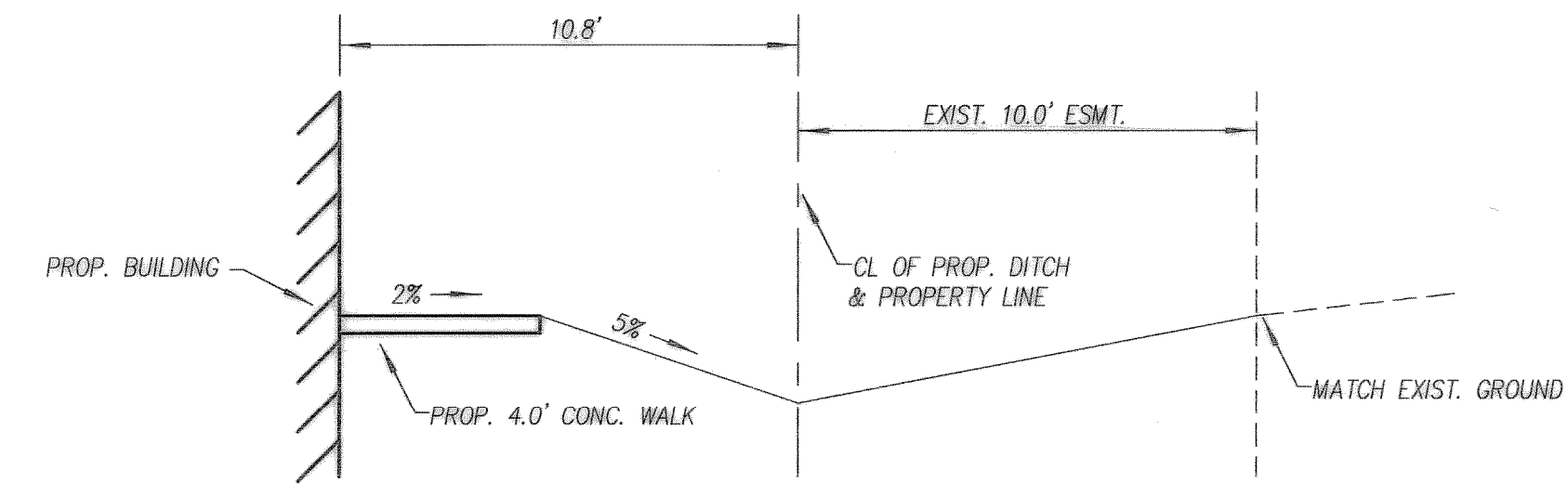
<b>GRADING PLAN</b>				
<b>Rehab Management and Office Complex</b>				
Gordan Van Amburgh				
City of Rockwall, Rockwall County, Texas				
<b>F.C. CUNY CORPORATION</b>				
#2 Horizon Court • Heath, Texas 75032 • 469-402-7700				
Drawn By:	Checked By:	Date:	Scale:	Project No.:
MW	JW	December 04	1" = 20'	04-003
				Sheet No.:
				4 of 8



**WALL DETAIL**  
N.T.S.  
\* WALL @ END OF BUILDING & BACK OF CURB TO HAVE A 3'-0" FOOTING.



**SECTION A-A**  
N.T.S.



**SECTION B-B**  
N.T.S.

D:\Projects\16-Commercial\161shier\REHAB-RD.dwg Fri Oct 07 12:10:29 2005