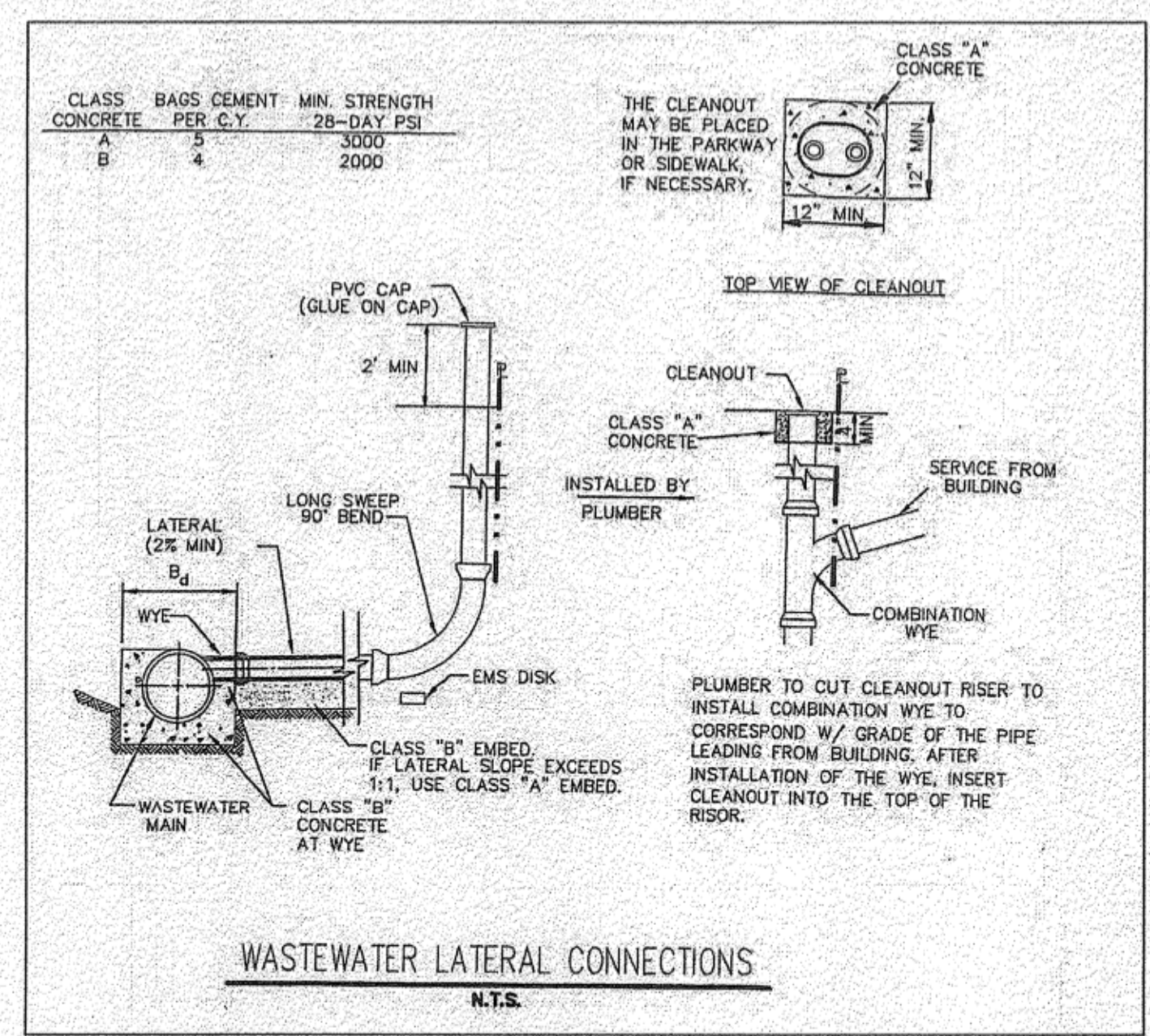
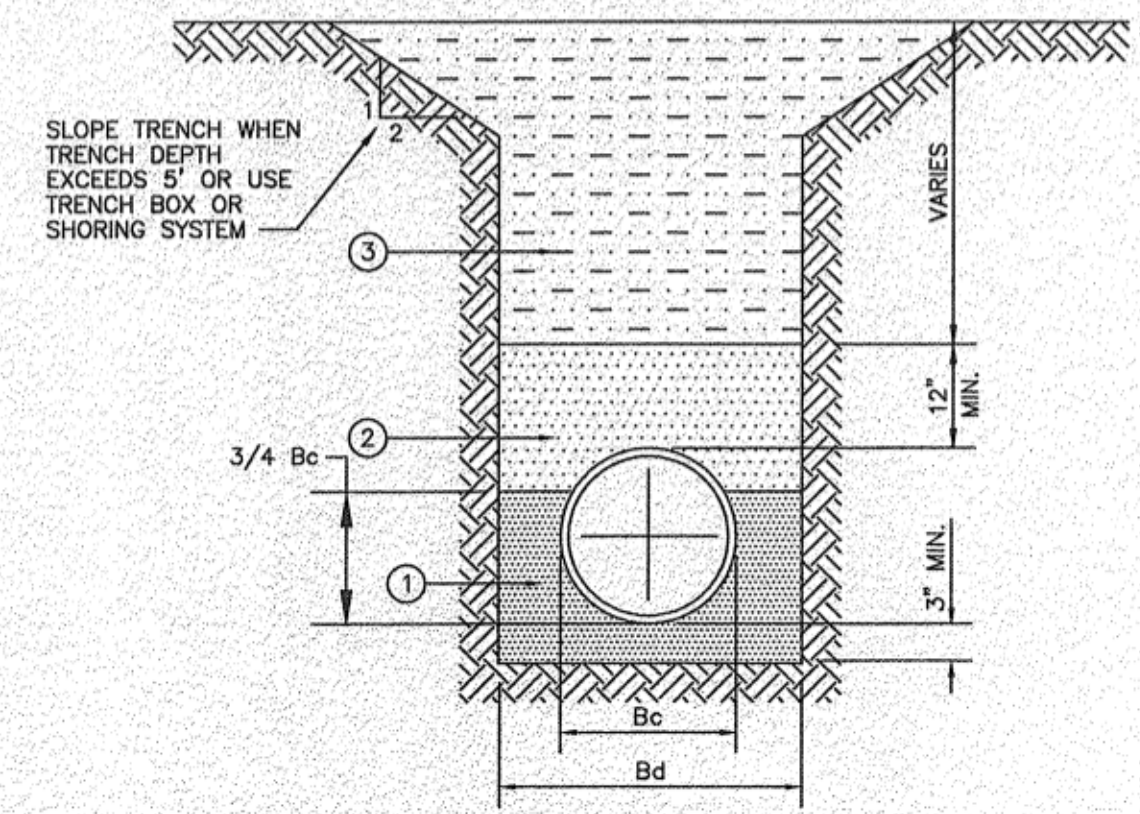


- NOTES:**
1. THE WORDS "WASTEWATER LATERAL CLEANOUT" SHALL BE CAST INTO TOP OF COVER.
  2. MATERIALS TO BE CAST IRON, P.V.C. OR ABS PLASTIC.



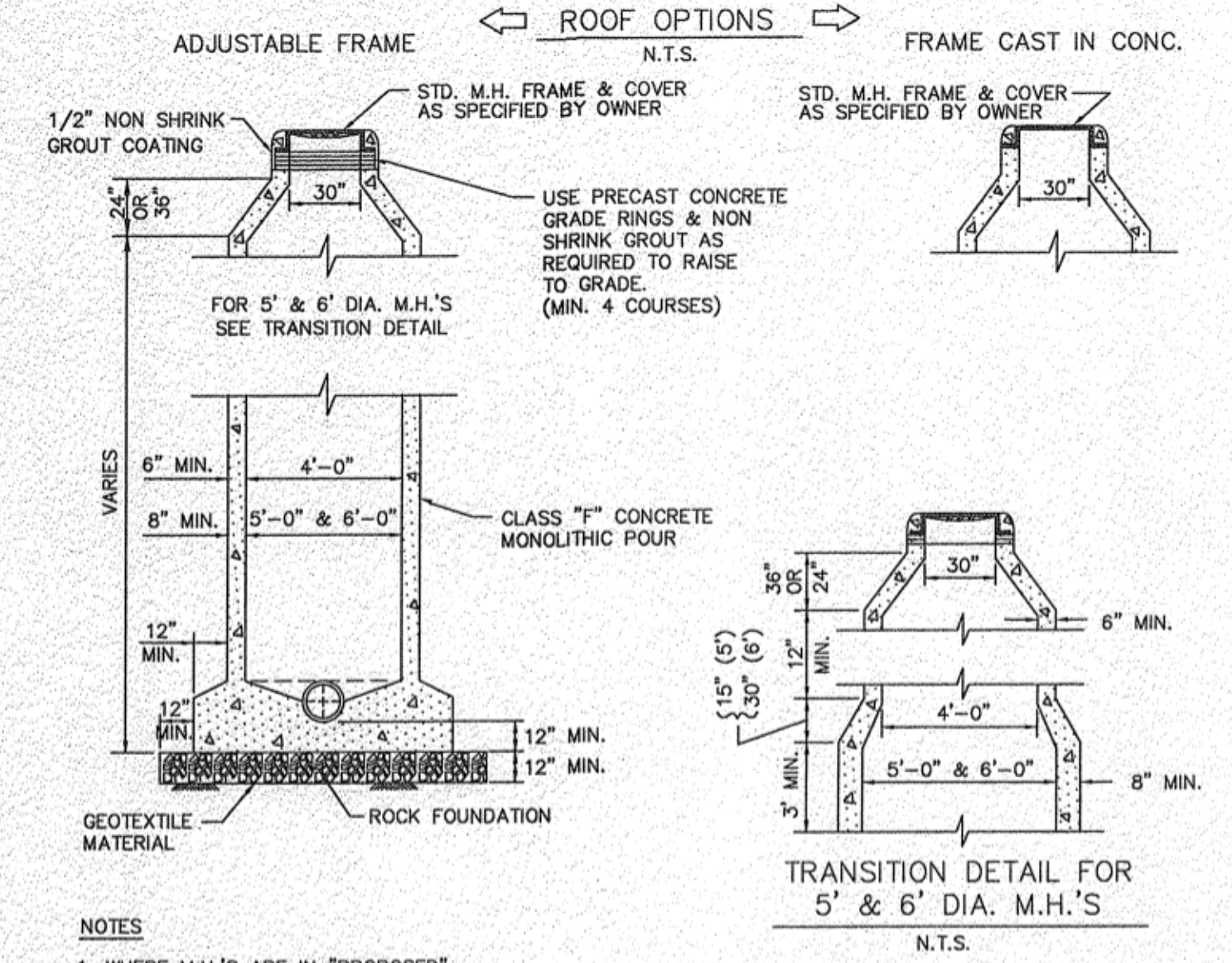
**WASTEWATER LATERAL CONNECTIONS**  
N.T.S.



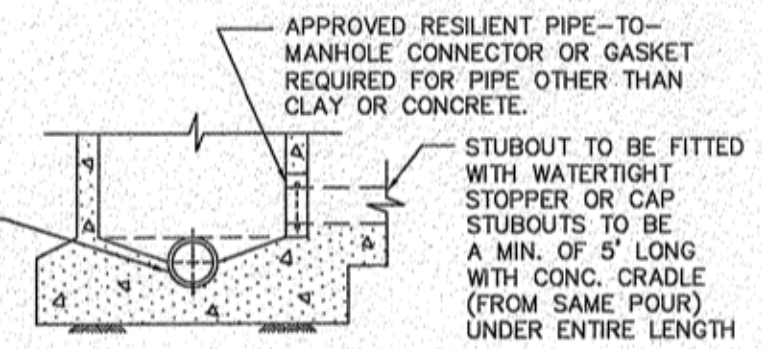
1. FINE GRADATION CRUSHED STONE - TOP LAYER IS TO BE PLACED TO GRADE TO PROVIDE UNIFORM SUPPORT OF PIPE BARREL. EXCAVATE BELL HOLES.
2. SELECT MATERIAL FREE OF ROCKS, CLUMPS OR DEBRIS LARGER THAN 6" IN GREATEST DIMENSION. COMPACT TO 95% STANDARD PROCTOR DENSITY. UNDER STRUCTURES, ROADWAYS AND PAVEMENT, EXCLUDE MATERIAL WITH LL >50 COMPACT TO 95% STANDARD PROCTOR DENSITY. GRANULAR MATERIAL MUST BE WELL GRADED.

**SANITARY SEWER EMBEDMENT**  
**CLASS "B-2"**

SIZE OF PIPE IN INCHES DIA.	KIND OF PIPE	EXTERNAL DIA. (Bc) IN INCHES	TRENCH WIDTH (Bd) IN INCHES
6"	PVC SEWER PIPE	6.28	24
8"	PVC SEWER PIPE	8.16	24
10"	PVC SEWER PIPE	10.2	26

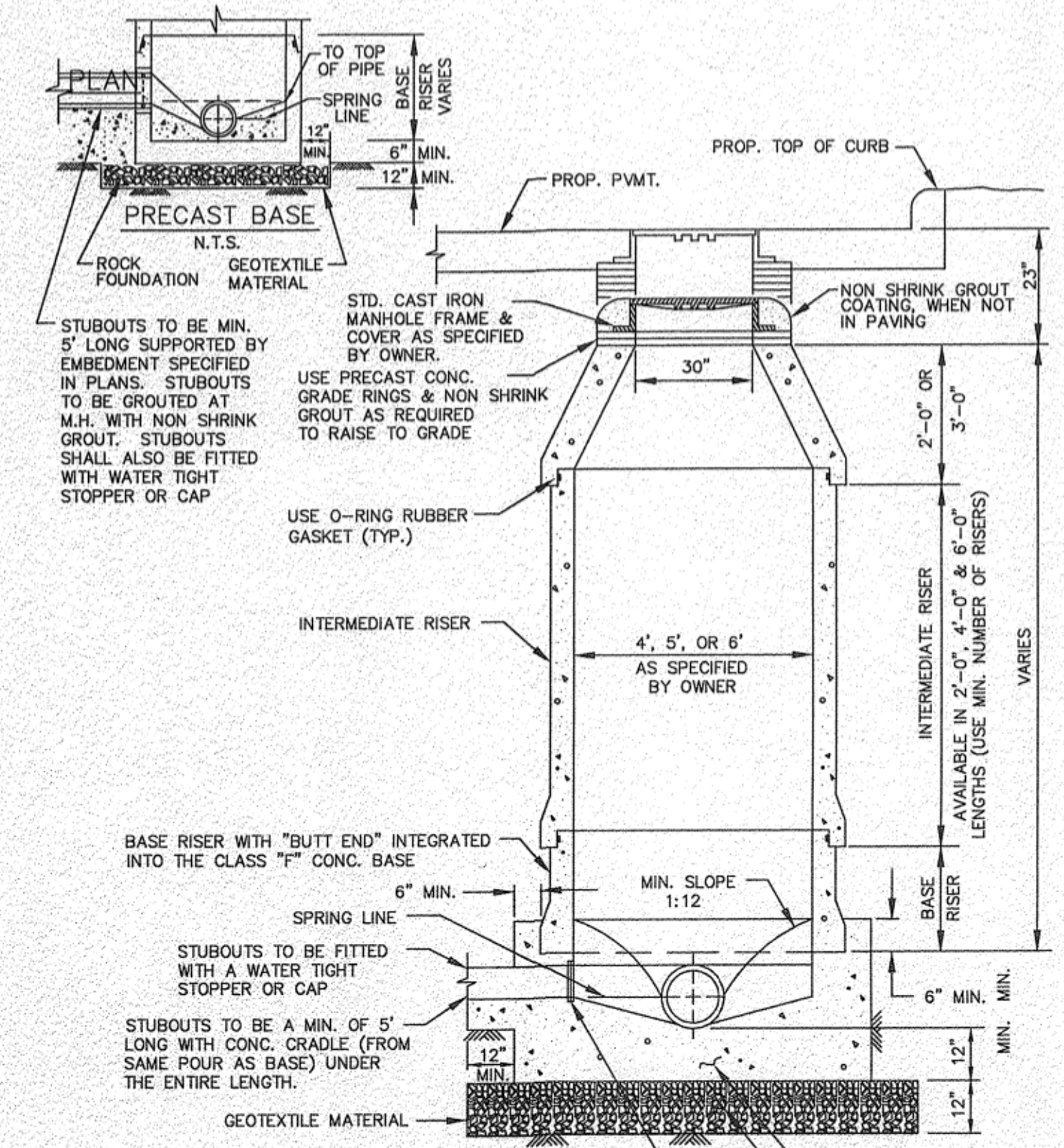


- NOTES:**
1. WHERE M.H.'S ARE IN "PROPOSED" PAVING, FRAME & COVER SHALL BE SET 23" BELOW THE PROPOSED PAVEMENT GRADE.
  2. IF FALSE M.H. BOTTOMS ARE REQUIRED THEY SHALL BE CONSTRUCTED, INSTALLED AND REMOVED, PER STD. DWG. NO. 5100.



**STUBOUT CONNECTION**  
N.T.S.

**WASTEWATER MANHOLE**  
**CAST IN PLACE**



- NOTES:**
1. FIRST MAIN LINE JOINT TO BE A MIN. OF 5' LONG WITH CONC. CRADLE (FROM SAME POUR AS BASE) UNDER THE ENTIRE LENGTH.
  2. IF FALSE M.H. BOTTOMS ARE REQUIRED, THEY SHALL BE CONSTRUCTED, INSTALLED AND REMOVED PER STD. DWG. NO. 5100.

**RECORD DRAWINGS**

To the best of our knowledge Engineering Concepts & Design, L.P., hereby states that this plan is As-Built. This information provided is based on surveying at the site and information provided by the contractor.

*Todd Winters* 7.14.14  
TODD WINTERS DATE

RELEASED FOR CONSTRUCTION  
ALL RESPONSIBILITY FOR ADEQUACY OF DESIGN REMAINS WITH THE DESIGN ENGINEER. THE CITY OF ROCKWALL, IN REVIEWING AND RELEASING PLANS FOR CONSTRUCTION, ASSUMES NO RESPONSIBILITY FOR ADEQUACY OR ACCURACY OF DESIGN.

CITY \_\_\_\_\_ DATE \_\_\_\_\_

**BENCHMARK:**  
"X" CUT IN CURB 23± SOUTH OF EAST DRIVE APPROACH OF EXISTING RAYBURN COUNTRY ELECTRIC BUILDING.

**ENGINEERINGCONCEPTS**  
& DESIGN, L.P.

ENGINEERING / PROJECT MANAGEMENT / CONSTRUCTION SERVICES - FIRM REG. #F-001145  
201 WINDCO CIR, STE 200, WYLIE, TX 75098  
972-941-8400 FAX: 972-941-8401 WWW.ECDLP.COM

**REVISIONS:**

DRAWN: JIM	DATE: April 10, 2014
CHECKED: TW	DATE:
PROJECT NO.: 3551	
DWG FILE NAME:	

THIS DOCUMENT IS RELEASED FOR THE PURPOSE OF CONSTRUCTION.



**SEWER DETAILS**  
RCEC OFFICE BUILDING  
LOT 2, BLOCK 1, RAYBURN COUNTRY ADDITION  
CITY OF ROCKWALL, ROCKWALL COUNTY, TEXAS

SHEET  
8  
OF  
8