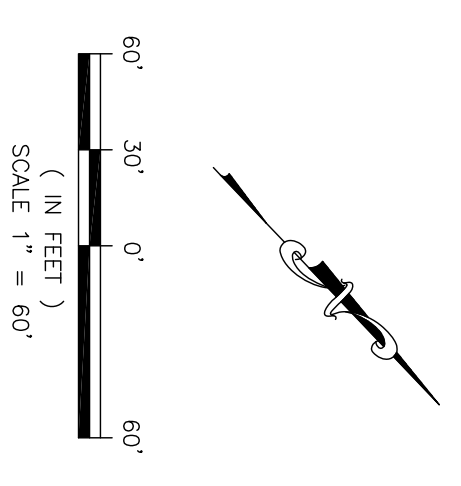


LOCATION MAP
(MAPSCO PAGE 1050, 3000 N.T.S.)



CURVE	DELTA	RADIUS	L	CH	CHD
C1	182.11°	50.00'	17.47'	52.78531'	52.88'
C2	62.2915°	50.00'	3.33'	59.98'	57.05'
C3	34.5334°	120.00'	37.33'	72.38'	71.25'
C4	11.2145°	100.00'	18.43'	20.48'	17.05'
C5	90.0000°	20.00'	20.00'	31.42'	28.28'
C6	90.0000°	20.00'	20.00'	31.42'	28.28'
C7	51.3812°	44.00'	21.29'	39.65'	38.33'
C8	231.207°	44.00'	9.00'	11.82'	11.70'
C9	90.0000°	20.00'	20.00'	31.42'	28.28'
C10	90.0000°	20.00'	20.00'	31.42'	28.28'
C11	90.0000°	44.00'	44.00'	69.12'	68.23'
C12	85.0810°	44.00'	40.41'	65.36'	59.53'
C13	85.0810°	44.00'	40.41'	65.36'	59.53'
C14	90.0000°	20.00'	20.00'	31.42'	28.28'
C15	90.0000°	20.00'	20.00'	31.42'	28.28'
C16	154.121°	50.98'	27.15'	15.14'	15.28'
C17	701.79°	50.98'	14.93'	29.86'	29.86'
C18	701.79°	50.98'	14.93'	29.86'	29.86'
C19	1021.46°	50.98'	50.78'	101.28'	101.14'
C20	1021.46°	50.98'	50.78'	101.28'	101.14'
C21	1021.46°	50.98'	50.78'	101.28'	101.14'
C22	2105.43°	50.00'	19.24'	20.25'	20.14'
C23	182.31°	50.00'	8.98'	11.80'	11.72'
C24	182.31°	50.00'	8.98'	11.80'	11.72'
C25	90.0000°	44.00'	44.00'	69.12'	68.23'
C26	90.0000°	20.00'	20.00'	31.42'	28.28'
C27	555.03°	20.00'	1.03'	2.07'	2.06'
C28	555.03°	20.00'	1.03'	2.07'	2.06'
C29	524.95°	10.20'	0.48'	0.96'	0.96'
C30	62.3632°	19.80'	12.04'	21.64'	20.58'
C31	62.3632°	19.80'	12.04'	21.64'	20.58'
C32	62.3632°	19.80'	12.04'	21.64'	20.58'
C33	88.5952°	19.80'	19.46'	30.76'	27.76'
C34	88.5952°	24.80'	24.64'	38.79'	34.96'
C35	451.50°	44.00'	1.87'	3.74'	3.73'

LINE	LENGTH	BEARING
L1	11.97'	N43°56'31"E
L2	13.98'	N53°18'23"W
L3	32.95'	N43°58'56"E
L4	23.32'	N43°58'56"E
L5	19.00'	N43°58'56"E
L6	41.98'	N43°58'56"E
L7	15.00'	N46°01'24"W
L8	31.90'	N43°58'56"E
L9	29.80'	N46°01'24"E
L10	15.40'	N46°01'24"E
L11	15.40'	N46°01'24"E
L12	15.40'	N46°01'24"E
L13	15.40'	N46°01'24"E
L14	15.40'	N46°01'24"E
L15	15.40'	N46°01'24"E
L16	15.40'	N46°01'24"E
L17	15.40'	N46°01'24"E
L18	15.40'	N46°01'24"E
L19	15.40'	N46°01'24"E
L20	15.40'	N46°01'24"E
L21	15.40'	N46°01'24"E
L22	15.40'	N46°01'24"E
L23	15.40'	N46°01'24"E
L24	15.40'	N46°01'24"E
L25	15.40'	N46°01'24"E
L26	15.40'	N46°01'24"E
L27	15.40'	N46°01'24"E
L28	15.40'	N46°01'24"E
L29	15.40'	N46°01'24"E
L30	15.40'	N46°01'24"E

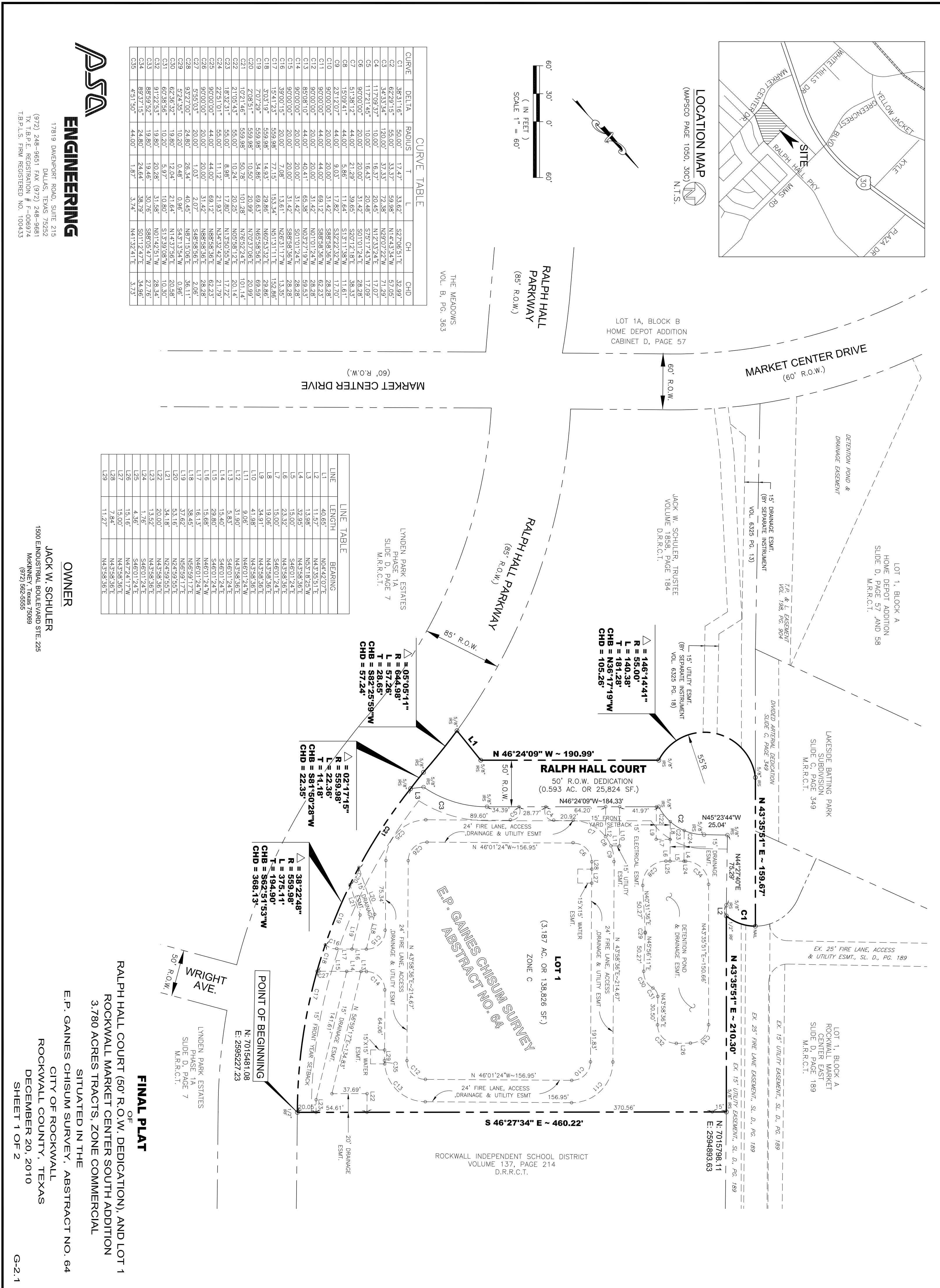
LINE	LENGTH	BEARING
L31	11.97'	N43°56'31"E
L32	13.98'	N53°18'23"W
L33	32.95'	N43°58'56"E
L34	23.32'	N43°58'56"E
L35	19.00'	N43°58'56"E
L36	41.98'	N43°58'56"E
L37	15.00'	N46°01'24"W
L38	31.90'	N43°58'56"E
L39	29.80'	N46°01'24"E
L40	15.40'	N46°01'24"E
L41	15.40'	N46°01'24"E
L42	15.40'	N46°01'24"E
L43	15.40'	N46°01'24"E
L44	15.40'	N46°01'24"E
L45	15.40'	N46°01'24"E
L46	15.40'	N46°01'24"E
L47	15.40'	N46°01'24"E
L48	15.40'	N46°01'24"E
L49	15.40'	N46°01'24"E
L50	15.40'	N46°01'24"E

LINE	LENGTH	BEARING
L51	11.97'	N43°56'31"E
L52	13.98'	N53°18'23"W
L53	32.95'	N43°58'56"E
L54	23.32'	N43°58'56"E
L55	19.00'	N43°58'56"E
L56	41.98'	N43°58'56"E
L57	15.00'	N46°01'24"W
L58	31.90'	N43°58'56"E
L59	29.80'	N46°01'24"E
L60	15.40'	N46°01'24"E
L61	15.40'	N46°01'24"E
L62	15.40'	N46°01'24"E
L63	15.40'	N46°01'24"E
L64	15.40'	N46°01'24"E
L65	15.40'	N46°01'24"E
L66	15.40'	N46°01'24"E
L67	15.40'	N46°01'24"E
L68	15.40'	N46°01'24"E
L69	15.40'	N46°01'24"E
L70	15.40'	N46°01'24"E

LINE	LENGTH	BEARING
L71	11.97'	N43°56'31"E
L72	13.98'	N53°18'23"W
L73	32.95'	N43°58'56"E
L74	23.32'	N43°58'56"E
L75	19.00'	N43°58'56"E
L76	41.98'	N43°58'56"E
L77	15.00'	N46°01'24"W
L78	31.90'	N43°58'56"E
L79	29.80'	N46°01'24"E
L80	15.40'	N46°01'24"E
L81	15.40'	N46°01'24"E
L82	15.40'	N46°01'24"E
L83	15.40'	N46°01'24"E
L84	15.40'	N46°01'24"E
L85	15.40'	N46°01'24"E
L86	15.40'	N46°01'24"E
L87	15.40'	N46°01'24"E
L88	15.40'	N46°01'24"E
L89	15.40'	N46°01'24"E
L90	15.40'	N46°01'24"E

LINE	LENGTH	BEARING
L91	11.97'	N43°56'31"E
L92	13.98'	N53°18'23"W
L93	32.95'	N43°58'56"E
L94	23.32'	N43°58'56"E
L95	19.00'	N43°58'56"E
L96	41.98'	N43°58'56"E
L97	15.00'	N46°01'24"W
L98	31.90'	N43°58'56"E
L99	29.80'	N46°01'24"E
L100	15.40'	N46°01'24"E
L101	15.40'	N46°01'24"E
L102	15.40'	N46°01'24"E
L103	15.40'	N46°01'24"E
L104	15.40'	N46°01'24"E
L105	15.40'	N46°01'24"E
L106	15.40'	N46°01'24"E
L107	15.40'	N46°01'24"E
L108	15.40'	N46°01'24"E
L109	15.40'	N46°01'24"E
L110	15.40'	N46°01'24"E

LINE	LENGTH	BEARING
L111	11.97'	N43°56'31"E
L112	13.98'	N53°18'23"W
L113	32.95'	N43°58'56"E
L114	23.32'	N43°58'56"E
L115	19.00'	N43°58'56"E
L116	41.98'	N43°58'56"E
L117	15.00'	N46°01'24"W
L118	31.90'	N43°58'56"E
L119	29.80'	N46°01'24"E
L120	15.40'	N46°01'24"E
L121	15.40'	N46°01'24"E
L122	15.40'	N46°01'24"E
L123	15.40'	N46°01'24"E
L124	15.40'	N46°01'24"E
L125	15.40'	N46°01'24"E
L126	15.40'	N46°01'24"E
L127	15.40'	N46°01'24"E
L128	15.40'	N46°01'24"E
L129	15.40'	N46°01'24"E
L130	15.40'	N46°01'24"E



PSA ENGINEERING
17819 DAVENPORT ROAD, SUITE 215
DALLAS, TEXAS 75232
(972) 248-9651 FAX (972) 248-9681
TX T.E.P.L. REGISTRATION # F-0069174
18115 S. FM, ROSSBORO, MO, 65703

OWNER
JACK W. SCHULLER
1500 INDUSTRIAL BOULEVARD STE. 225
MCKINNEY, TEXAS 75069
(972) 565-5555

FINAL PLAT
OF
RALPH HALL COURT (60' R.O.W. DEDICATION), AND LOT 1
ROCKWALL MARKET CENTER SOUTH ADDITION
3.780 ACRES TRACTS, ZONE COMMERCIAL
SITUATED IN THE
CITY OF ROCKWALL
E.P. GAINES CHISUM SURVEY, ABSTRACT NO. 64
ROCKWALL COUNTY, TEXAS
DECEMBER 20, 2010
SHEET 1 OF 2