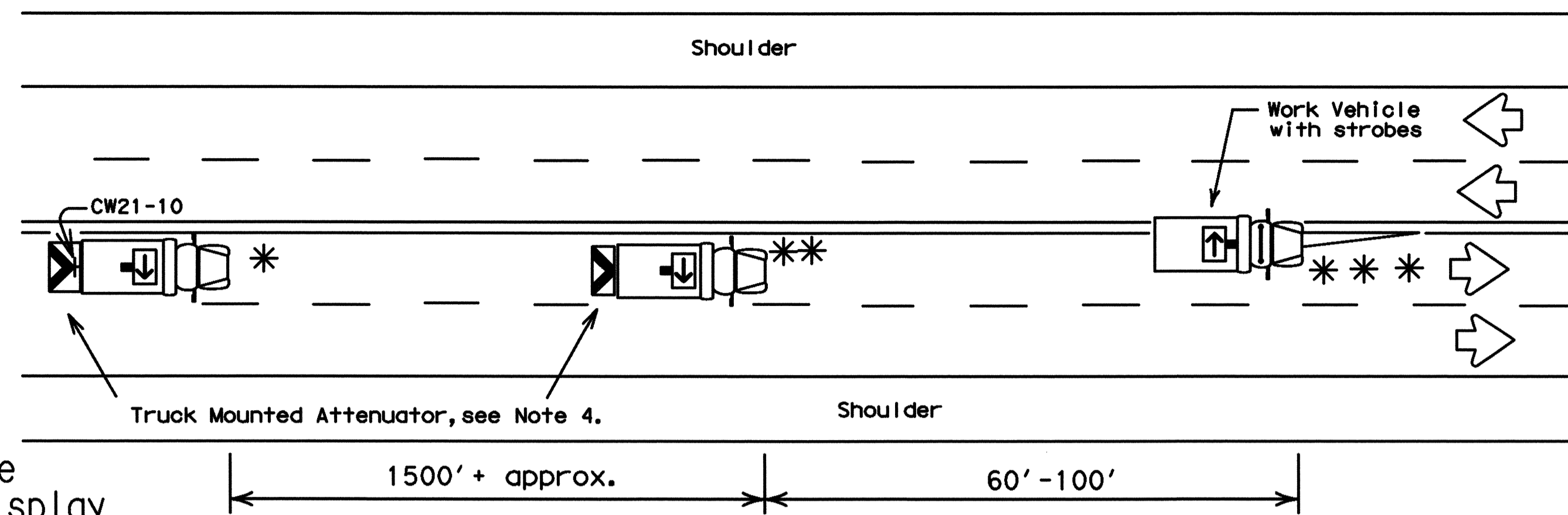
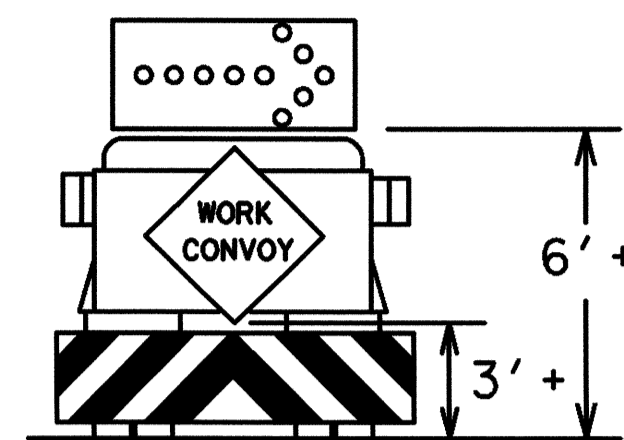
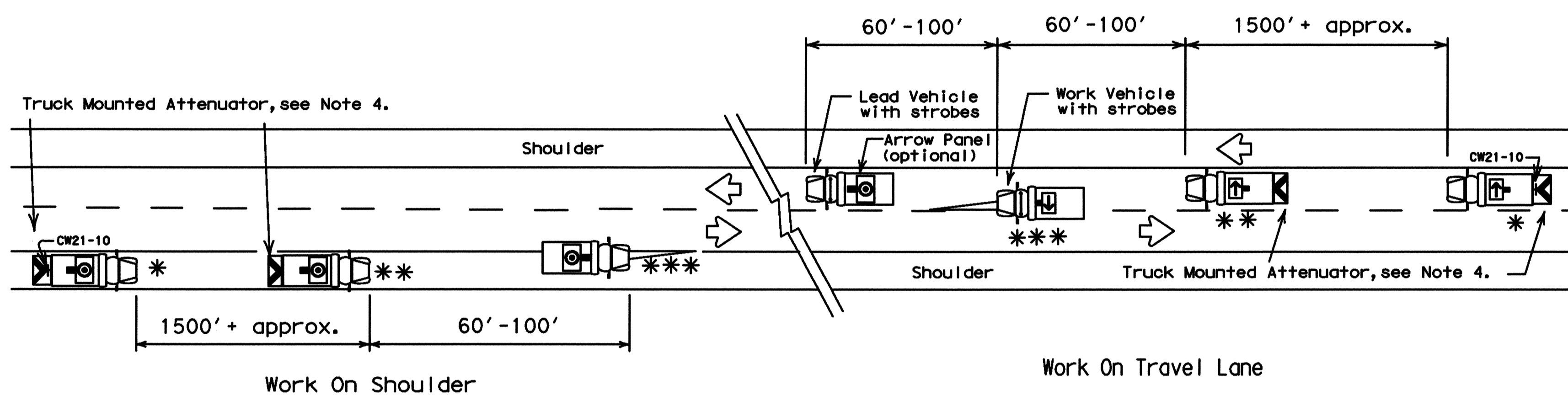


DISCLAIMER: The use of this standard is governed by the "Texas Engineering Practice Act". No warranty of any kind is made by TxDOT for any purpose whatsoever. TxDOT assumes no responsibility for the conversion of this standard to other formats or for incorrect results or damages resulting from its use.

Typical Trail Vehicle with RIGHT Directional display Flashing Arrow Panel

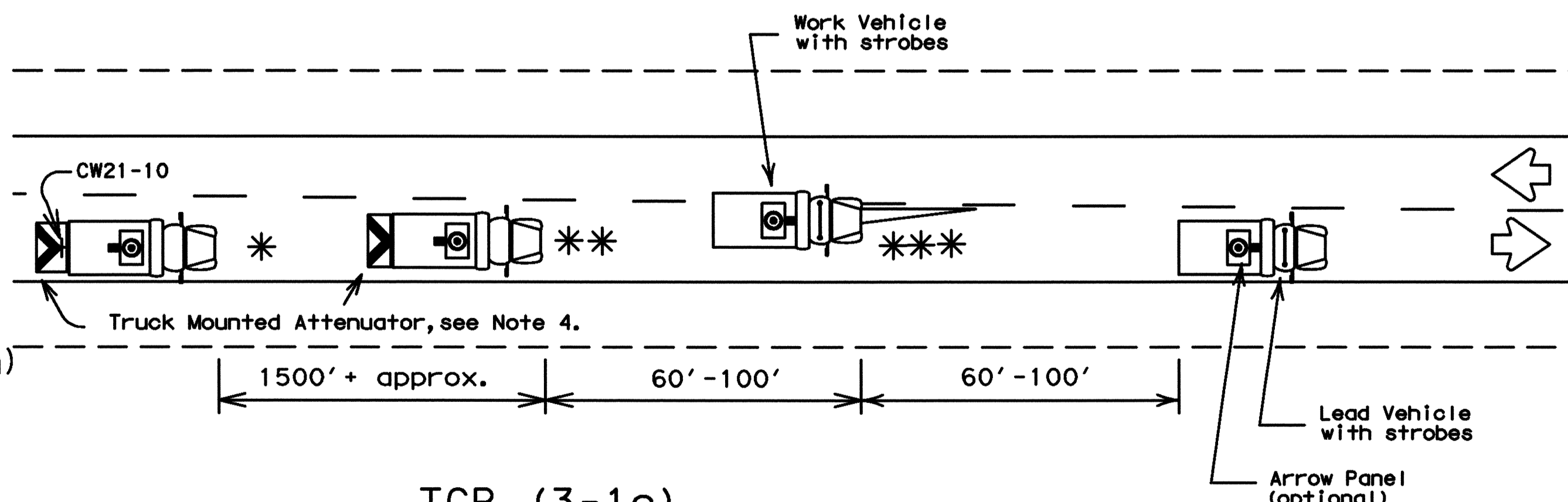
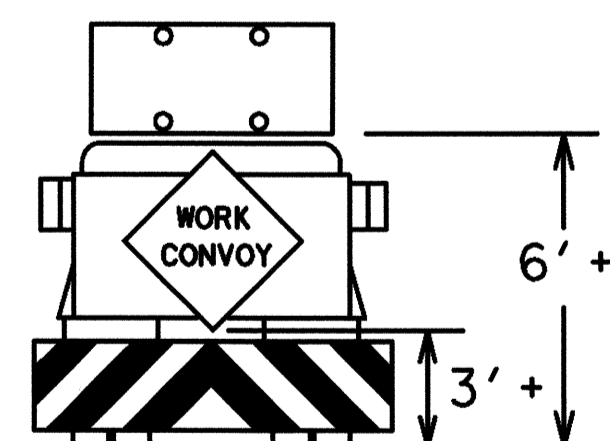


TCP (3-1a)  
Undivided Multilane Roadway

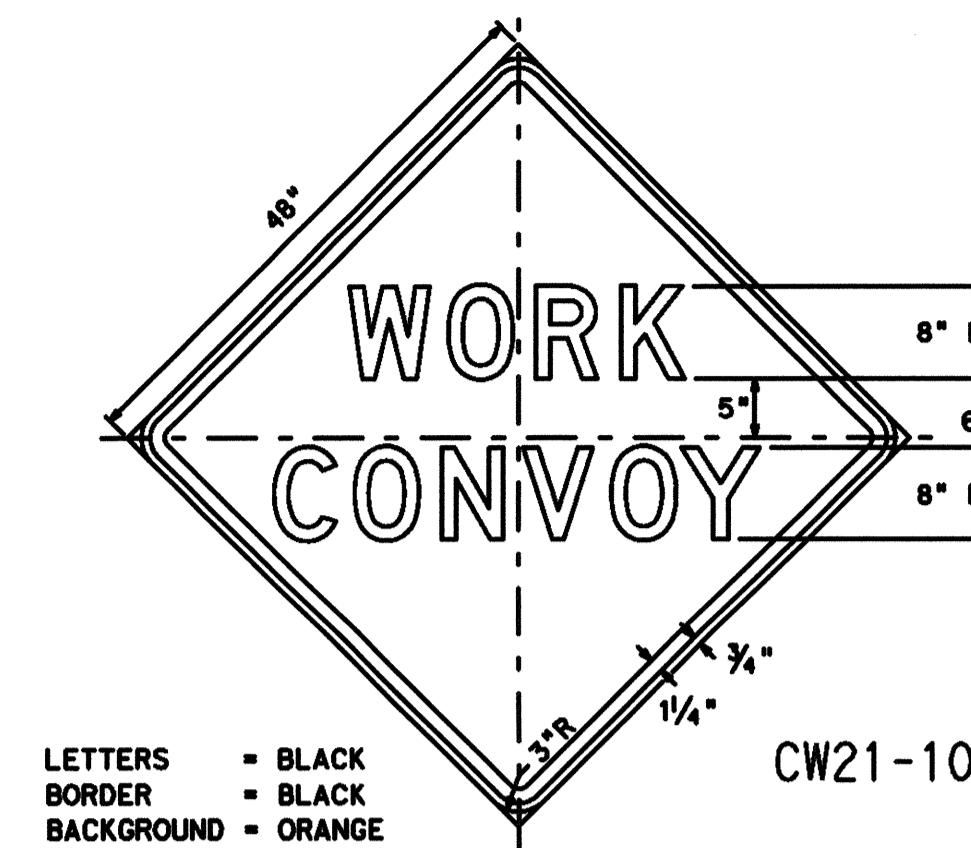


TCP (3-1b)  
Two-Way Roadway With Paved Shoulders

Typical Trail Vehicle with (four corner flash) CAUTION display Flashing Arrow Panel



TCP (3-1c)  
Two-Way Roadway Without Paved Shoulders



LETTERS = BLACK  
BORDER = BLACK  
BACKGROUND = ORANGE

**Legend:**

- \* TRAIL VEHICLE
- \* \* SHADOW VEHICLE
- \* \* \* WORK VEHICLE
- ☐ Truck mounted attenuator
- ☐ HEAVY WORK VEHICLE

**Arrow Panel Displays**

- ☐ RIGHT Directional
- ☐ LEFT Directional
- ☐ RIGHT or LEFT Directional
- ☐ CAUTION mode

**GENERAL NOTES:**

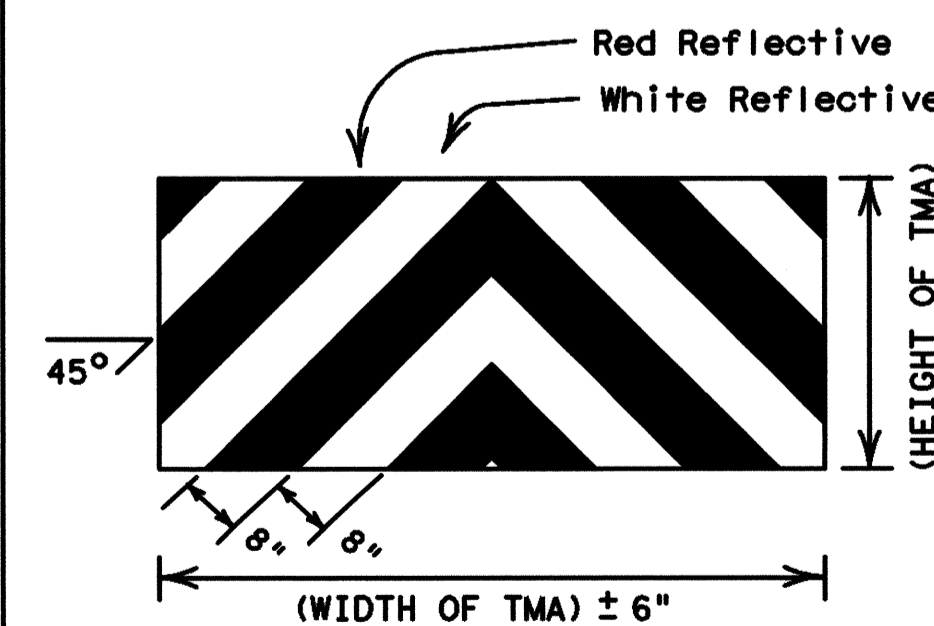
1. TRAIL, SHADOW, LEAD, and work vehicles shall be equipped with arrow panels as illustrated. The Engineer will determine if the LEAD VEHICLE and/or TRAIL VEHICLE are required based on prevailing roadway conditions, traffic volume, and sight distance restrictions.
2. All traffic control devices shall be in accordance with the "Texas Manual on Uniform Traffic Control Devices" (TMUTCD), latest edition.
3. The use of yellow rotating beacons or strobe lights on vehicles are required unless otherwise stated elsewhere in the plans.
4. The use of truck mounted attenuators (TMA) on the SHADOW VEHICLE and the TRAIL VEHICLE are required.
5. Optional striping on the back panel of all truck mounted attenuators shall be 8" red and white reflective sheeting placed in an inverted "V" design. Reflective sheeting shall meet or exceed the reflectivity and color requirements of DEPARTMENTAL MATERIAL SPECIFICATION D-9-8300, TYPE C.
6. Flashing Arrow Panels shall be Type B or Type C as per BC Standards. The panel operation shall be controlled from inside the vehicle.
7. Each vehicle shall have two-way radio communication capability.
8. When work convoys must change lanes, the TRAIL VEHICLE should change lanes first to shadow the other convoy vehicles.
9. Vehicle spacing between TRAIL VEHICLE and SHADOW VEHICLE will vary depending on sight distance restrictions. Motorists approaching the work convoy should be able to see the TRAIL VEHICLE in time to slow down and/or change lanes as they approach the TRAIL VEHICLE.

Only pre-qualified products shall be used. A list of compliant products and their sources may be obtained by writing or faxing:

Standards Engineer  
Traffic Operations Division - TE  
Texas Department of Transportation  
125 East 11th Street  
Austin, Texas 78701-2483  
Phone (512) 416-3335  
Fax (512) 416-3161  
E-mail TRF-STANDARD@mailgw.dot.state.tx.us



Shadow and trail vehicle shall be equipped with Truck Mounted Attenuator.



OPTIONAL STRIPING FOR TMA

STRIPING FOR TMA WILL BE REQUIRED ON ALL PROJECTS AWARDED AFTER JANUARY 1, 2000

AS-BUILT

Texas Department of Transportation  
Traffic Operations Division

**TRAFFIC CONTROL PLAN  
MOBILE OPERATIONS  
UNDIVIDED HIGHWAYS**

TCP (3-1) - 98

© TxDOT December 1985	DN: TxDOT	CK: TxDOT	DW: TxDOT	CK: TxDOT
2-94	CONT	SECT	JOB	HIGHWAY
8-95	DIST		COUNTY	SHEET NO.
1-97				
4-98				

DATE:  
FILE: