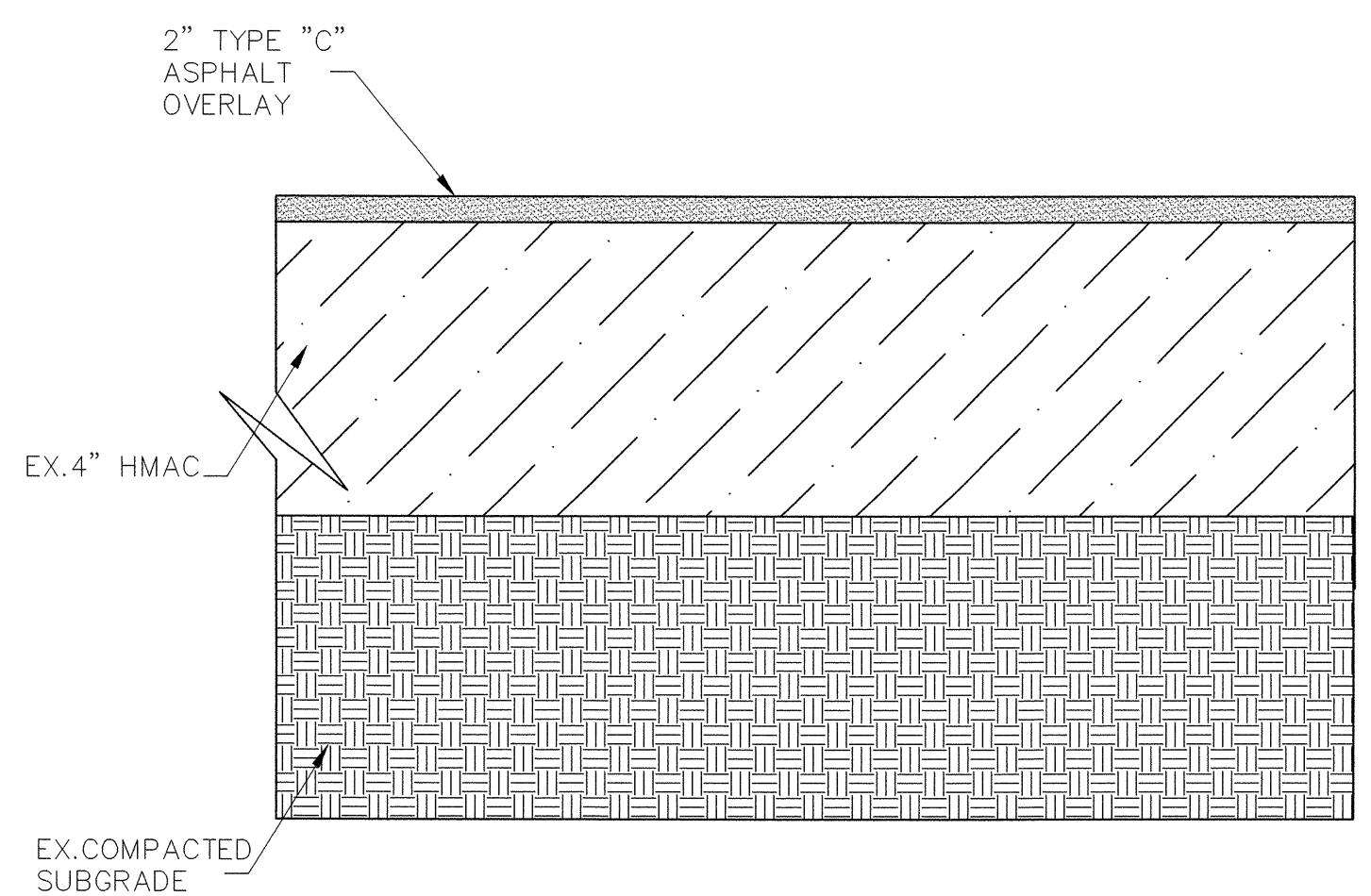
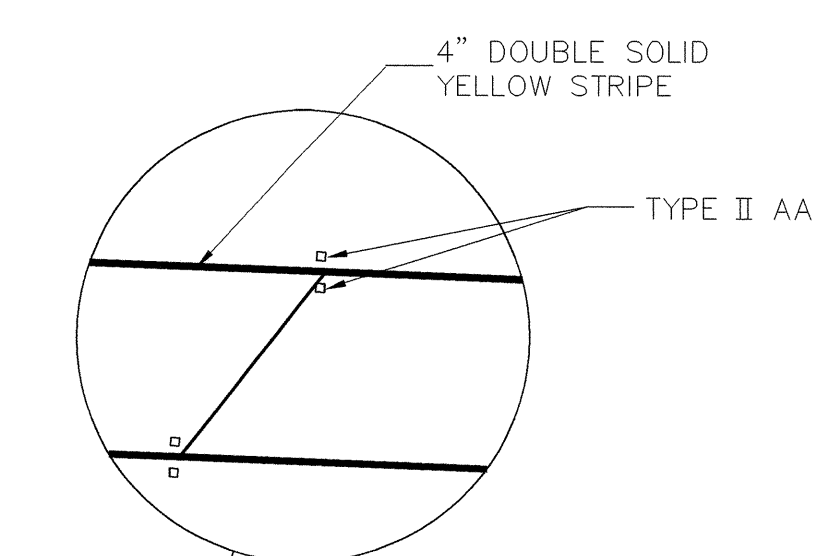
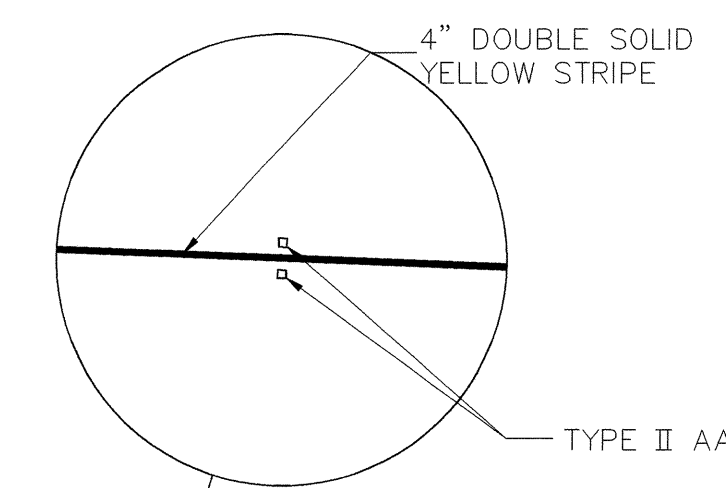
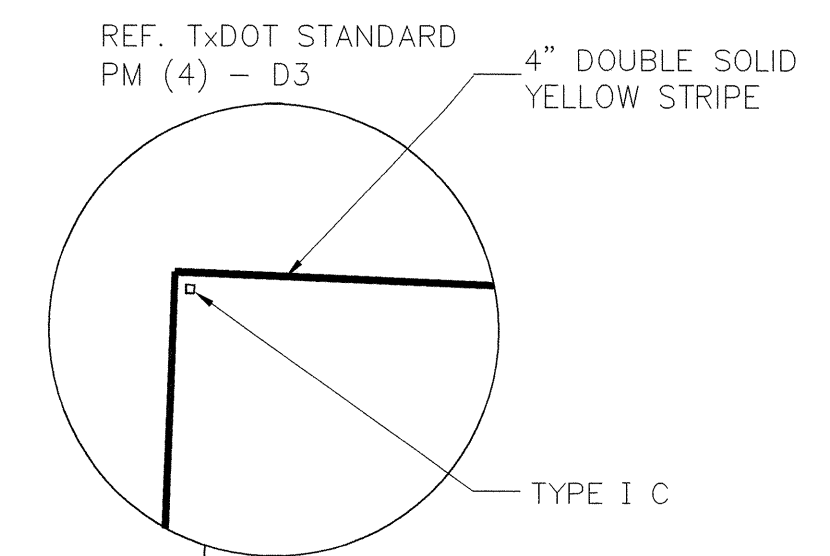
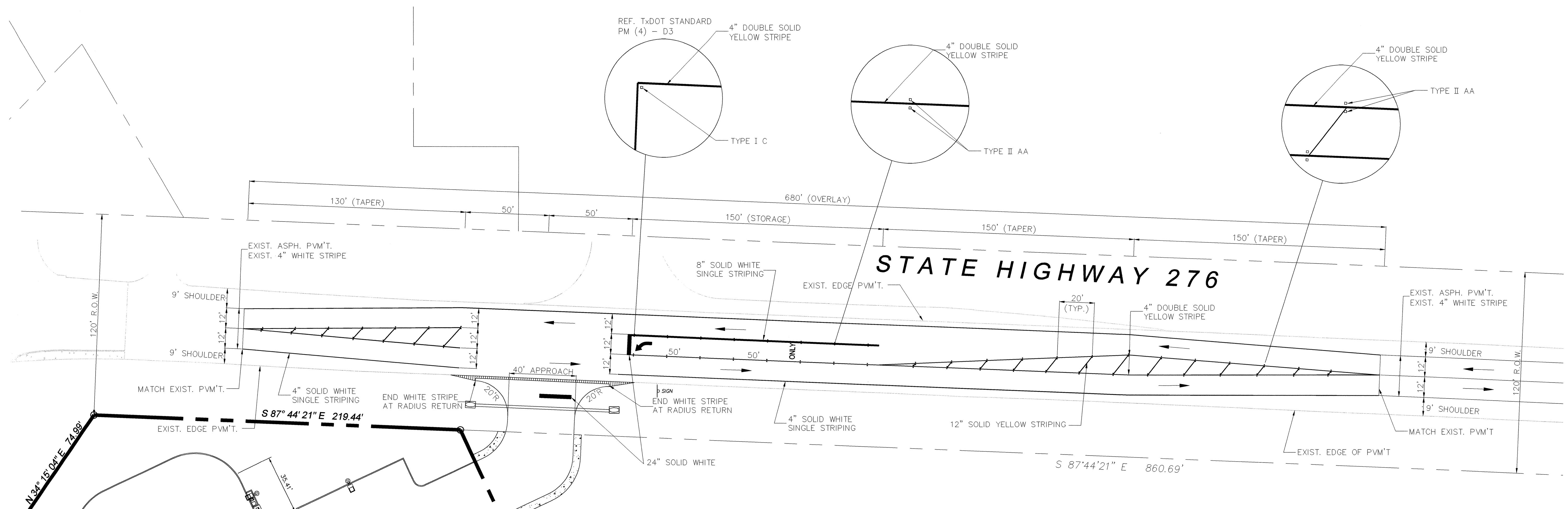


**NOTE:**

- 2" H.M.A.C. OVERLAY ON ENTIRE SECTION OF PAVING THAT WILL BE RE-STRIPED. REFERENCE SHEET 8 FOR THE LOCATION OF REQUIRED OVERLAY AREA.

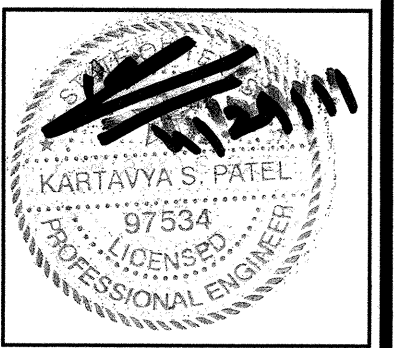


ALL RESPONSIBILITY FOR ADEQUACY OF DESIGN REMAINS WITH THE DESIGN ENGINEER. THE CITY OF ROCKWALL, IN REVIEWING AND RELEASING PLANS FOR CONSTRUCTION, ASSUMES NO RESPONSIBILITY FOR ADEQUACY OR ACCURACY OF DESIGN.

**AS-BUILT**

**THE DIMENSION GROUP**  
 FIRM REGISTRATION # F-8396  
 CIVIL ENGINEERING • LAND DEVELOPMENT • PLANNING • ARCHITECTURE • CONSTRUCTION MANAGEMENT  
 10755 SANDHILL ROAD, DALLAS, TEXAS 75238 TEL: 214-343-9400 FAX: 214-341-9000

NO.	REVISIONS	BY	DATE
1	AS-BUILT	KP	4/18/11



**Racetrac**  
 THESE PLANS ARE SUBJECT TO FEDERAL COPYRIGHT LAWS. ANY USE OF SAME WITHOUT THE EXPRESSED WRITTEN PERMISSION OF RACETRAC PETROLEUM, INC. IS PROHIBITED.  
 © 2000 RACETRAC PETROLEUM, INC.

**Racetrac**  
 RACETRAC PETROLEUM, INC.  
 300 TECHNOLOGY COURT  
 SMYRNA, GEORGIA 30082  
 (770) 431-7600

LEFT TURN LANE	RACETRAC SERVICE STATION	S.H. 205 & S.H. 276	DATE	5/18/10
		ROCKWALL, TEXAS	DWG. NO.	16
			SCALE	1"=30'
			DRAWN BY	CS

<b>16</b>	-
SHEET NO.	REV.