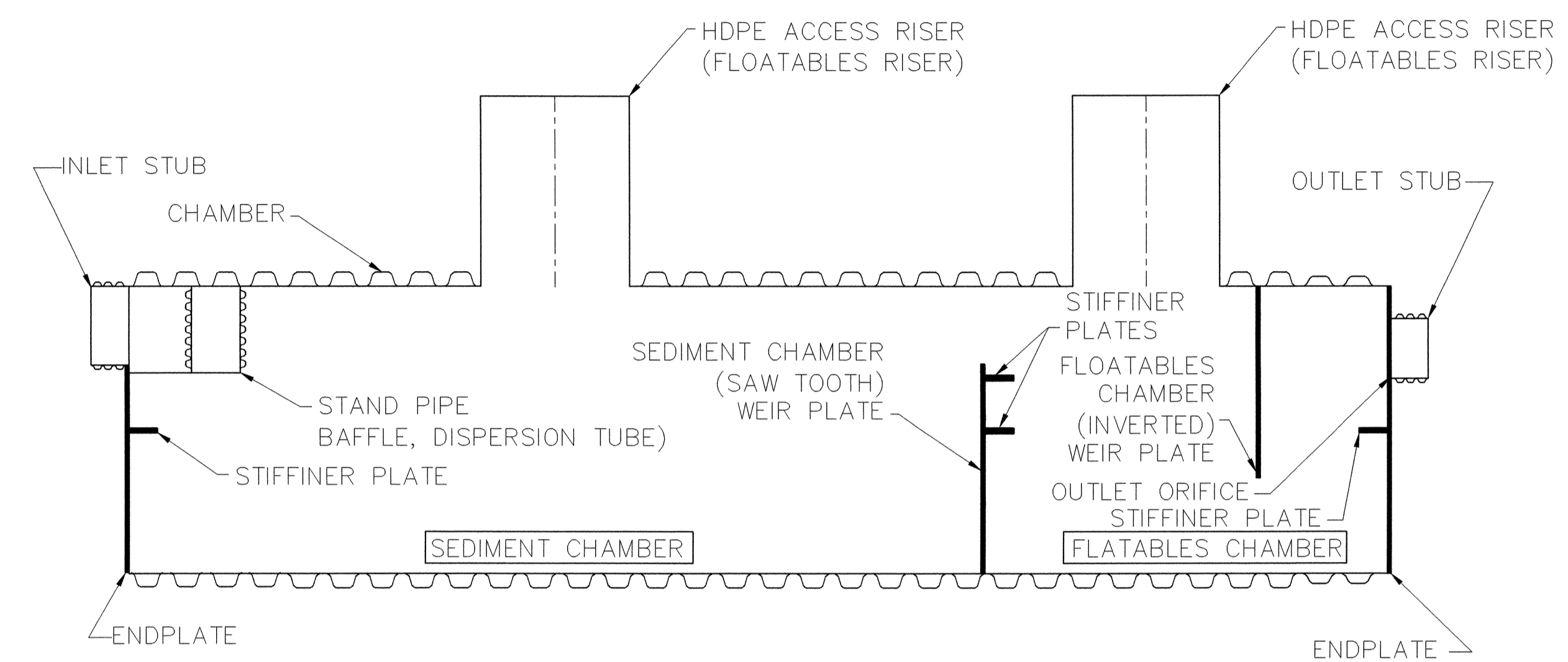
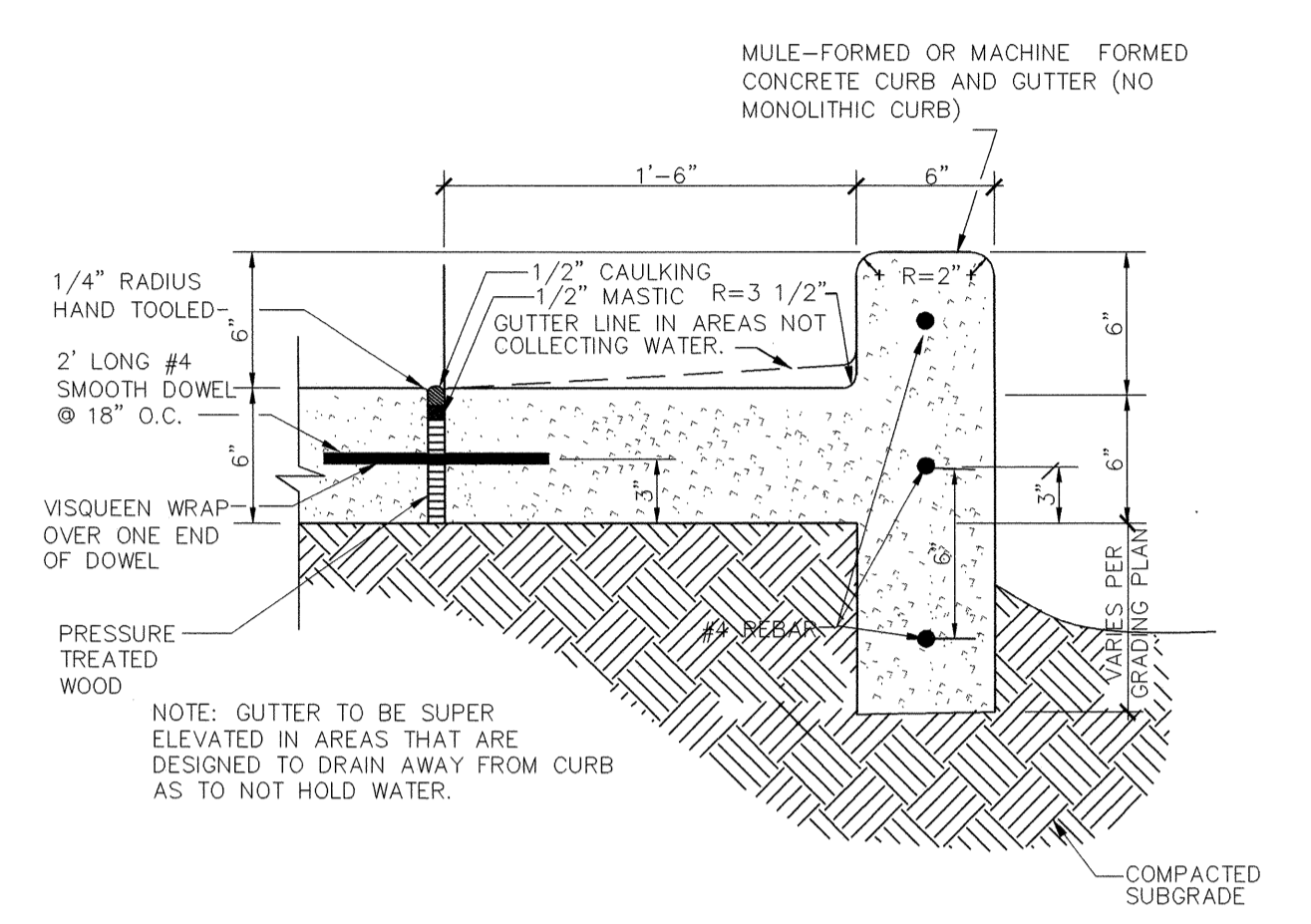


1 TRENCH DRAIN (PRIVATE)
14 N.T.S.

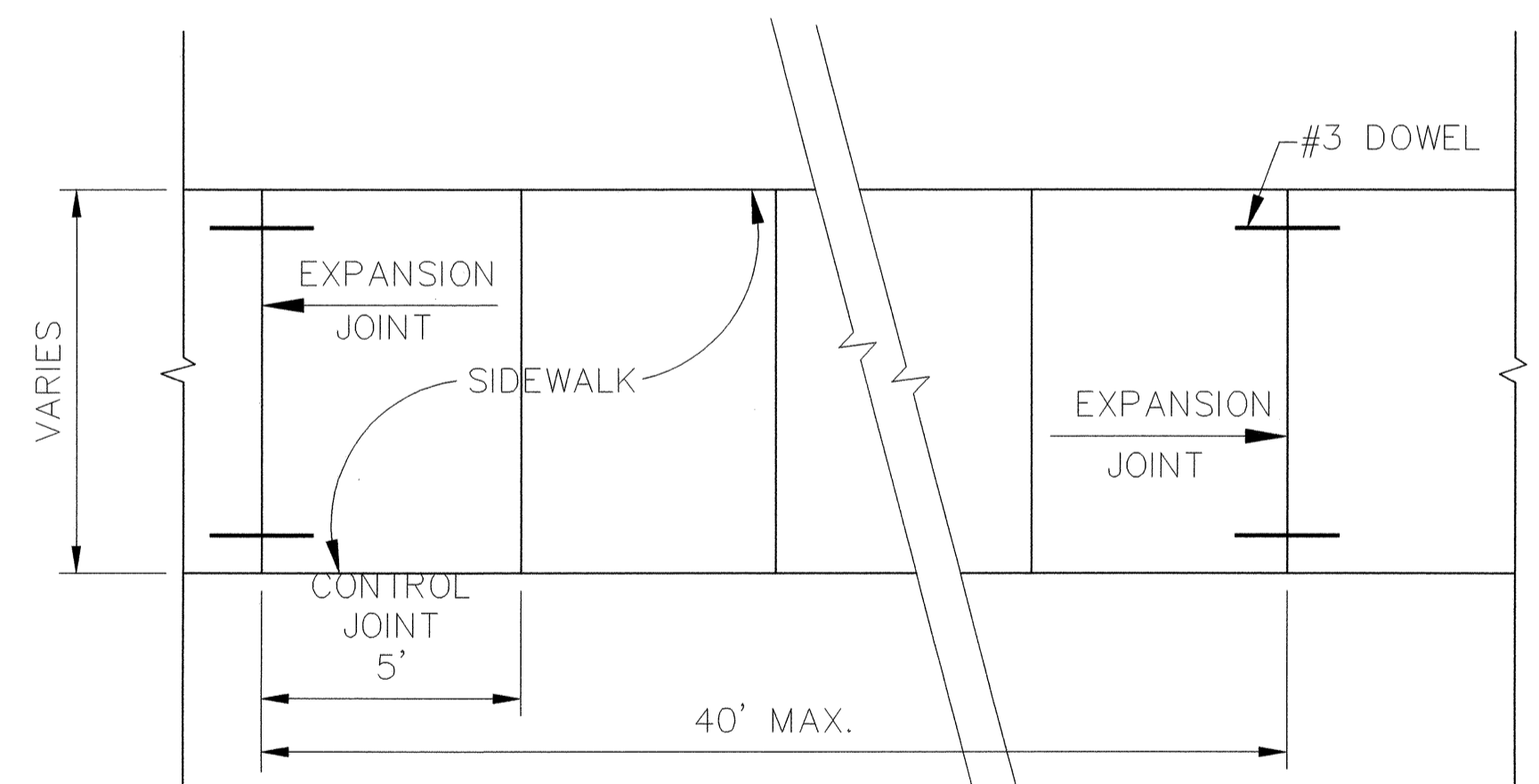
I.D. (in.)	Inlet Size (in)	Outlet Size (in)	Length (ft)	Treated Flow (cfs)	Sediment Volume (ft ³)	Floatables Volume (ft ³)	Sieve Size
60	15	15	20	2.95	183	87	140



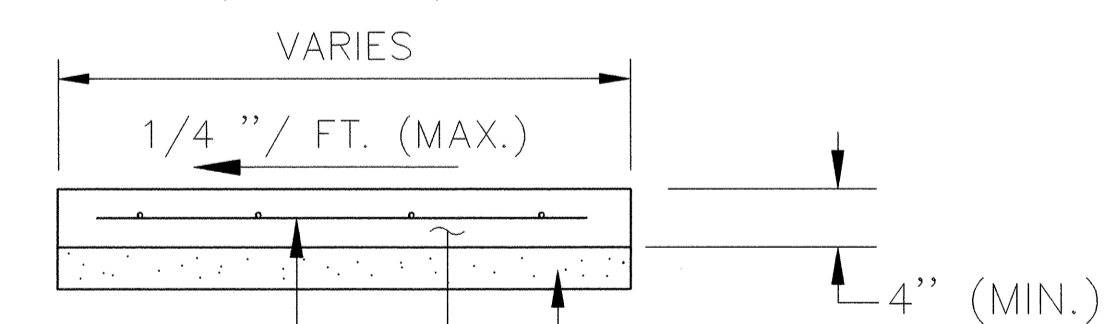
3 ADS, INC. OIL STORM WATER QUALITY UNIT
14 N.T.S. MODEL #6020WQA



5 HEADER CURB DETAIL
14 N.T.S.

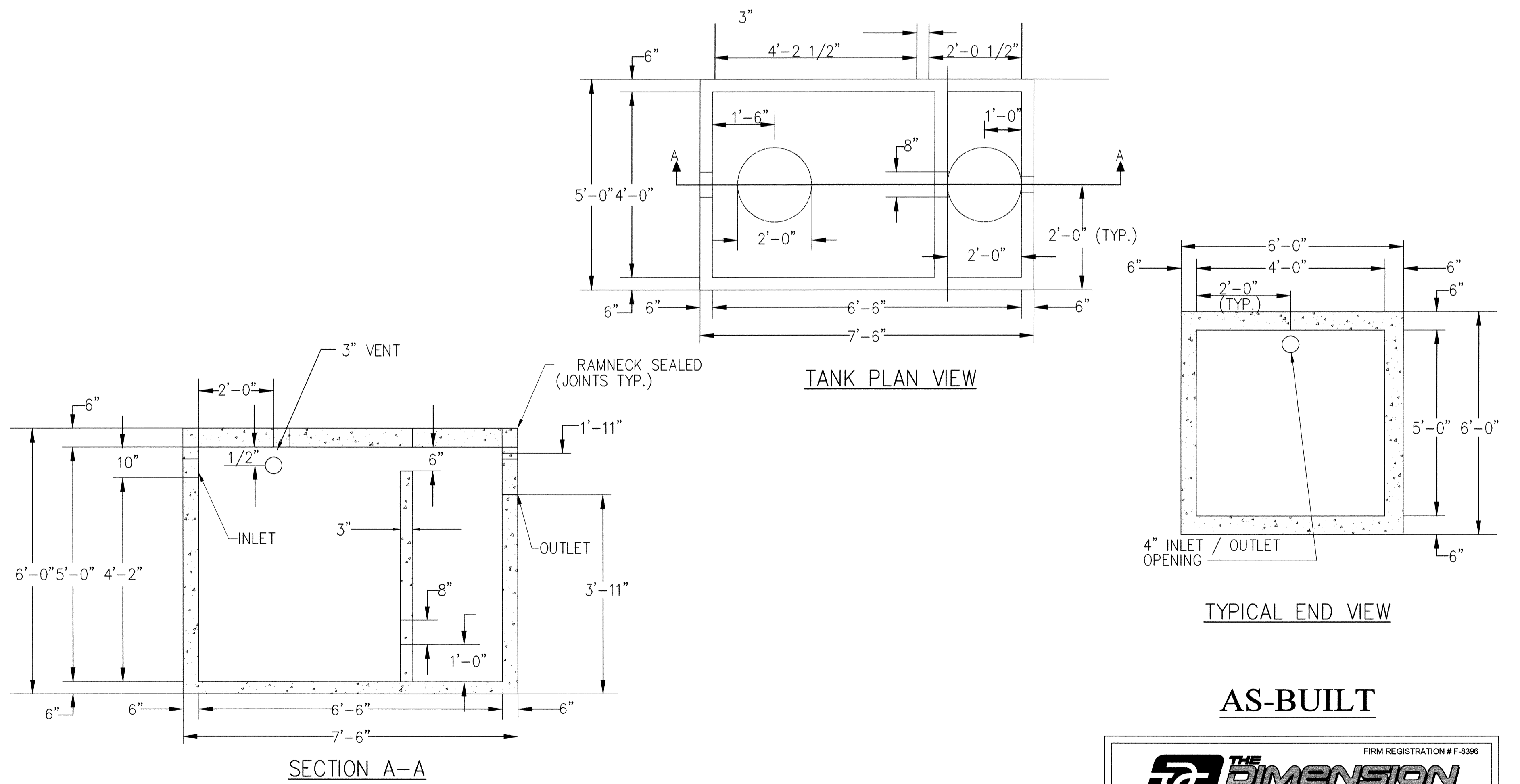


PLAN



SECTION

2 SIDEWALK DETAIL
14 N.T.S.



TANK PLAN VIEW

SECTION A-A

TYPICAL END VIEW

AS-BUILT

4 750 GALLONS GREASE TRAP DETAILS
14 N.T.S.

DATE	4/18/11
BY	KP
REVISIONS	
NO.	1
AS-BUILT	
<p>Racetrac <small>THESE PLANS ARE SUBJECT TO FEDERAL COPYRIGHT LAWS. ANY USE OF SAME WITHOUT THE EXPRESSED WRITTEN PERMISSION OF RACETRAC PETROLEUM, INC. IS PROHIBITED.</small></p>	
<p>Racetrac RACETRAC PETROLEUM, INC. 300 TECHNOLOGY COURT SMYRNA, GEORGIA 30082 (770) 431-7600</p>	
STANDARD DETAILS	
RACETRAC SERVICE STATION	
SITE	S.H. 205 & S.H. 276 ROCKWALL, TEXAS
SCALE	AS SHOWN
DATE	5/18/10
DRAWN BY	CS
DWG NO.	14
<small>FIRM REGISTRATION # F-5396 CIVIL ENGINEERING • LAND DEVELOPMENT • PLANNING • ARCHITECTURE • CONSTRUCTION MANAGEMENT 10755 SANDHILL ROAD, DALLAS, TEXAS 75238 TEL: 214-343-9400 FAX: 214-341-9000</small>	
<p>14</p>	
SHEET NO.	REV.