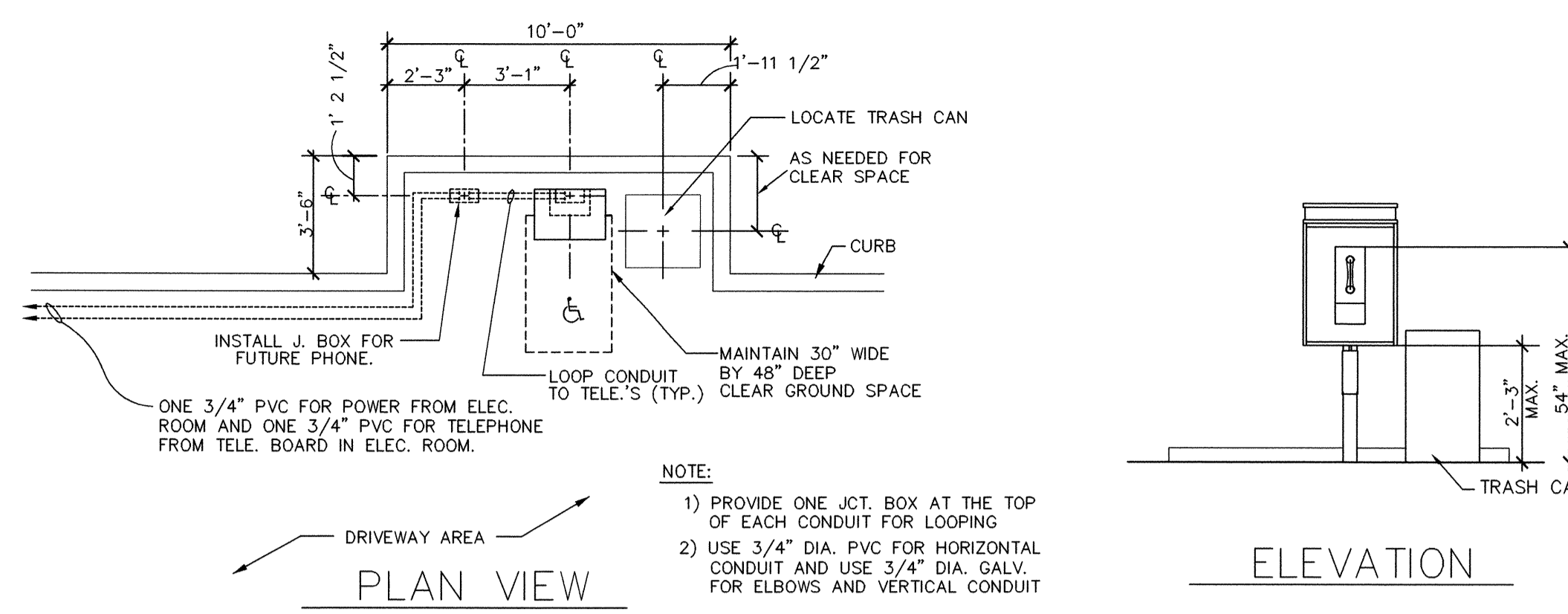
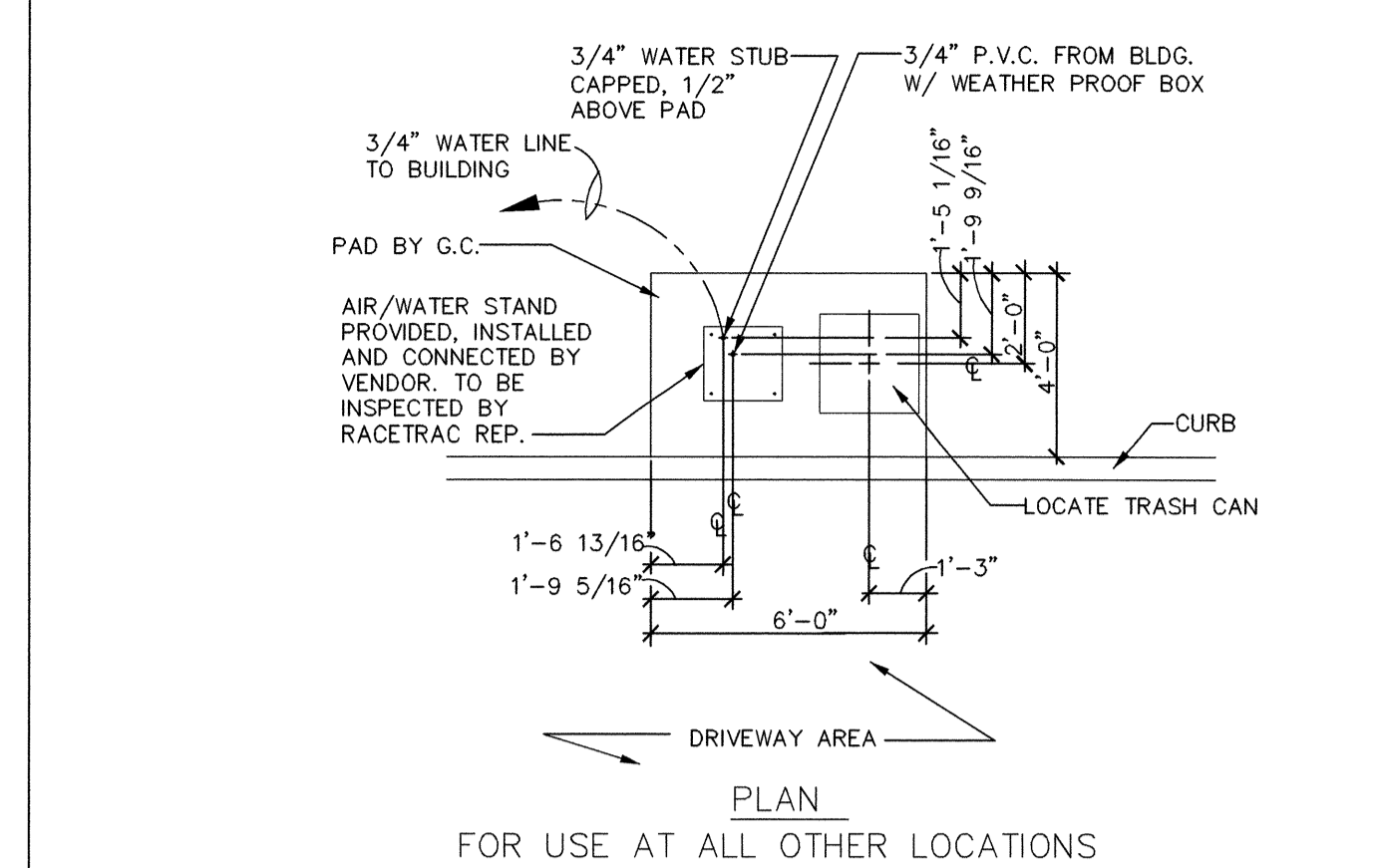


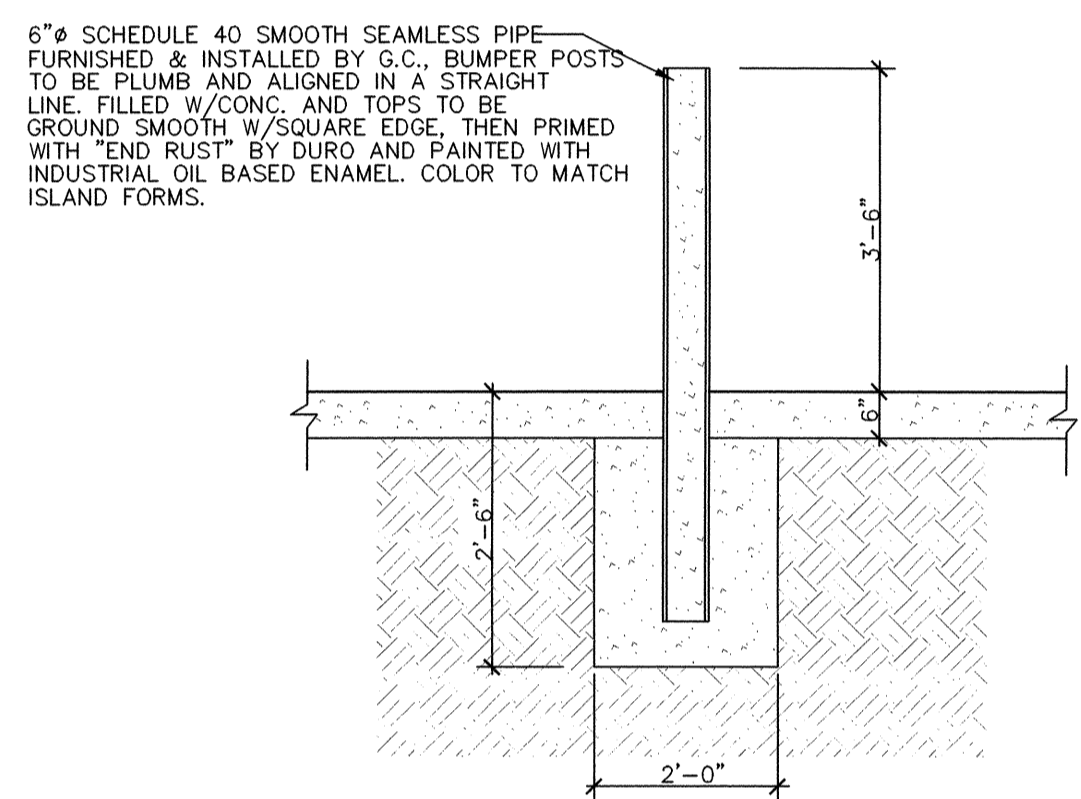
1 TYP. CURB DETAIL AT CONCRETE SLAB N.T.S.  
13



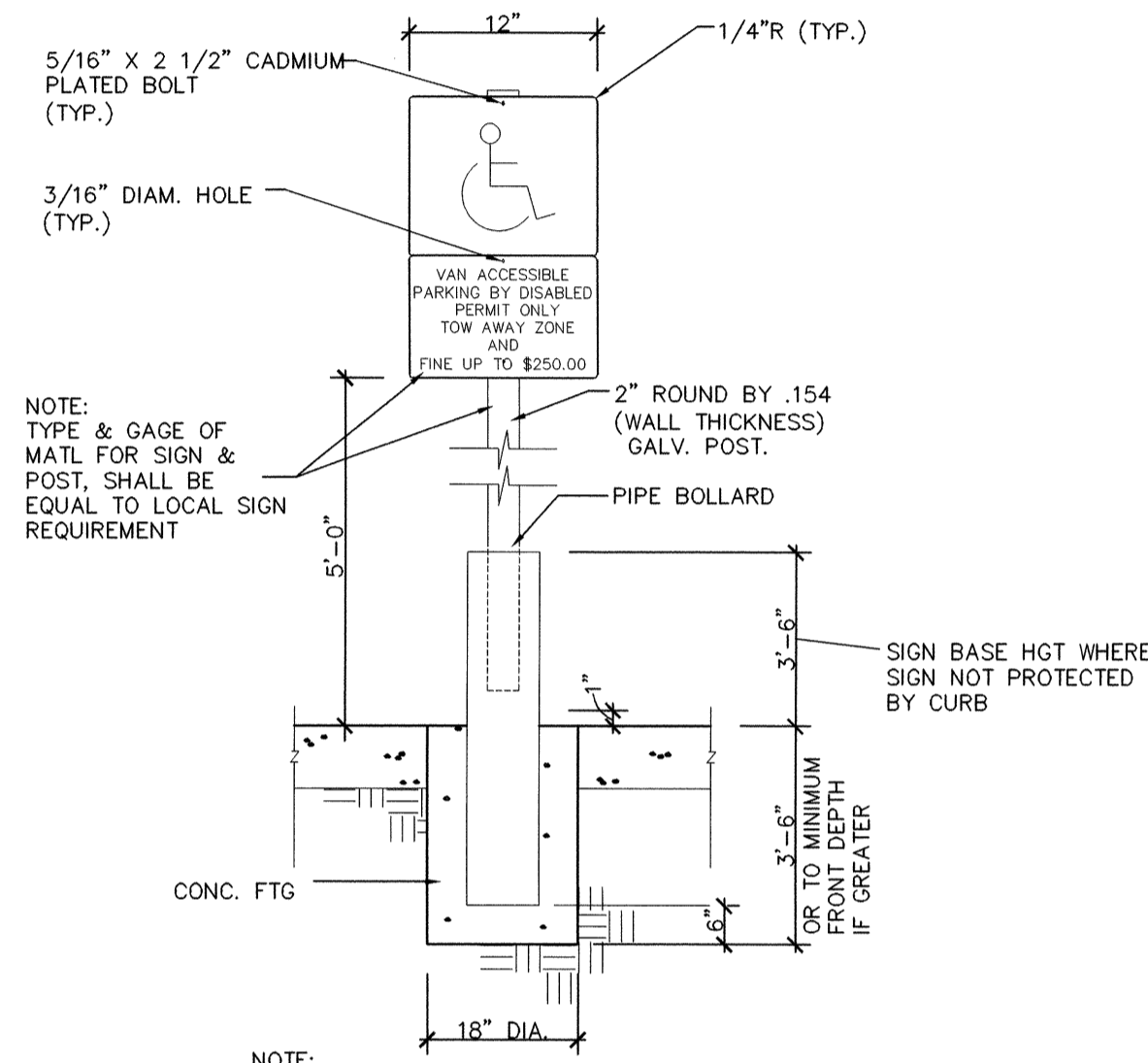
2 PUBLIC TELEPHONE DETAIL N.T.S.  
13 NOTE: TELEPHONE INSTALLATION MUST COMPLY WITH F.A.D.A. 4-31



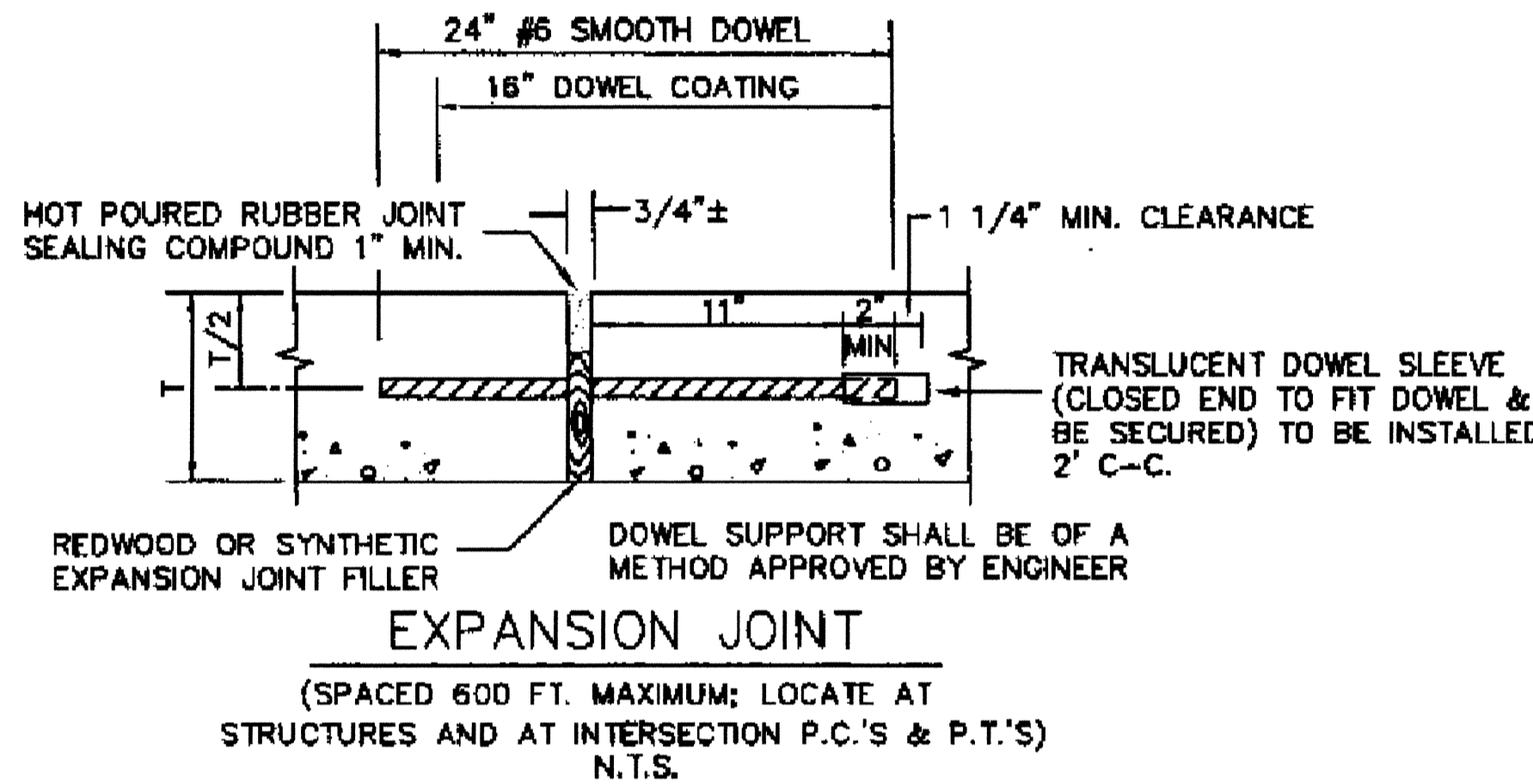
4 AIR / WATER STAND DETAILS N.T.S.  
13



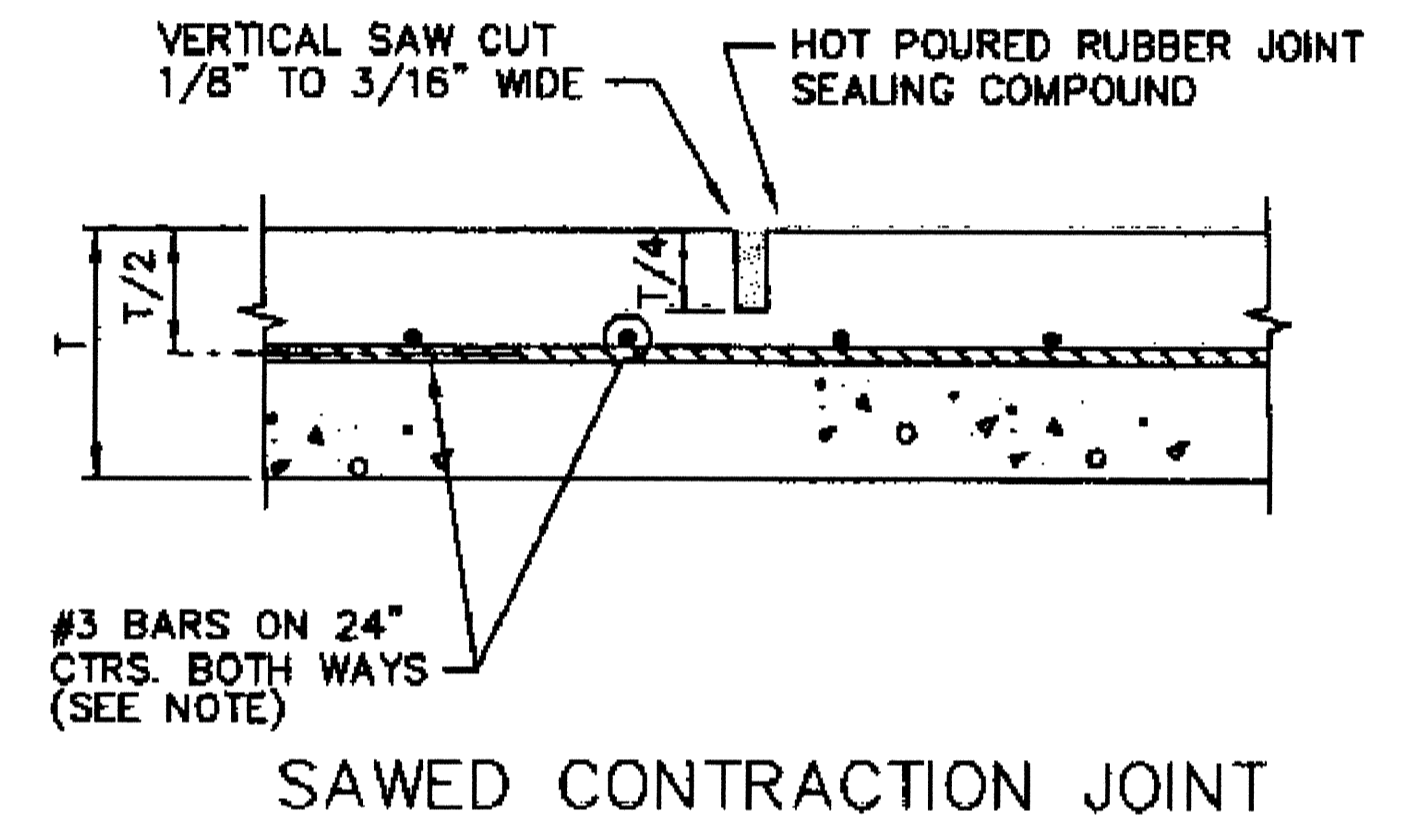
3 TYP. BUMPER POST DETAIL N.T.S.  
13



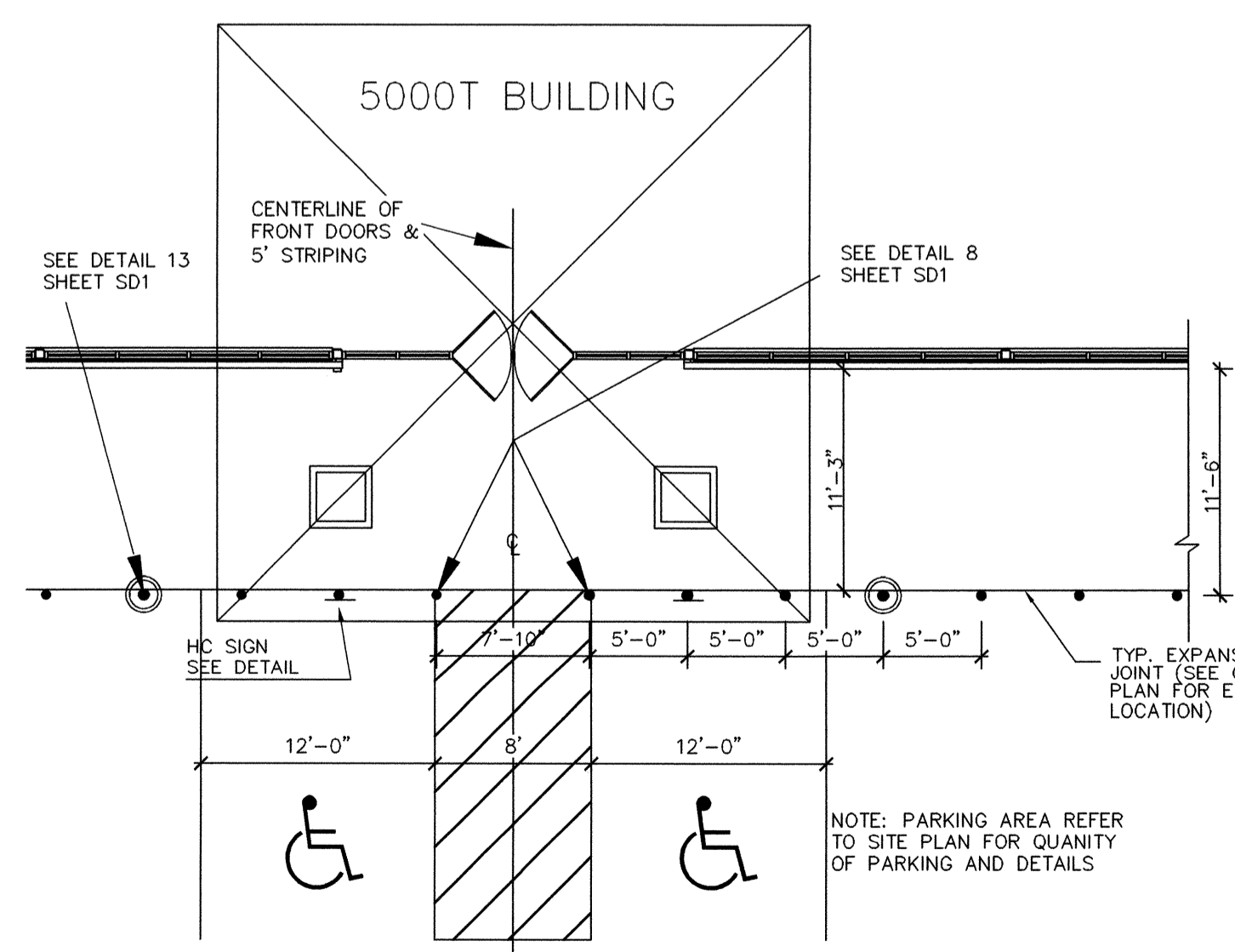
8 TYP. HANDICAP SIGNAGE DETAIL N.T.S.  
13



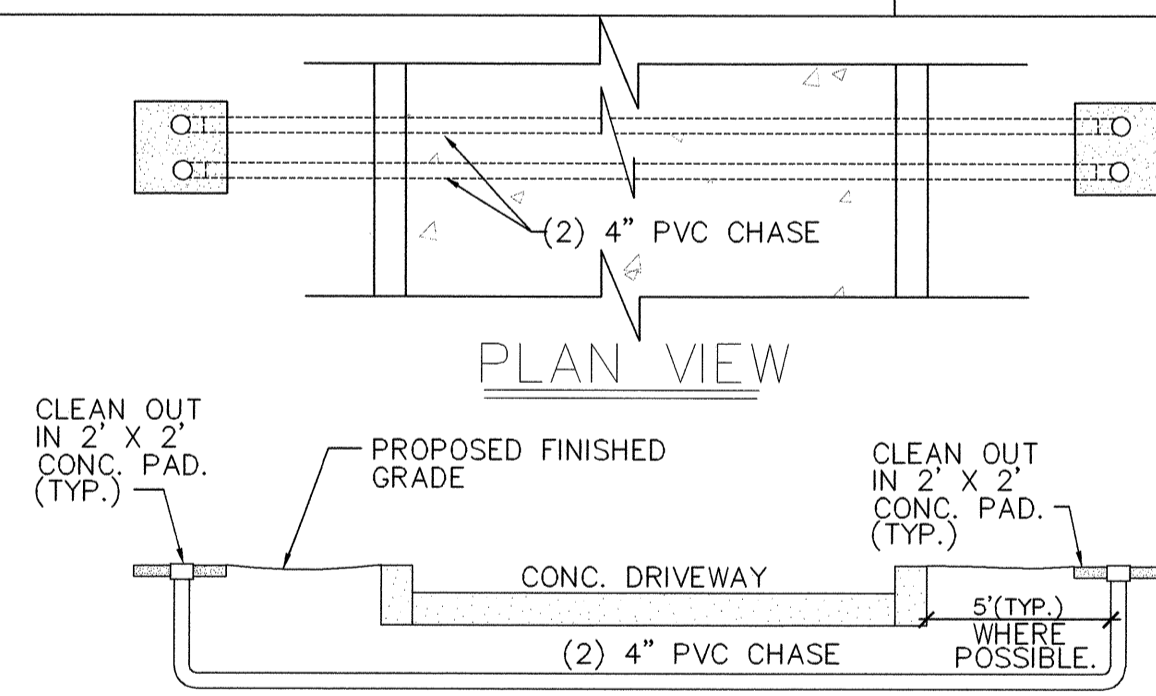
5 NCTCOG TYP. EXPANSION JOINT DETAIL N.T.S.  
13 NOTE: REFER PAVING PLAN FOR LOCATION CONCRETE TO BE 6" THICK IN ALL AREAS EXCEPT OVER TANKS AND IN FRONT OF DUMPSTER ENCLOSURE WHERE IT IS TO BE 8" THICK. SEE GRADING PLAN FOR LOCATIONS.



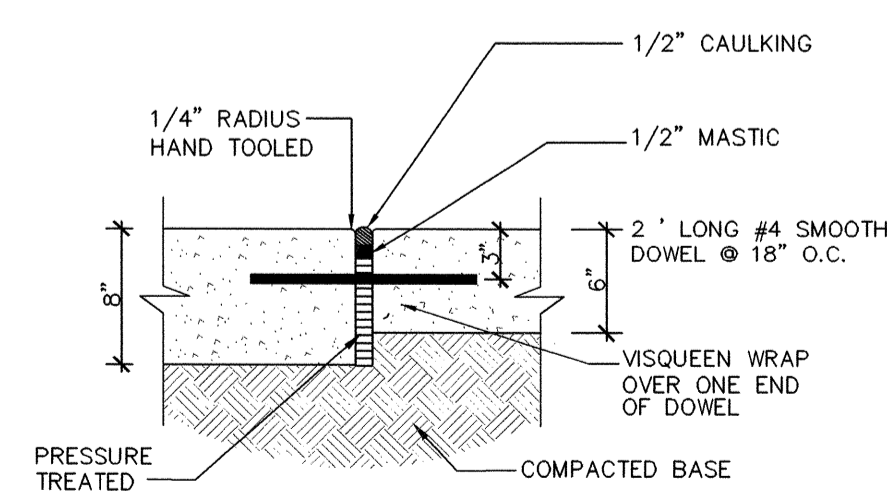
6 NCTCOG TYP. SAW CUT DETAIL N.T.S.  
13 NOTE: REFER PAVING PLAN FOR LOCATION



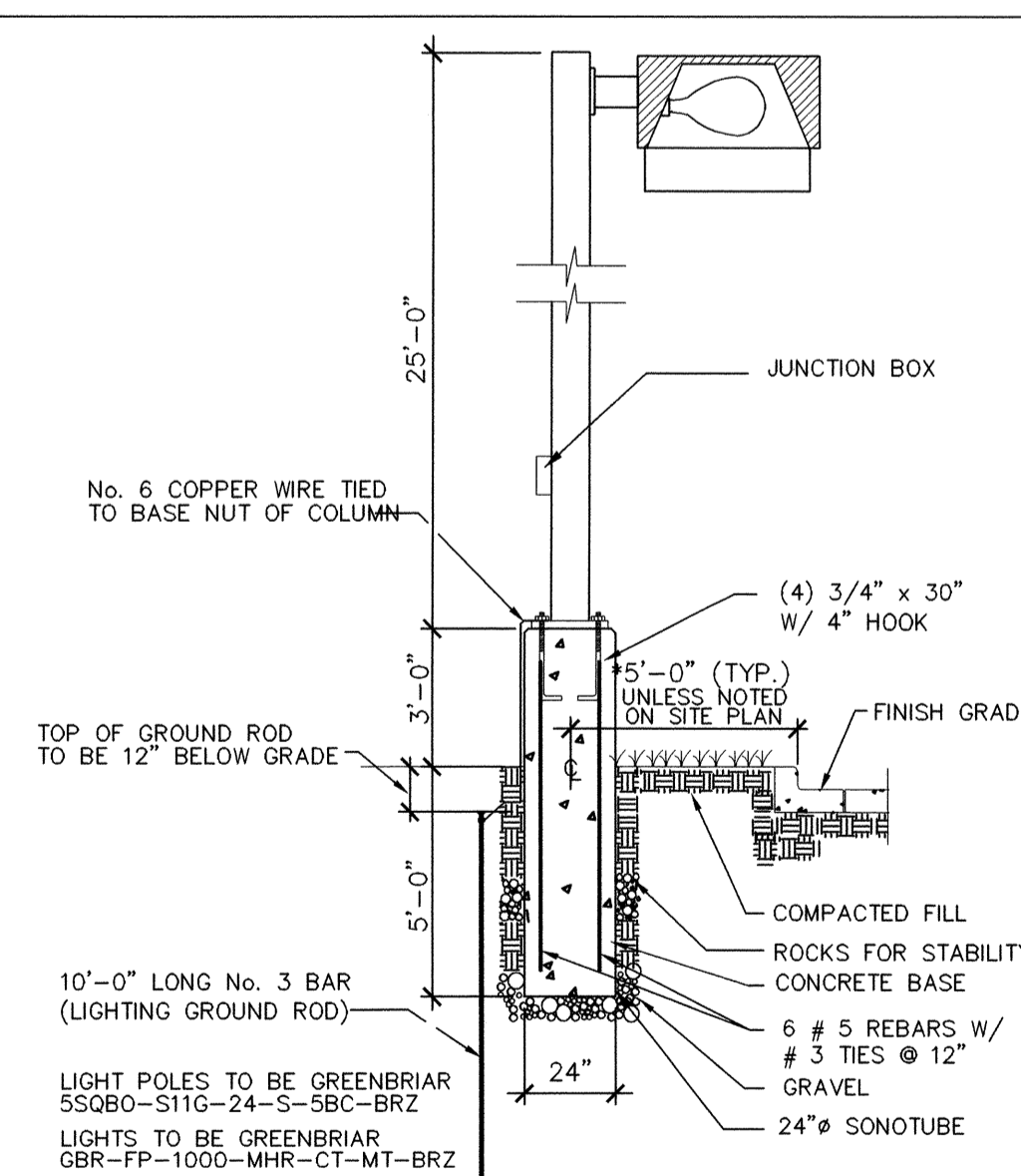
8A TYP. PARKING & BUMPER POSTS DETAIL N.T.S.  
13 TRAFFIC MARKINGS TO COMPLY WITH F.A.D.A.



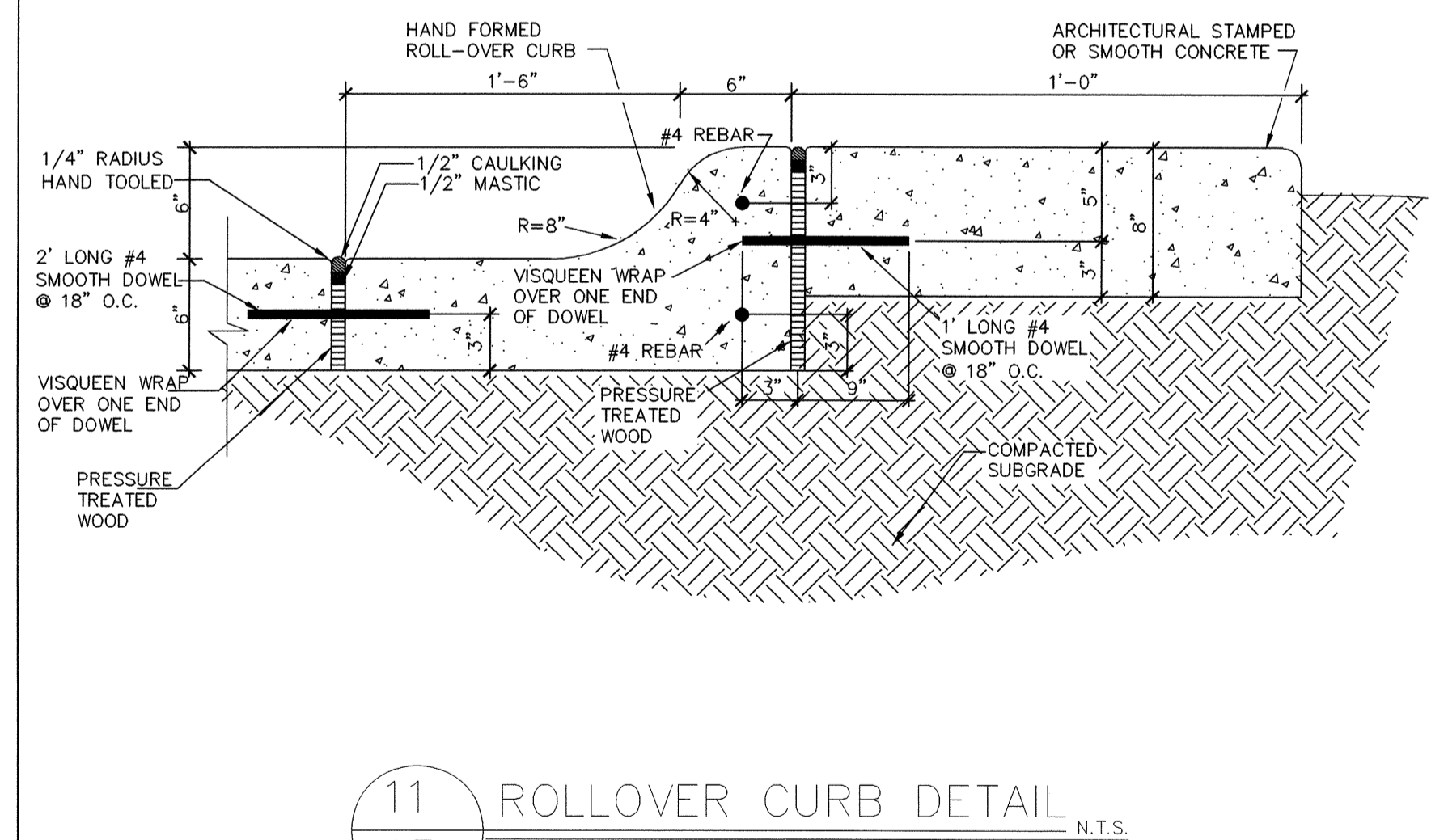
7 PVC CHASE N.T.S.  
13



9 TYPICAL CONCRETE IN FRONT OF DUMPSTER & AROUND TANK PAD N.T.S.  
13 NOTE: REFER TO "GRADE PLAN" FOR LOCATION

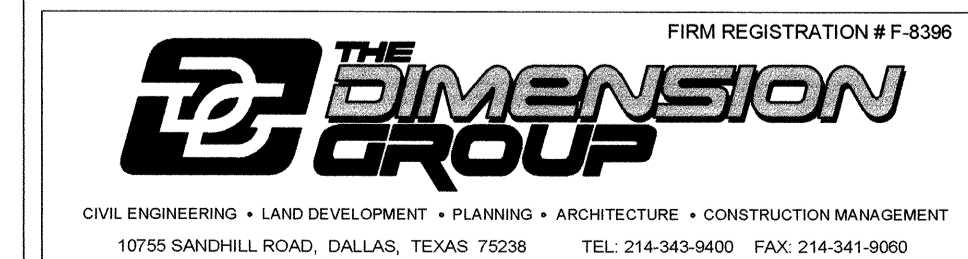


10 TYPICAL SITE LIGHTING SECTIONS N.T.S.  
13

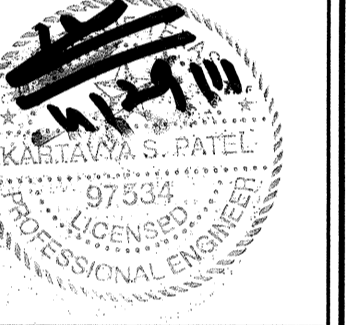


11 ROLLOVER CURB DETAIL N.T.S.  
13

AS-BUILT



DATE	4/18/11
BY	RP
REVISIONS	
NO.	1
AS-BUILT	



Racetrac  
THESE PLANS ARE SUBJECT TO FEDERAL COPYRIGHT LAWS. ANY USE OF SAME WITHOUT THE EXPRESSED WRITTEN PERMISSION OF RACETRAC PETROLEUM, INC. IS PROHIBITED.

Racetrac  
RACETRAC PETROLEUM, INC.  
300 TECHNOLOGY COURT  
SMYRNA, GEORGIA 30082  
(770) 431-7600

STANDARD DETAILS	DATE	5/18/10
RACETRAC SERVICE STATION	DWG NO.	13
SITE	S.H. 205 & S.H. 276 ROCKWALL, TEXAS	
SCALE	AS SHOWN	
DRAWN BY	CS	

13 SHEET NO. REV.