

No.	Date	Revisions	App.

**Kimley-Horn  
and Associates, Inc.**

12700 Park Central Drive, Suite 1800  
Dallas, Texas

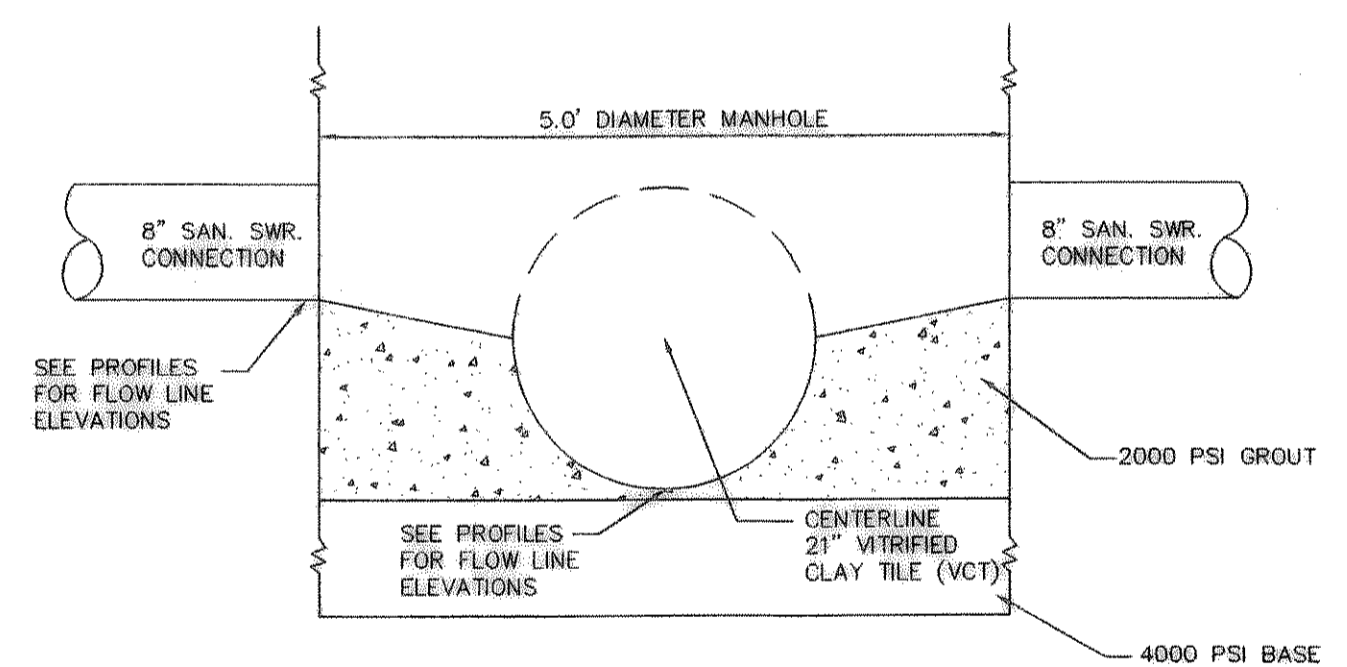
Tel. No. (972) 770-1300  
Fax No. (972) 255-3620

**ROCKWALL RETAIL  
CENTER  
CITY OF ROCKWALL, TEXAS**

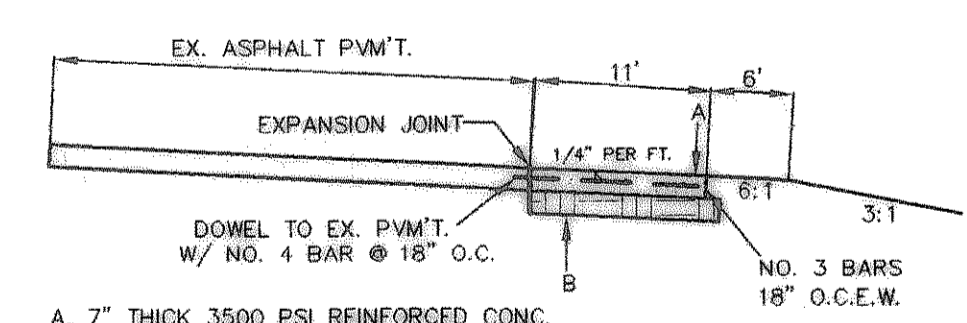
**DETAILS**

Scale:	NOT TO SCALE
Designed by:	NES
Drawn by:	RKR
Checked by:	KSG
Date:	JANUARY, 1999
Project No.:	063382.00

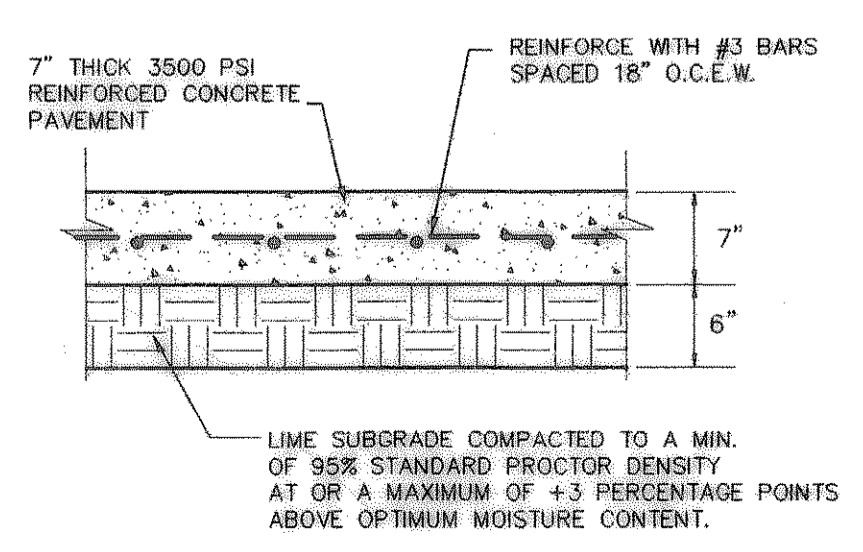
**"RECORD DRAWINGS"**  
NOTE: THE INTENT OF THE OWNER AND ENGINEER WAS TO CONSTRUCT THE IMPROVEMENTS ACCORDING TO THESE PLANS AS APPROVED BY THE CITY OF ROCKWALL. THE LINES AND GRADES WERE SET ON THE GROUND FOR CONSTRUCTION AND CONSTRUCTION SHALL BE IN ACCORDANCE WITH THE PLANS. ANY CHANGES OR REVISIONS TO THESE PLANS DURING CONSTRUCTION EXCEPT AS NOTED ON THE PLANS.



**CONNECTION DETAIL FOR 21" VCT (NTMWD)**  
NOT TO SCALE

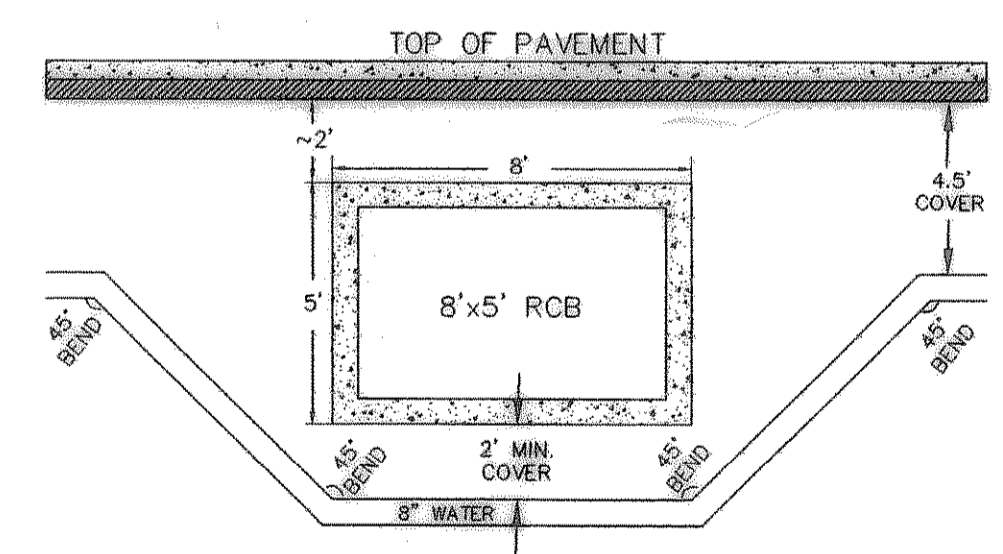


**TXDOT  
RIGHT TURN PAVEMENT SECTION**  
NOT TO SCALE

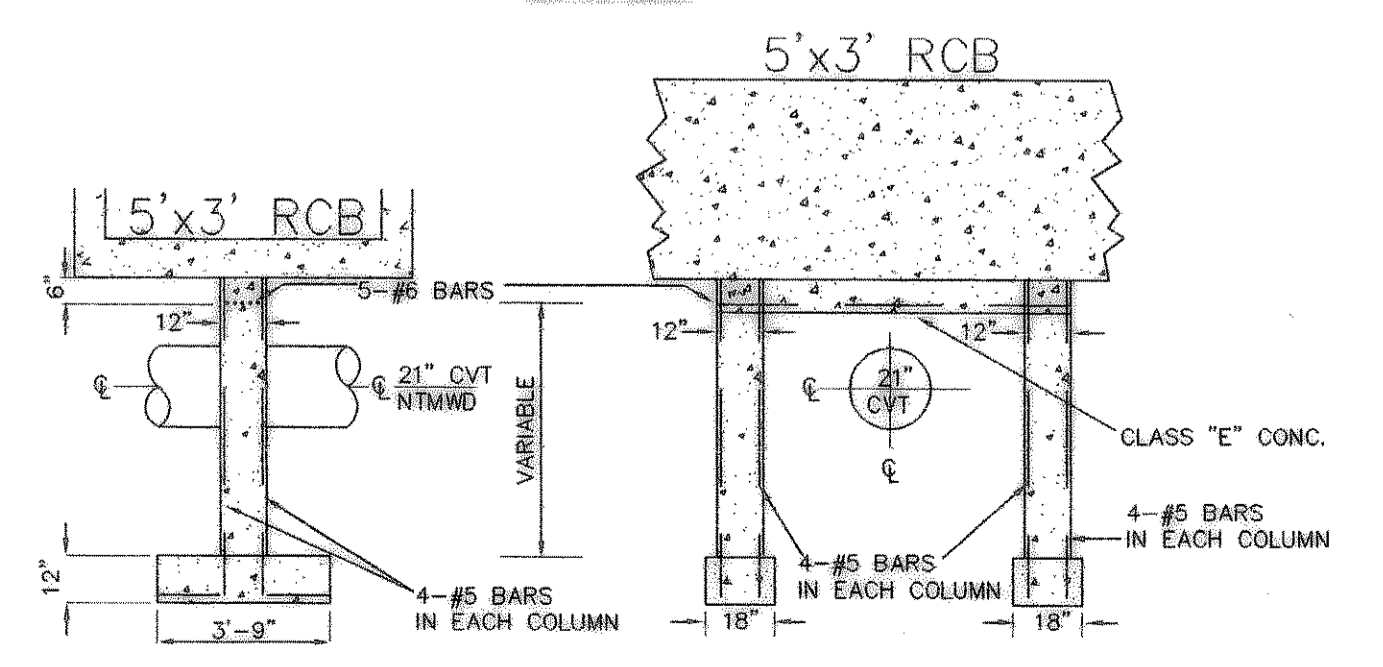


**TXDOT  
RIGHT TURN PAVEMENT SECTION**  
NOT TO SCALE

**NOTE:**  
CONSTRUCT 5.0' DIA. MANHOLE OVER EXISTING 21" VCT PIPE. REMOVE TOP HALF OF EXIST. 21" AND GROUT AS SHOWN. DUE TO BRITTLE NATURE OF CLAY PIPE, CONSTRUCTION IN AND AROUND THE EXISTING 21" NTMWD LINE SHOULD BE HANDLED WITH ADDITIONAL CAUTION. REMAINDER OF CONSTRUCTION SHOULD ADHERE TO "CITY OF ROCKWALL STANDARD CONSTRUCTION DETAILS".



**CLEARANCE DETAIL FOR 8" WATER**  
NOT TO SCALE



**TYPE "A" UTILITY SUPPORT**  
NOT TO SCALE