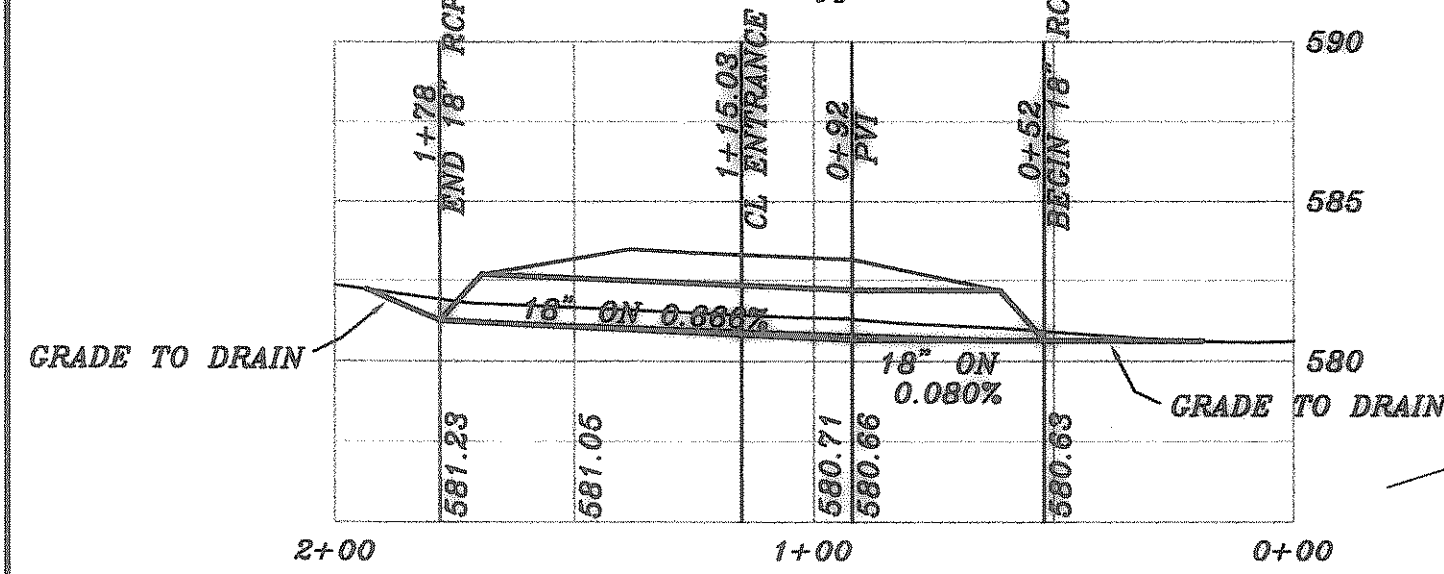
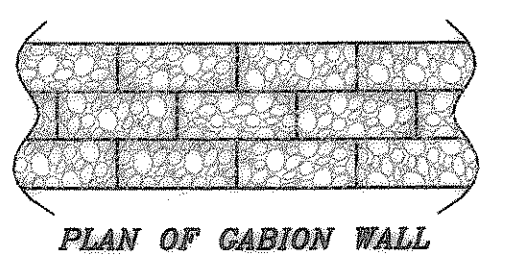
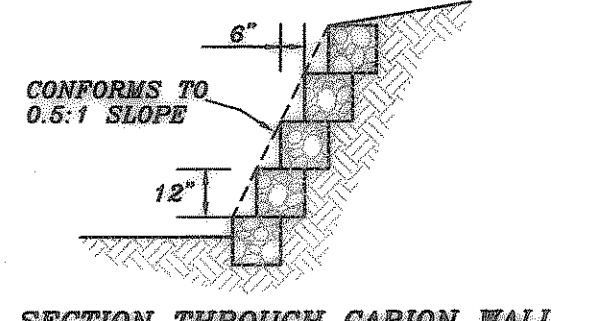
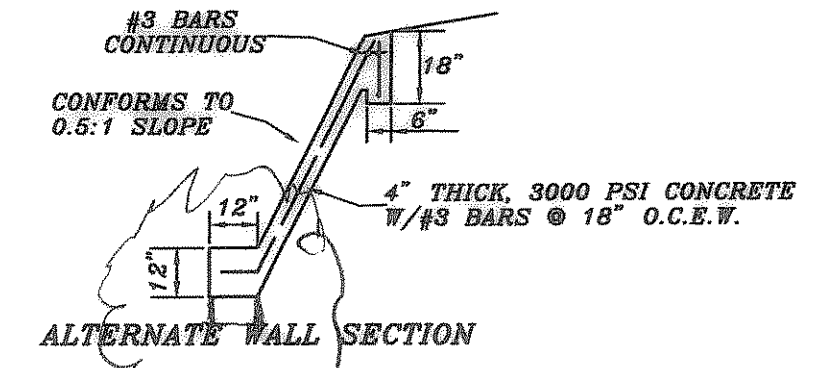
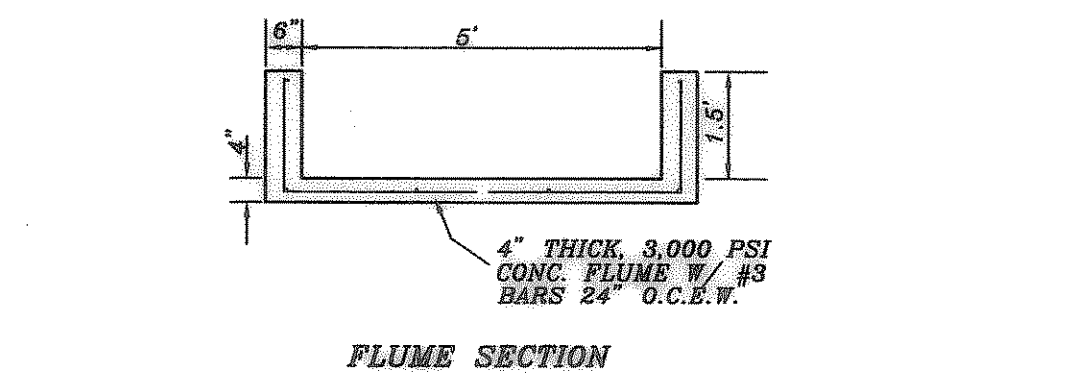
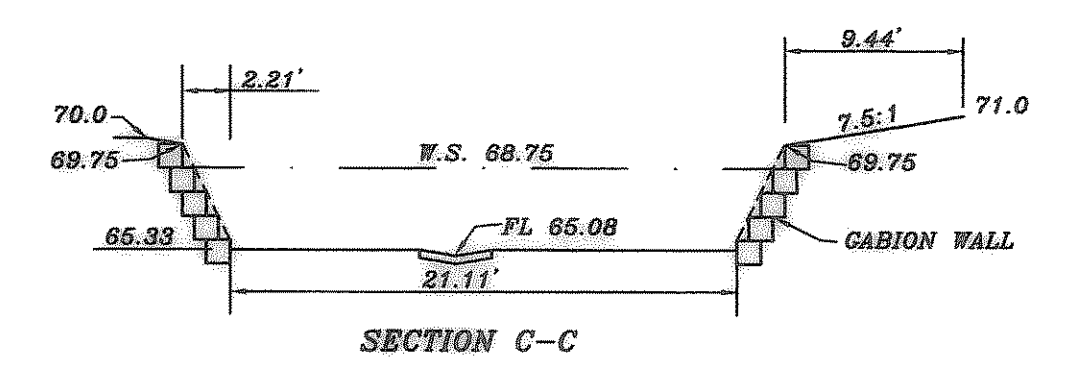
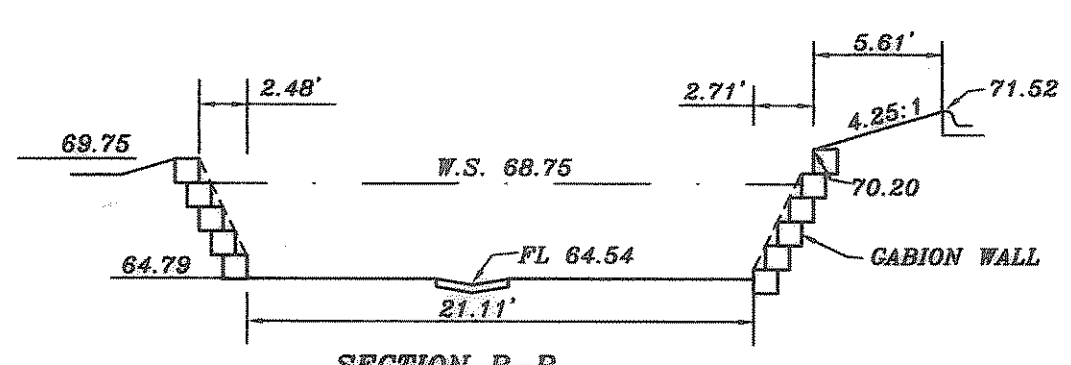
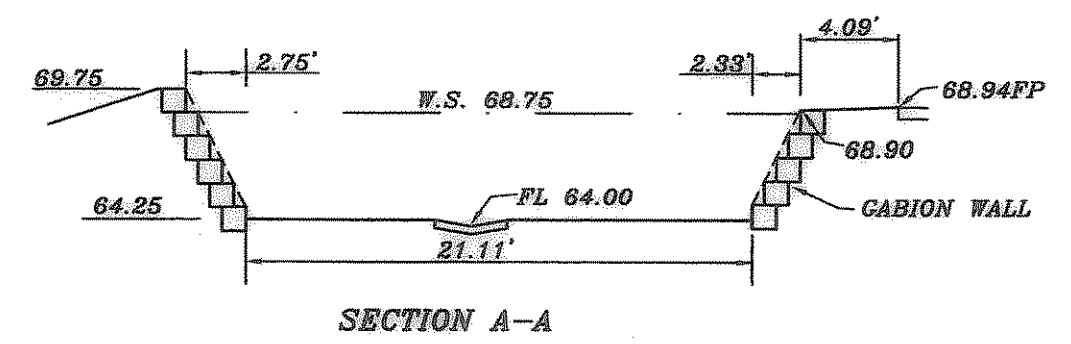
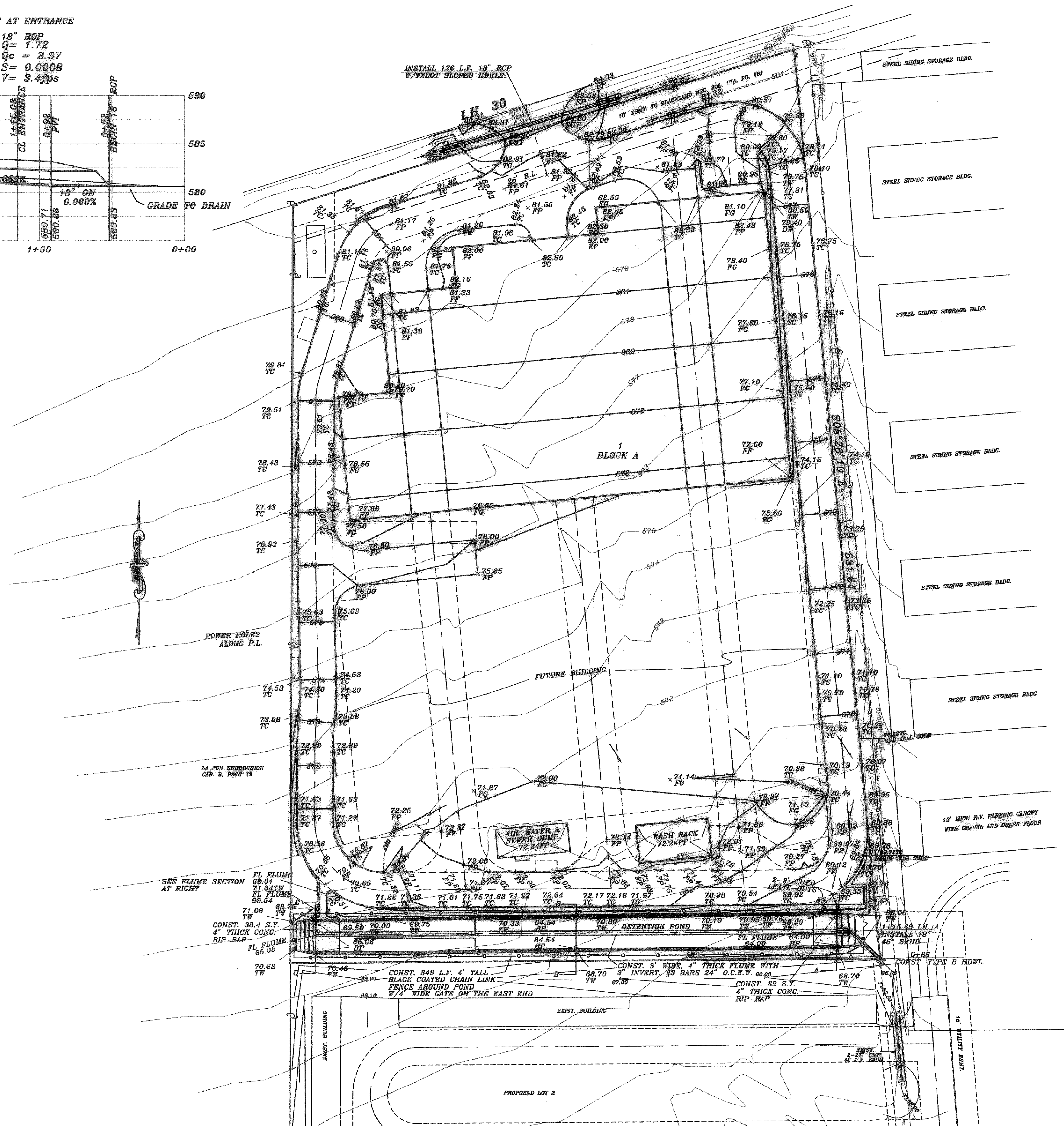


PIPE AT ENTRANCE

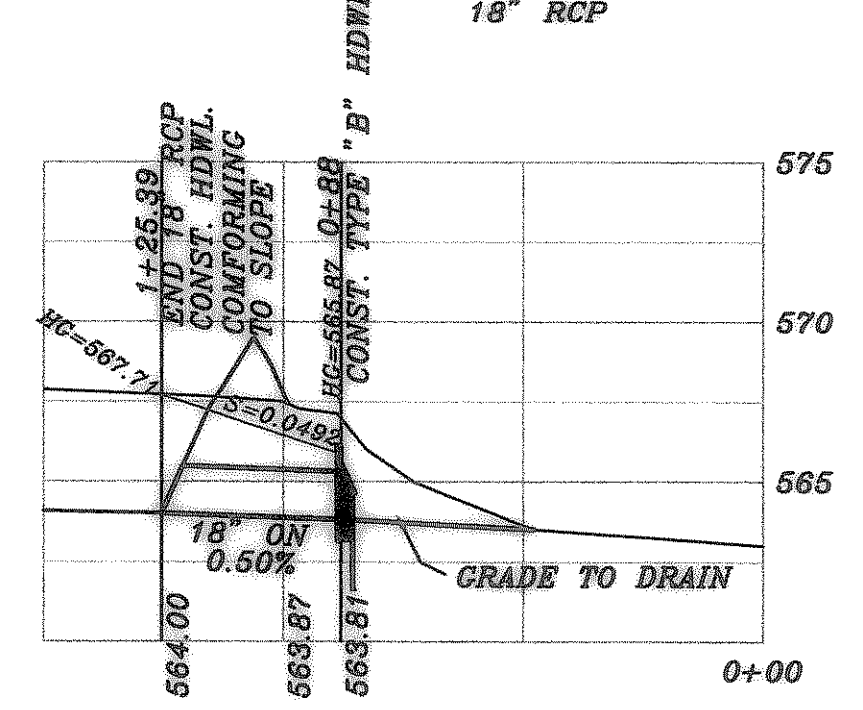
18" RCP
 Q = 1.72
 Qc = 2.97
 S = 0.0008
 V = 3.4 fps



INSTALL 126 L.F. 18" RCP W/TXDOT SLOPED HDWLS

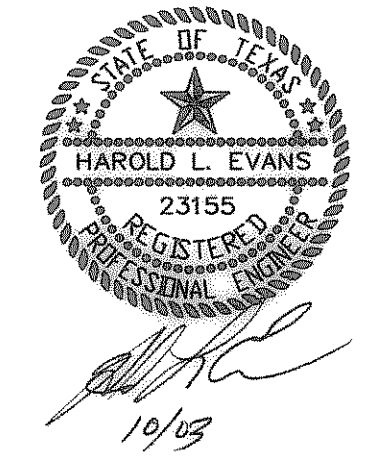


DETENTION POND OUTFALL



POND DEPTH	ELEV.	DISCHARGE(cfs)
1'	565.25	2.83
2'	566.25	8.83
3'	567.25	12.52
3.92'	568.17	15.13
4.5'	568.75	16.76

LEGEND
 FF.....FINISHED FLOOR
 TC.....TOP OF CURB
 FP.....FINISHED PAVING
 FG.....FINISHED GROUND
 TW.....TOP OF WALL
 BP.....BOTTOM OF POND



AS BUILT

REV.	6/25/03	HAROLD L. EVANS CONSULTING ENGINEER P.O. BOX 570365 2381 CUS THOMASSON ROAD, SUITE 102 DALLAS, TEXAS 75370, (214) 328-8133	GRADING AND PAVING PLAN		SHEET NO. 4	
REV.	2/25/03		R.V. PARKIT PLACE			6
REV.	12/26/02		LOT 1 BLOCK A, REPLAT/FINALPLAT			
REV.	12/18/02		McKEOWN-BELAUSTEGUI ADDITION			
REV.	12/7/02		CITY OF ROCKWALL			
REV.	12/10/02	DATE	SCALE	DESIGN	DRAWN	
REVISION DESCRIPTION		12/10/02	1" = 40'	H.L.E.		