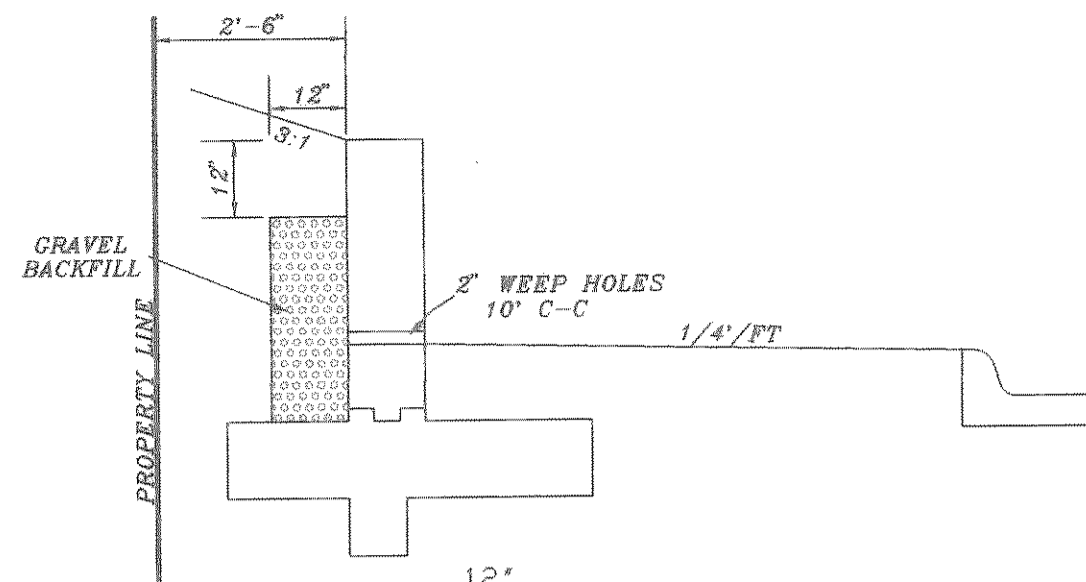


**NTMWD Notes**

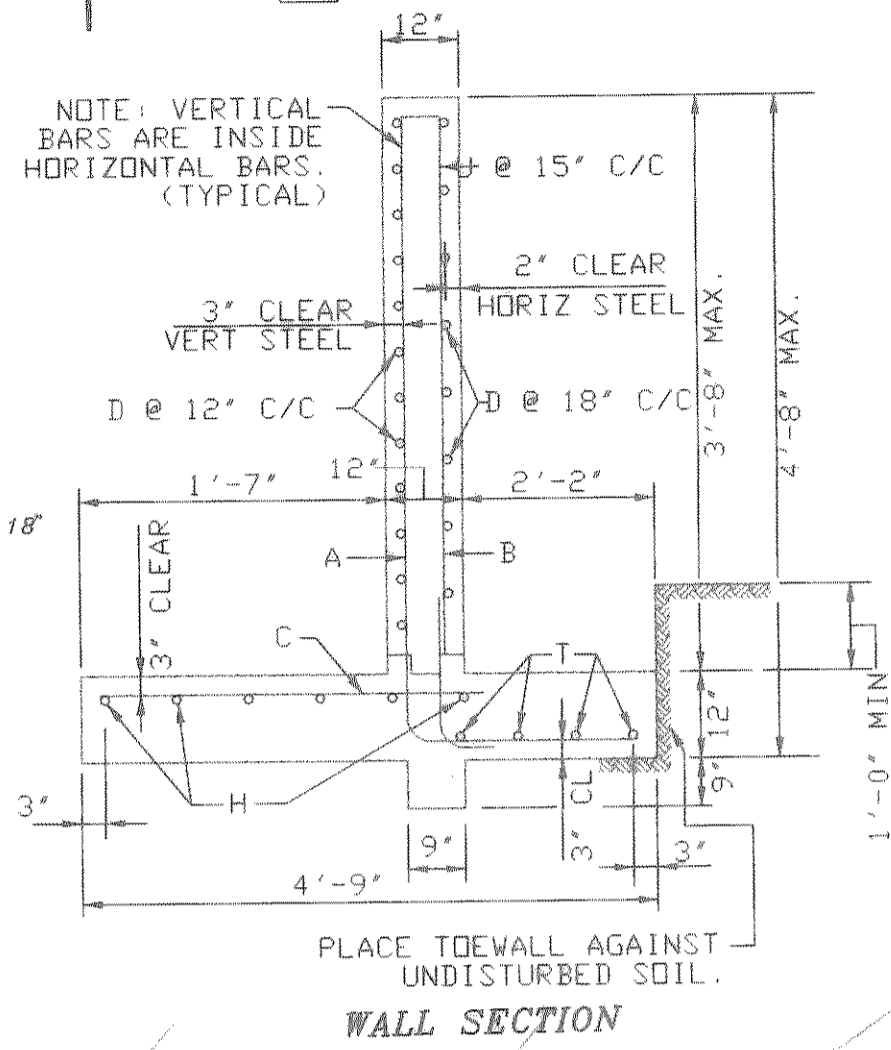
- A. North Texas Municipal Water District (NTMWD) 30-inch water transmission pipeline is located within limits of construction.
- B. Operation of heavy earthmoving equipment, compaction equipment or heavy construction equipment, such as concrete trucks, shall be restricted to specific crossing points across NTMWD easements, as approved by the NTMWD. The crossings shall be designated and verified to provide a minimum of five-feet of cover.
- C. To assure that placing of significant loads over the NTMWD pipeline does not damage the existing pipeline, no materials shall be stockpiled on the NTMWD easement without authorization from the NTMWD. If the contractor desires to use NTMWD's easement for stockpile of materials, contact NTMWD Engineering at 972/442-5405 so your plans for use NTMWD's easement can be reviewed.
- D. In areas where the cover between the top of NTMWD pipeline and the bottom of the sub-grade is three (3) feet or less, it is requested that the sub-grade preparation be deleted and a thickened pavement section be used to limit construction activities over the pipeline.
- E. Crossing of the NTMWD easement with other utilities, such as TV cable, phone, gas, and electric, shall be coordinated with the NTMWD to avoid damage to the NTMWD facilities.
- F. Outdoor lighting, landscaping screening walls or other facilities shall not be installed in NTMWD easements without written approval of the NTMWD.
- G. Unless otherwise shown or required, a minimum of one-foot clearance shall be provided for all utilities crossing the NTMWD pipelines.
- H. Water and sewer lines crossing the NTMWD easement shall be installed in compliance with the Rules and Regulations for Public Water Systems Paragraph 290.44(e), Location of Water Lines.
- I. The contractor shall contact NTMWD Engineering at 972-442-5405 at least 48 hours prior to performing any work in the vicinity of the NTMWD facilities.



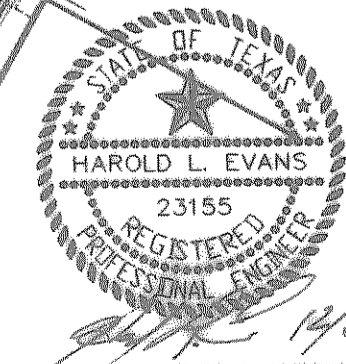
**NOTE: VERTICAL BARS ARE INSIDE HORIZONTAL BARS. (TYPICAL)**

**CONTRACTOR SHALL VERIFY THE LOCATION OF THE NTMWD WATER LINE PRIOR TO ANY GRADING AND CONSTRUCTION. EXCAVATION ADJACENT TO NTMWD PIPELINES TO INSTALL PROPOSED CONNECTIONS OR IMPROVEMENTS SHALL BE PERFORMED SO THAT THE PIPELINES ARE NOT DISPLACED OR DAMAGED. ANY DAMAGED PIPELINE SHALL BE REPAIRED TO THE SATISFACTION OF THE NTMWD. ANY COST FOR REPAIR OF DAMAGE TO THE PIPELINES RESULTING FROM CONSTRUCTION BY THE DEVELOPER OR CONTRACTOR WILL BE THE RESPONSIBILITY OF THE DEVELOPER OR CONTRACTOR.**

SIZE	SPACING
A #5	15"
B #5	15"
C #4	15"
D #5	12" & 18"
H #5	12"
T #5	12"
U #5	15"



**WALL SECTION**



**PHASE 2B**

BENCH MARK  
SQUARE CUT IN CONCRETE AT BASE OF  
CONCRETE WALL AT S.W. CORNER OF  
SOUTH APPROACH TO BRIDGE OVER  
SQUABBLE CREEK ON HWY. 205  
ELEV.: 472.41

BENCH MARK  
60D NAIL IN 34" PECAN TREE (TREE NO. 2314)  
PAY. STA. 1+83.138' RT. AUDOBON LANE  
ELEV.: 480.88

BENCH MARK  
60D NAIL IN 36" PECAN TREE (TREE NO. 2302)  
PAY. STA. 8+30.71' RT. MEMORIAL DRIVE  
ELEV.: 466.79

BENCH MARK  
60D NAIL IN 18" PECAN TREE (TREE NO. 2114)  
PAY. STA. 10+97.635' RT. AUDOBON LANE  
ELEV.: 501.54

REVISION DESCRIPTION	DATE	SCALE	DSIGN	DRAWN
REV. PER 3rd CITY REVIEW	11/25/01	1" = 60'	H.L.E.	
REV. PER 2nd CITY REVIEW	6/23/01			
	5/12/01			

**HAROLD L. EVANS**  
CONSULTING ENGINEER  
P.O. BOX 28365  
2331 CUS THOMASSON ROAD, SUITE 102  
DALLAS, TEXAS 75228. (214) 328-8133

<b>LOT GRADING PLAN</b>		SHEET NO. 28
<b>QUAIL RUN VALLEY NO. 2</b>		JOB NO. 0020
<b>CITY OF ROCKWALL</b>		