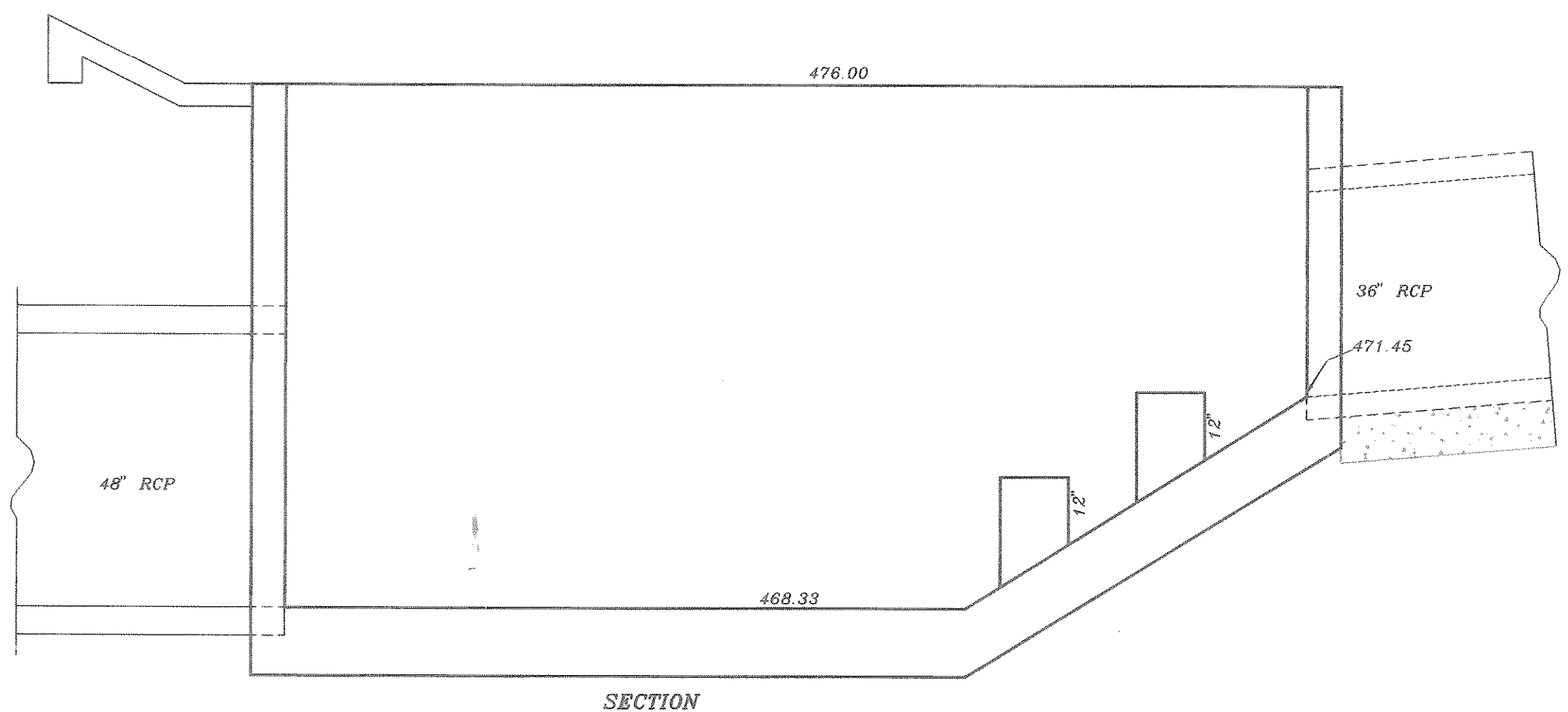
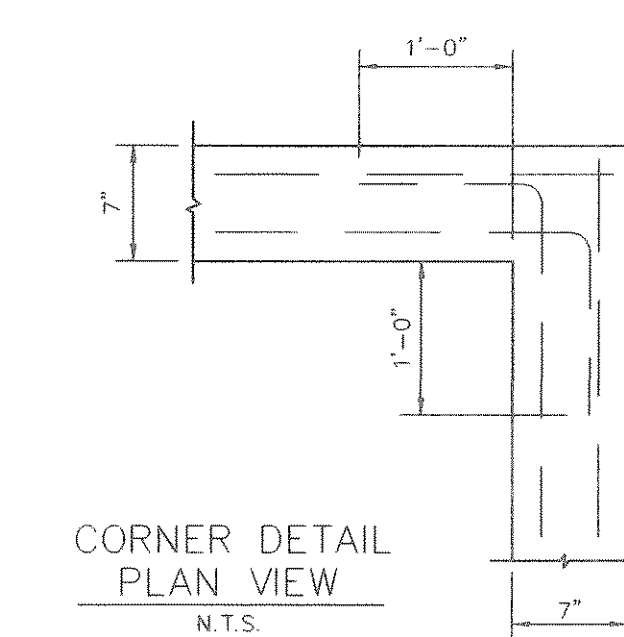
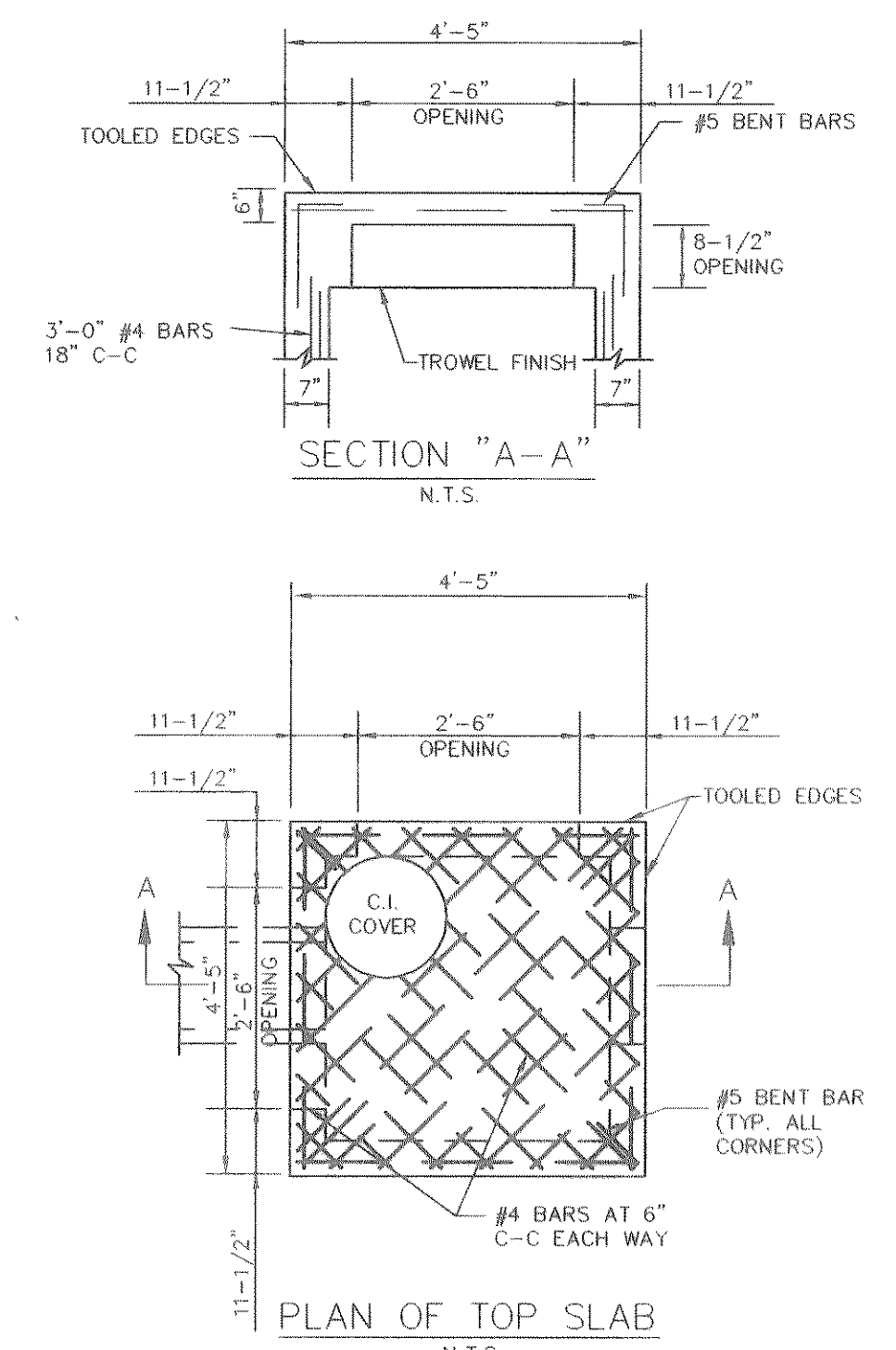
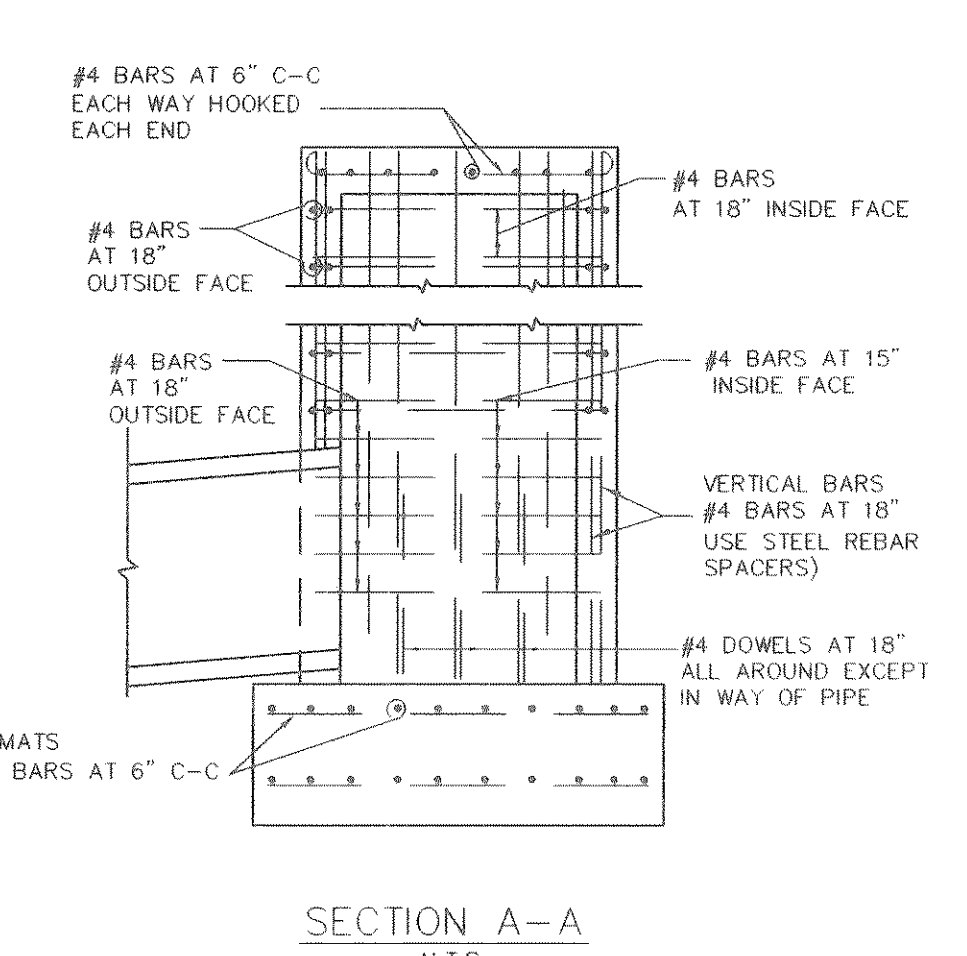
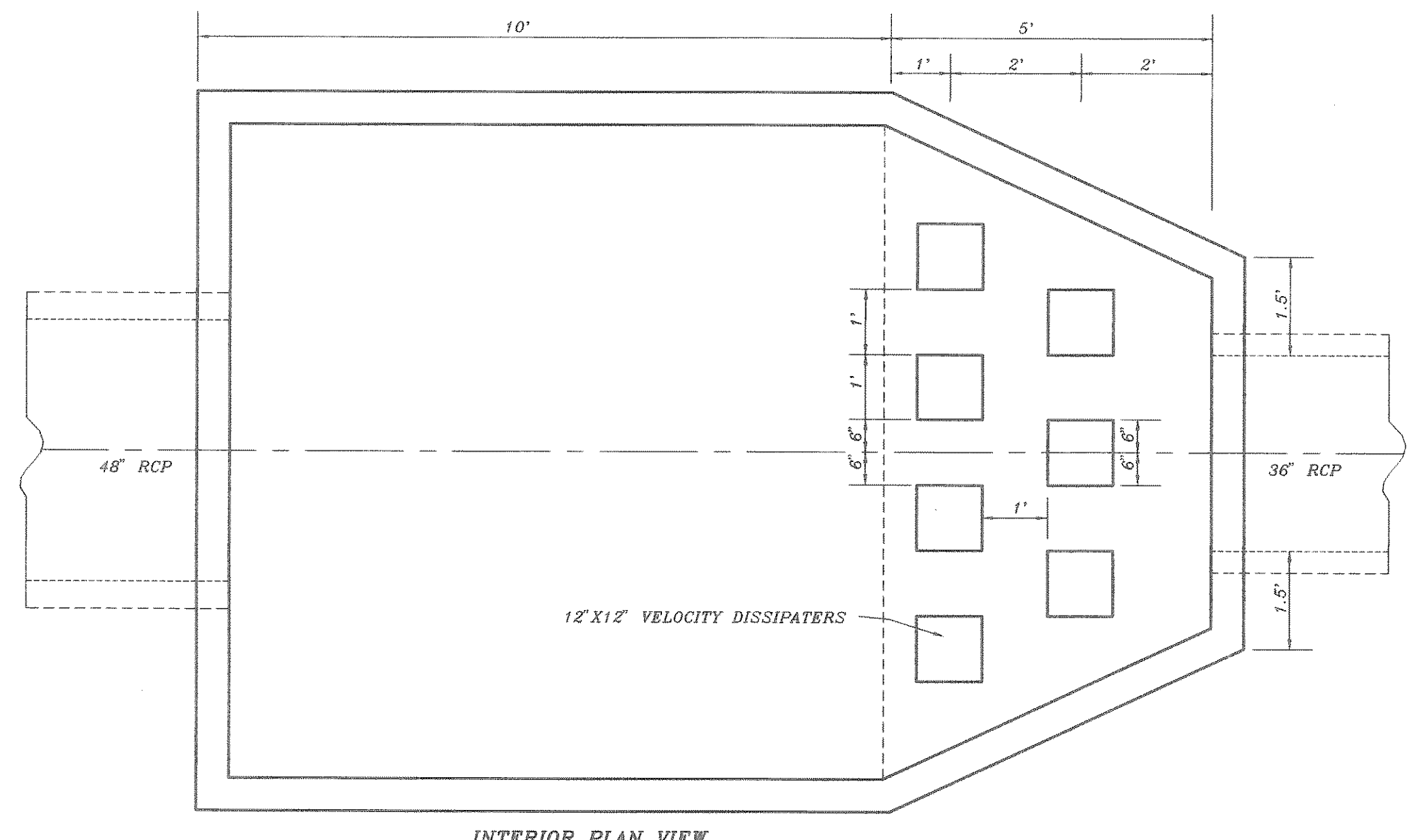
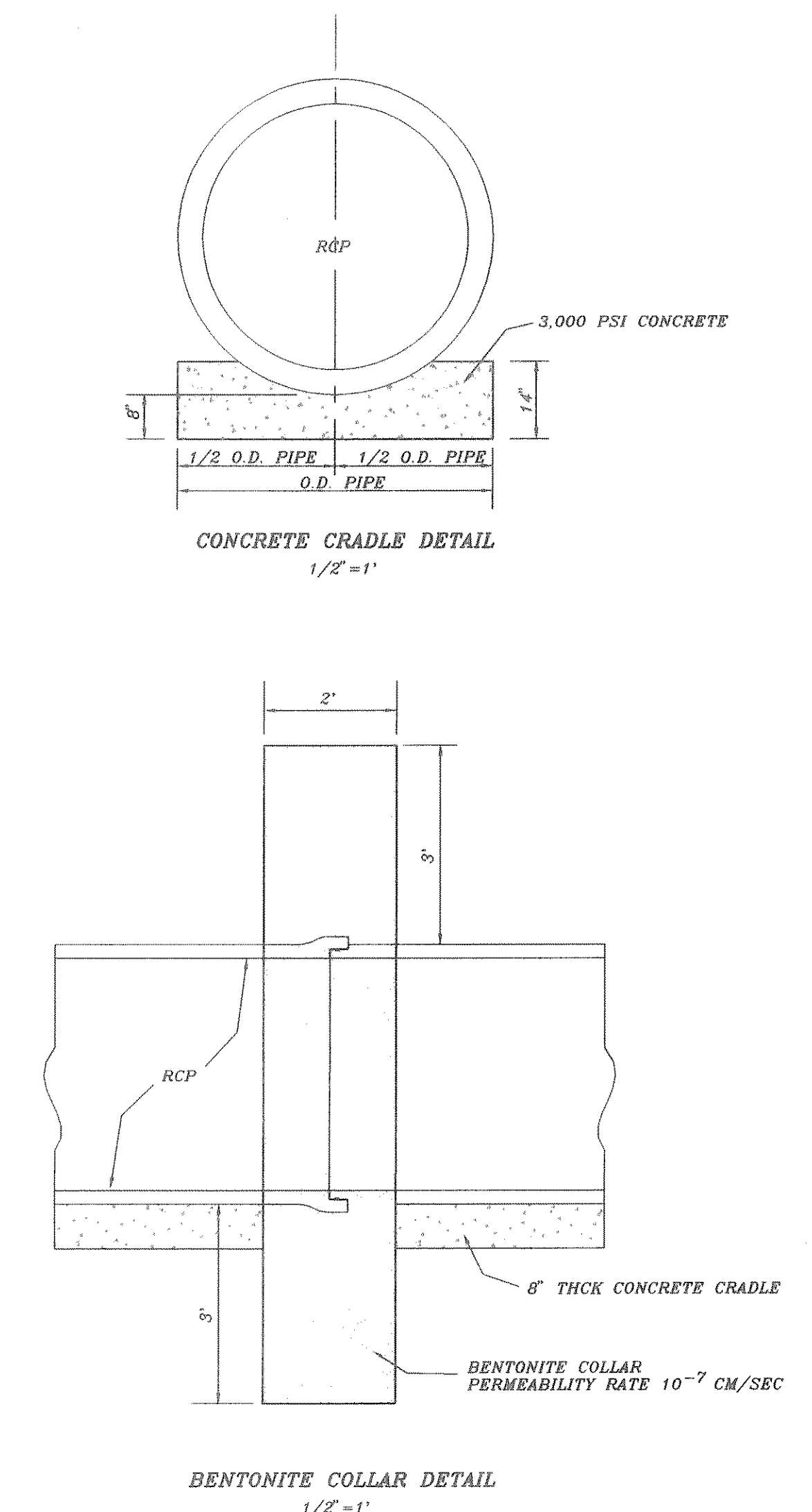
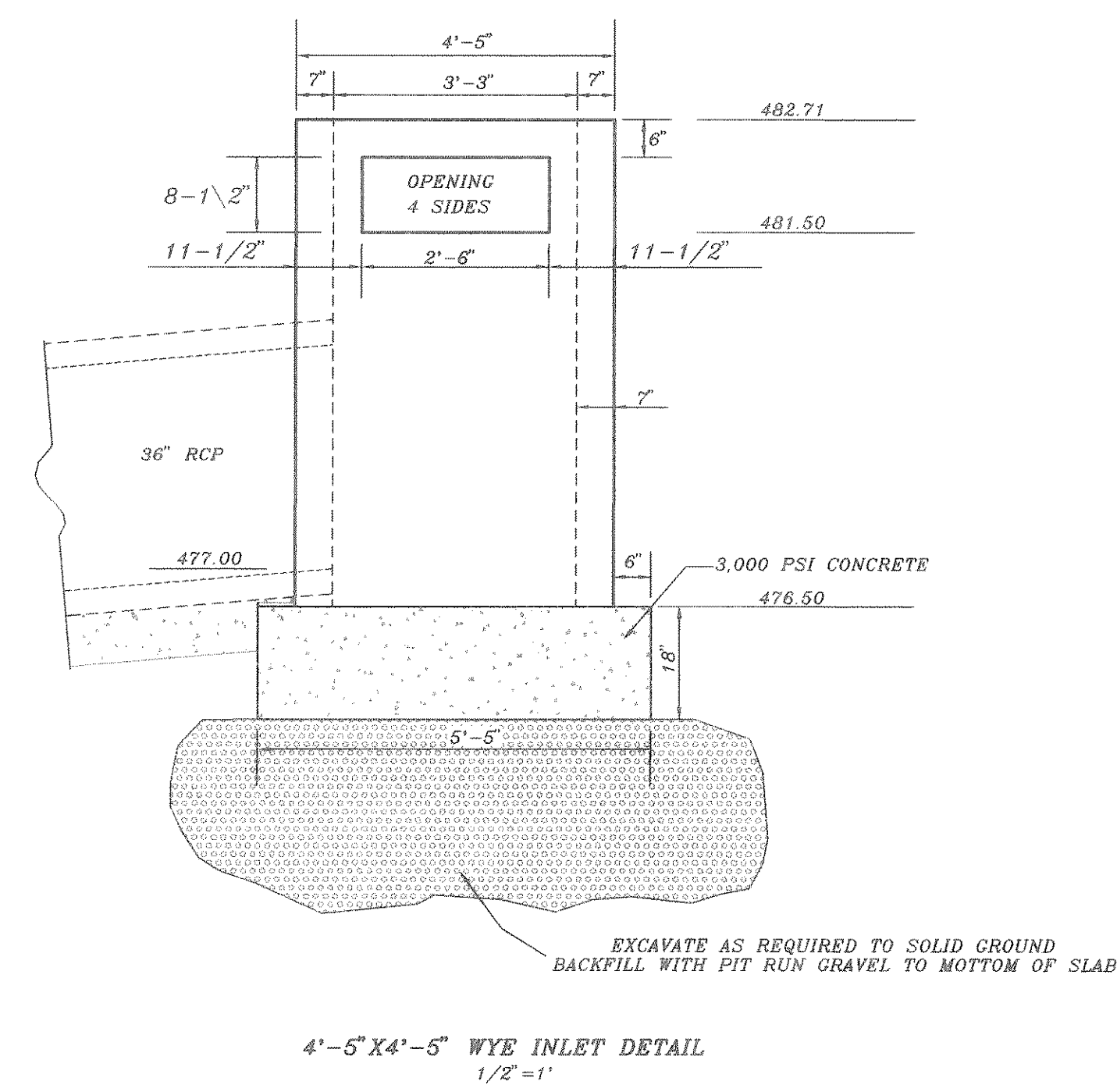
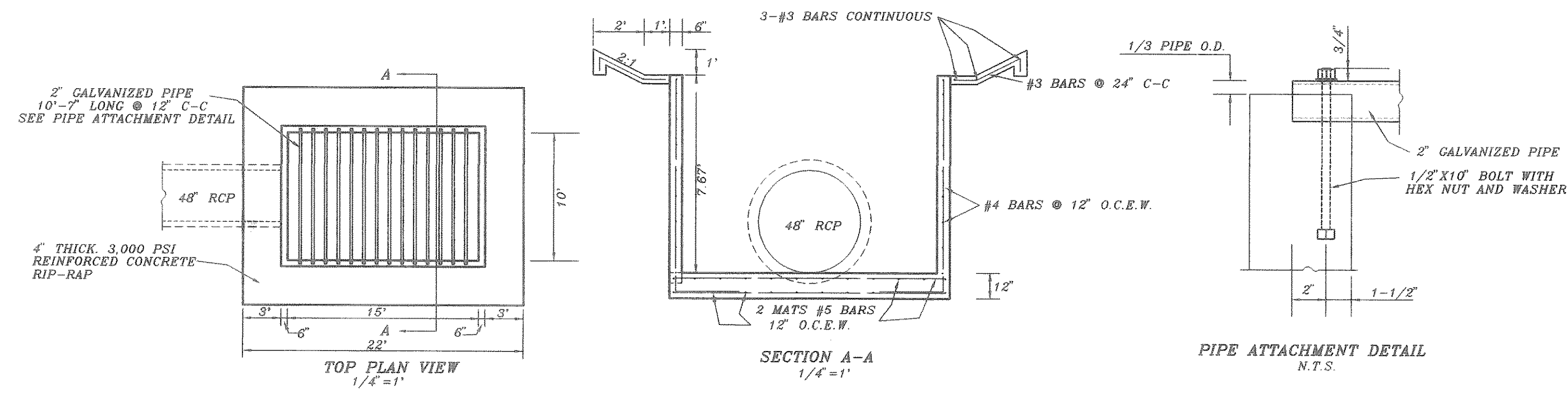
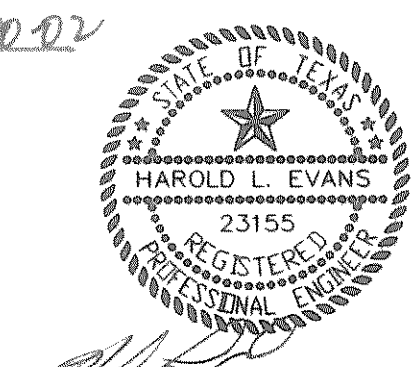


DETAILS OF SPECIAL 10'X15' DROP INLET



- NOTES:
- MATERIAL AND WORKMANSHIP SHALL CONFORM WITH THE REQUIREMENTS OF NCTCOG STANDARD SPECIFICATIONS FOR STANDARD CONCRETE MANHOLES. MINIMUM CLASS "A" CONCRETE.
 - LAYERS OF REINFORCING STEEL NEAREST THE INTERIOR AND EXTERIOR SURFACES SHALL HAVE A COVER OF 2" TO THE CENTER OF BARS, UNLESS OTHERWISE NOTED.
 - DEPTH OF DROP INLET FROM FINISHED GRADE TO FLOW LINE OF INLET IS VARIABLE. APPROXIMATE DEPTH WILL BE SHOWN ON PLANS AT LOCATION OF INLET.
 - ALL STANDARD DROP INLETS SHALL HAVE ONE OPENING ON EACH SIDE UNLESS OTHERWISE SHOWN ON PLANS.

AS-BUILT
 W. L. EVANS & ASSOCIATES, INC.
 DATE 4-20-02



REV. PER 3rd CITY REVIEW 6/11/01 REV. 5/8/01 REV. 3/9/01 REV. PER CITY REVIEW 2/25/01		HAROLD L. EVANS CONSULTING ENGINEER P.O. BOX 28355 2331 CUS THOMASSON ROAD, SUITE 102 DALLAS, TEXAS 75228. (214) 328-8133		SHEET NO. 17 21	
REVISION DESCRIPTION 0020 DETAIL		DATE 2/4/01	SCALE AS SHOWN	DESIGN H.L.E.	DRAWN
PROPOSED DRAINAGE OUTFALL WORKS DETAILS QUAIL RUN VALLEY NO. 1 CITY OF ROCKWALL				JOB NO. 0020	