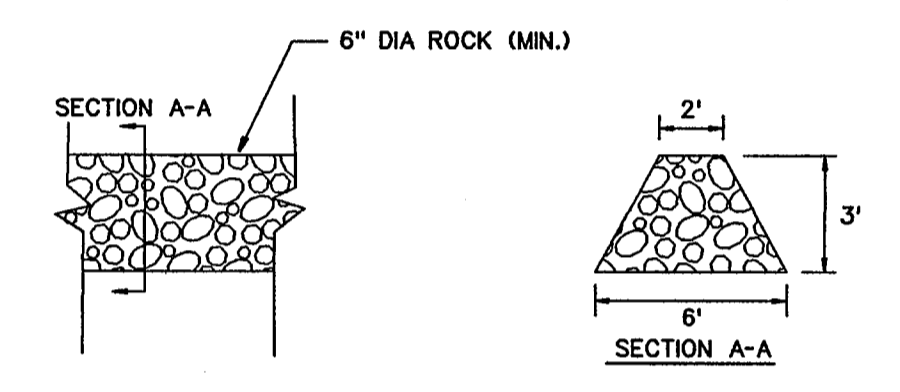
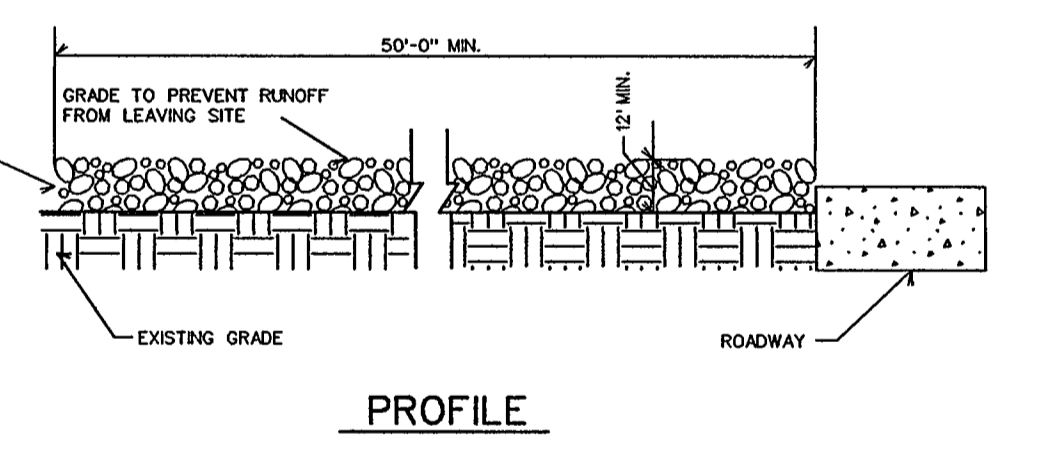


CONSTRUCTION SEQUENCE

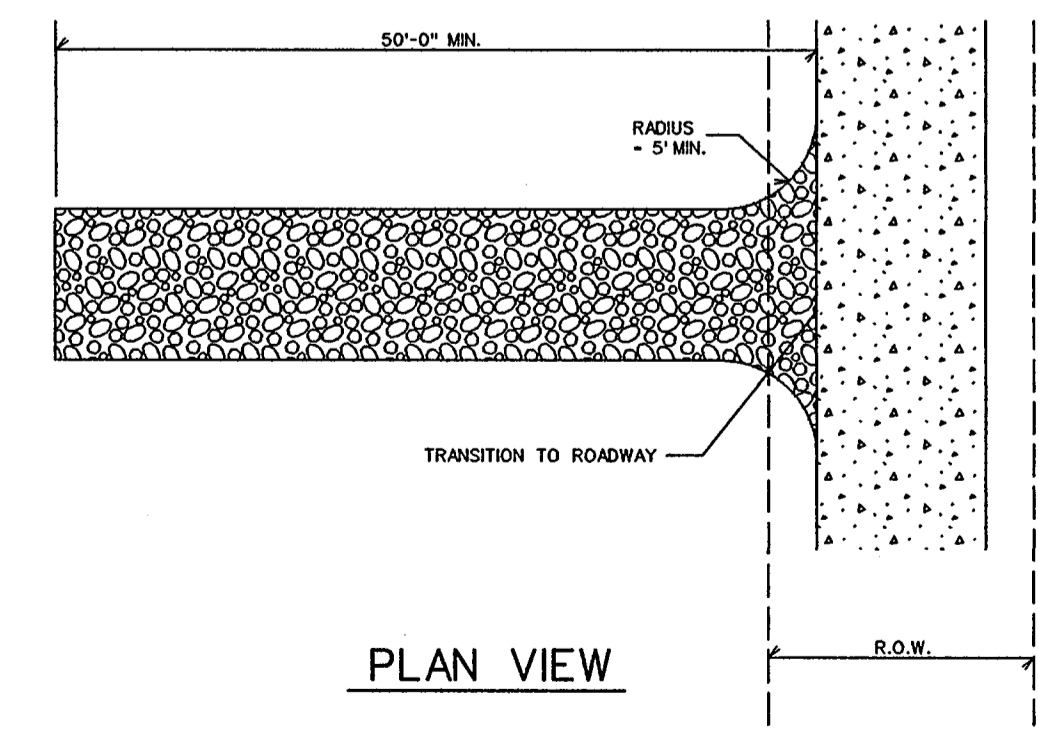
1. INSTALL TEMPORARY STABILIZED ENTRANCE.
2. INSTALL SILT FENCE (TS-600 POLY FELT) PER C.O.G. SPECIFICATIONS AND ROCK DAMS AS SHOWN.
3. PERFORM UTILITY CONSTRUCTION BY PAVING CONTRACTOR.
4. SILT FENCE SHALL REMAIN IN PLACE UNTIL RE-VEGETATION HAS BEEN COMPLETED.
5. CONTRACTOR SHALL REMOVE TEMPORARY STABILIZED ENTRANCE.
6. PRIOR TO CITY ACCEPTANCE THE CONTRACTOR SHALL BE RESPONSIBLE FOR REMOVING ANY MUD OR SILT WHICH COLLECTS ON THE EXISTING PAVEMENT.



ROCK DAM
N.T.S.

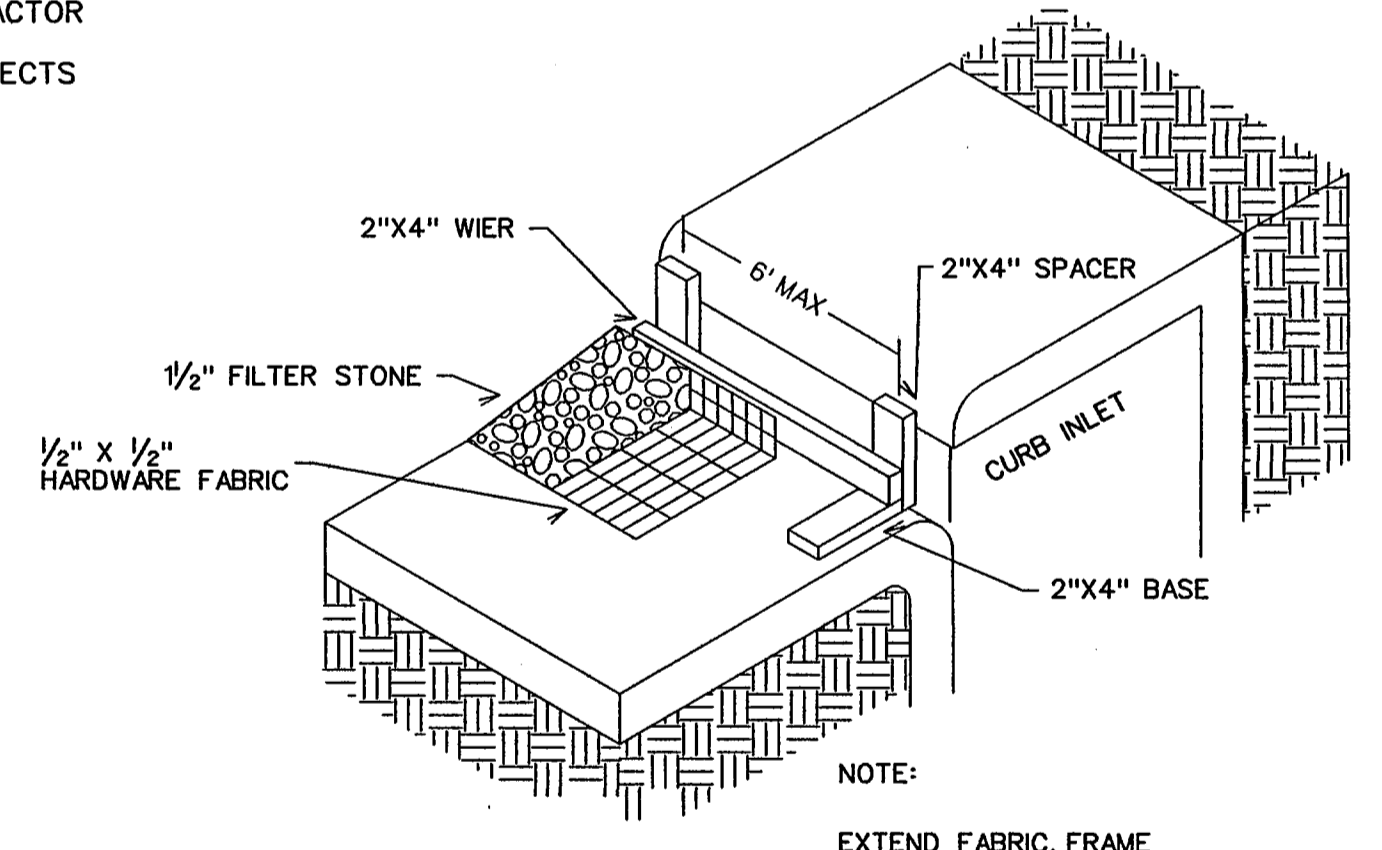


PROFILE

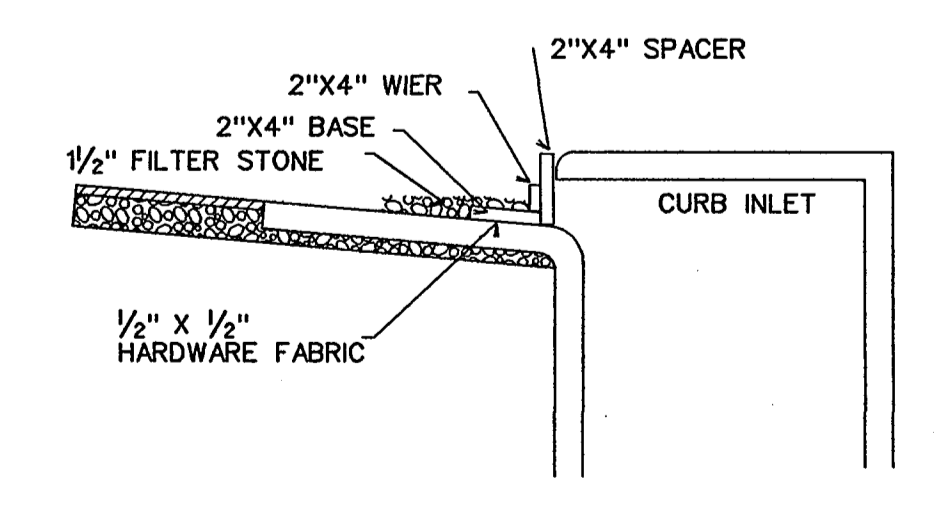


PLAN VIEW

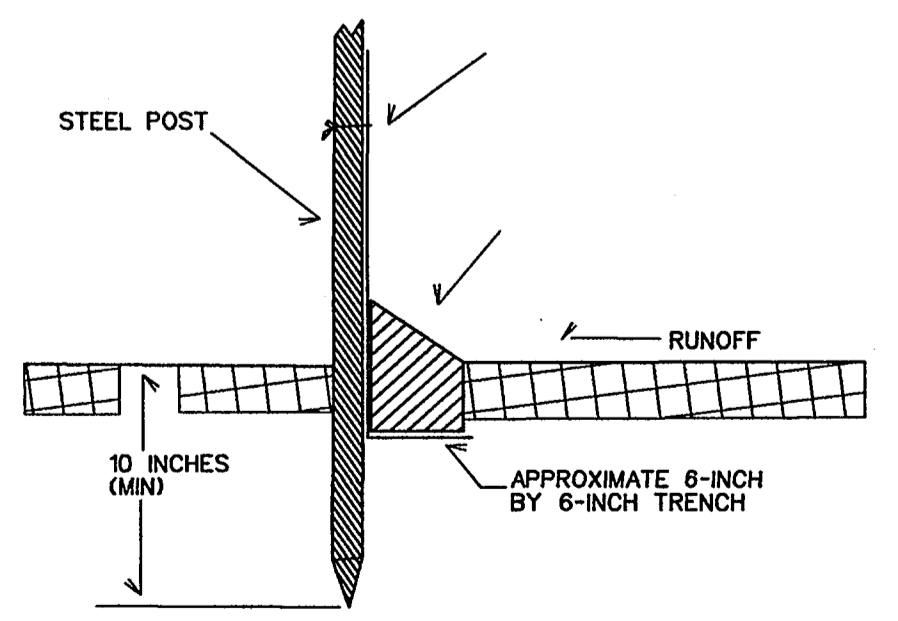
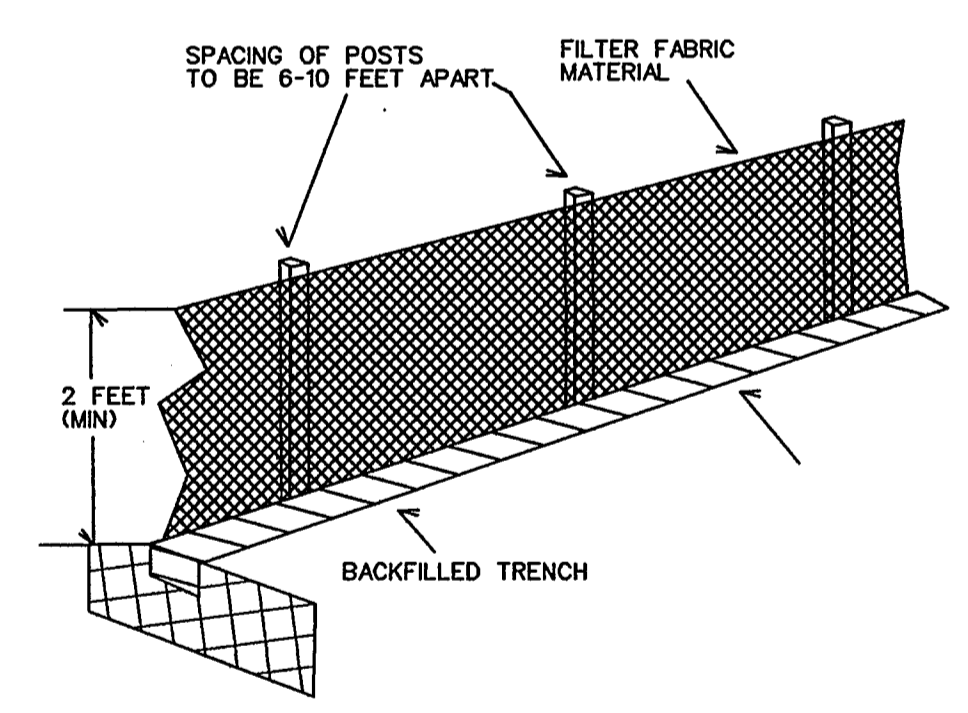
STABILIZED ENTRANCE DETAIL



NOTE:
EXTEND FABRIC, FRAME AND FILTER STONE 12' BEYOND END OF INLET ON BOTH ENDS.



INLET SECTION
TYPE B CURB INLET PROTECTION



FILTER FABRIC FENCE DETAIL

- LEGEND**
- SILT FENCE (BEFORE CONSTRUCTION) - - - - -
 - INLET PROTECTION [Symbol]



The seal appearing on this document was authorized by Brandon Davidson P.E. 87682, on December 17, 2013

AS-BUILT DECEMBER 2013
BASED ON SURVEYING AT THE SITE AND INFORMATION PROVIDED BY THE CONTRACTOR

CORWIN ENGINEERING, INC. 200 W. BELMONT, SUITE E ALLEN, TEXAS 75013 (972)396-1200 TBPE FIRM #5951			
DEVELOPMENT PLANS FOR QUAIL RUN LIFT STATION FORCE MAIN UPGRADE ROCKWALL, TEXAS			
EROSION CONTROL PLAN			
DRAWN BY BDD	DESIGNED BY BDD	CHECKED BY BDD	SHEET NO.
JOB NUMBER 13038	DATE SEPTEMBER 2013	SCALE: 1"=60'	3 OF 3