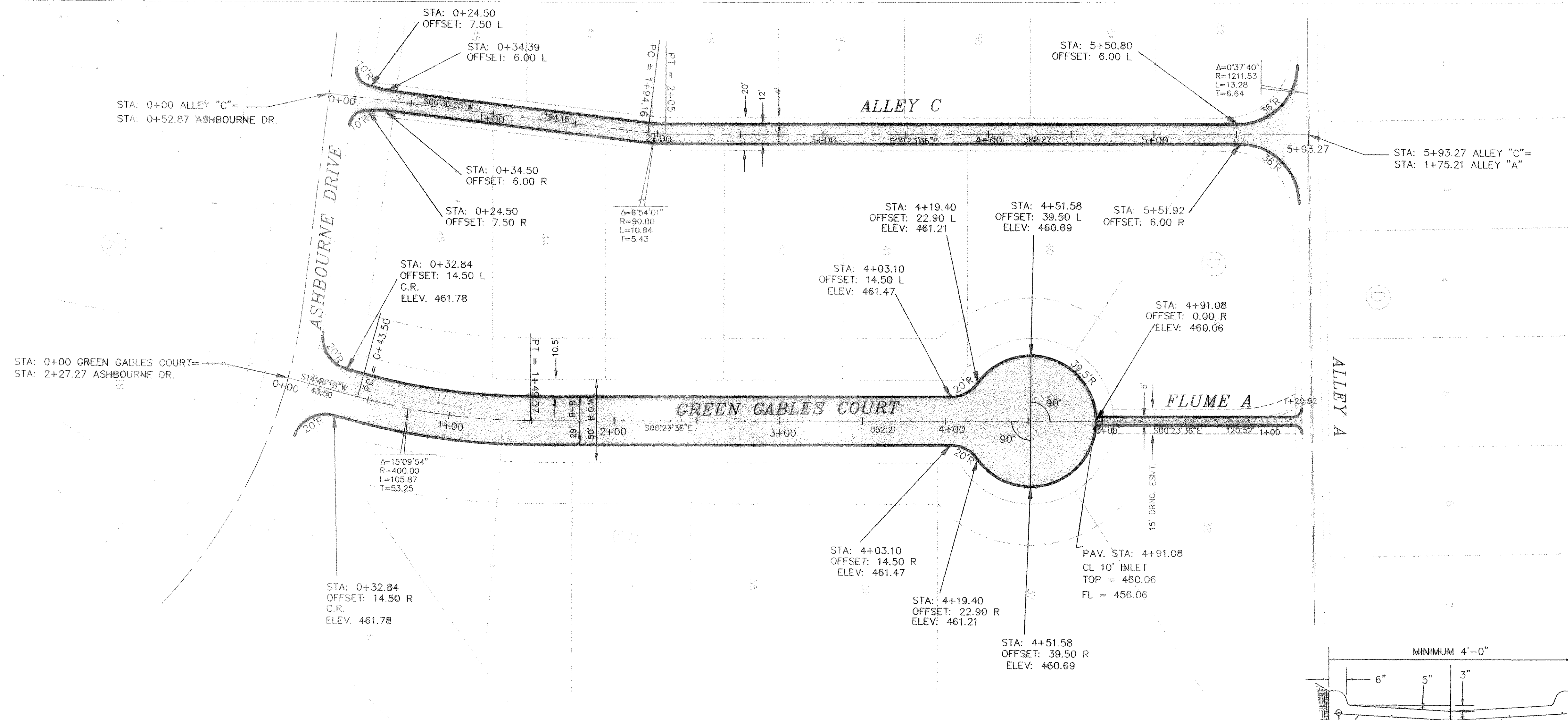
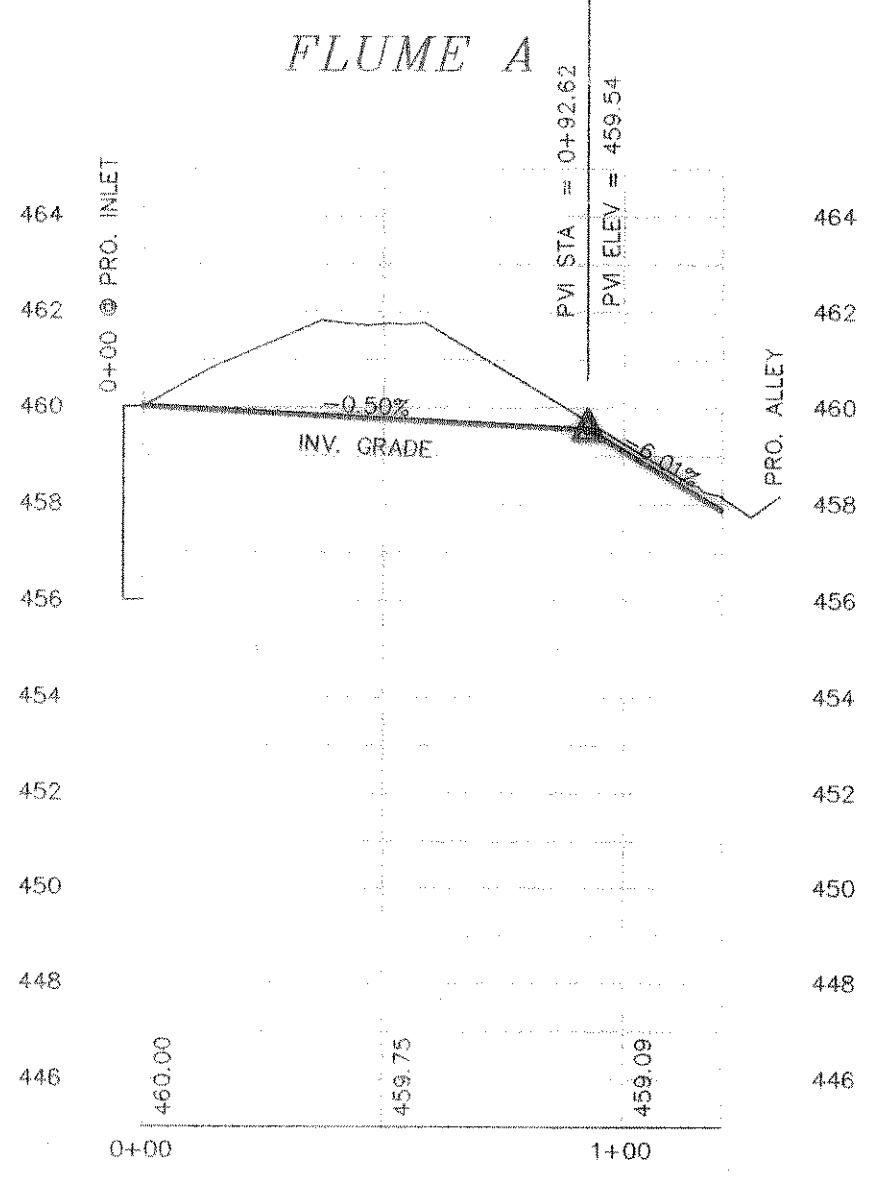
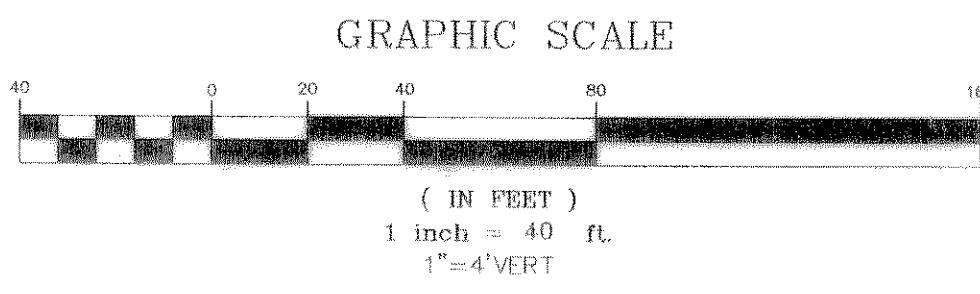


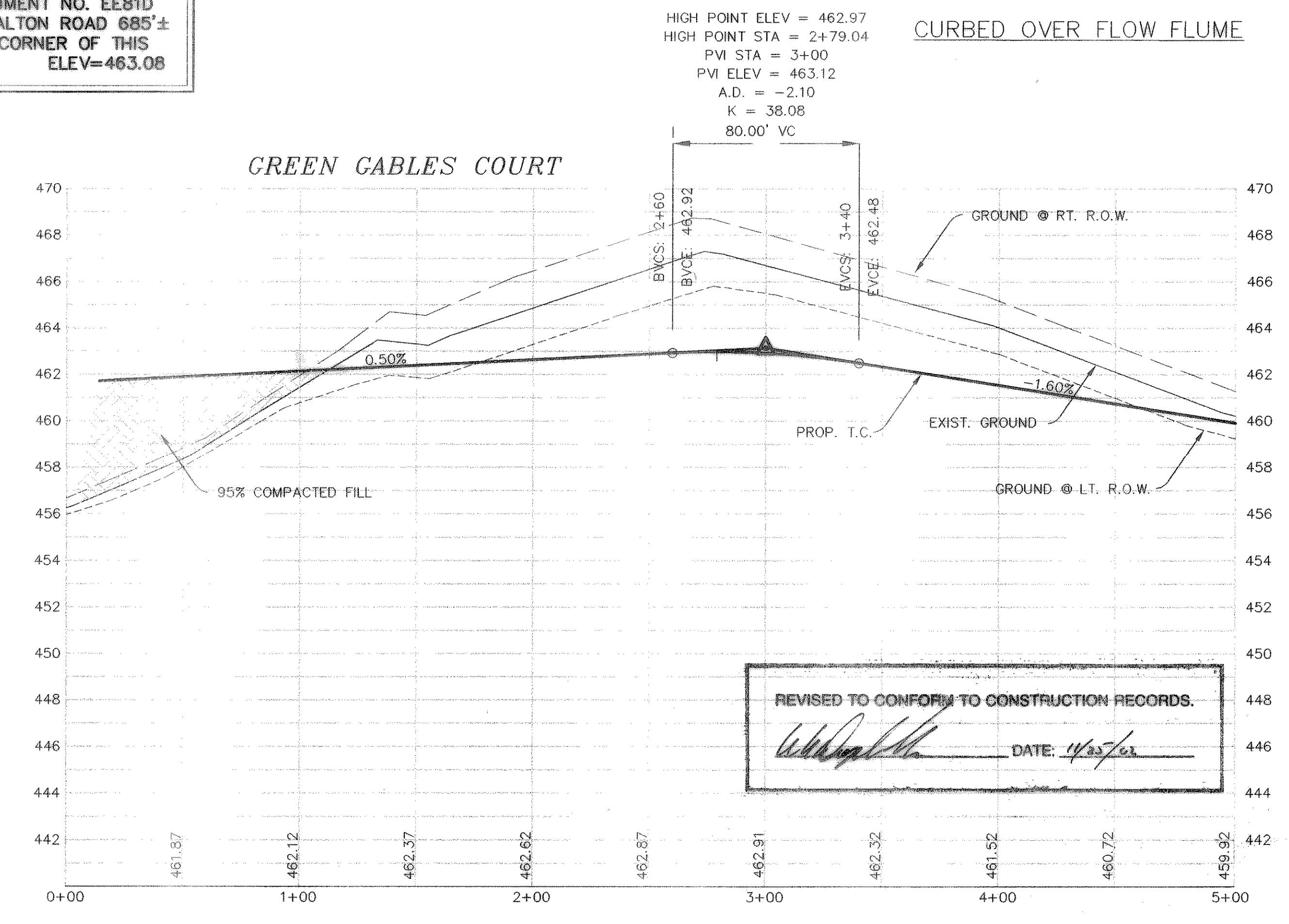
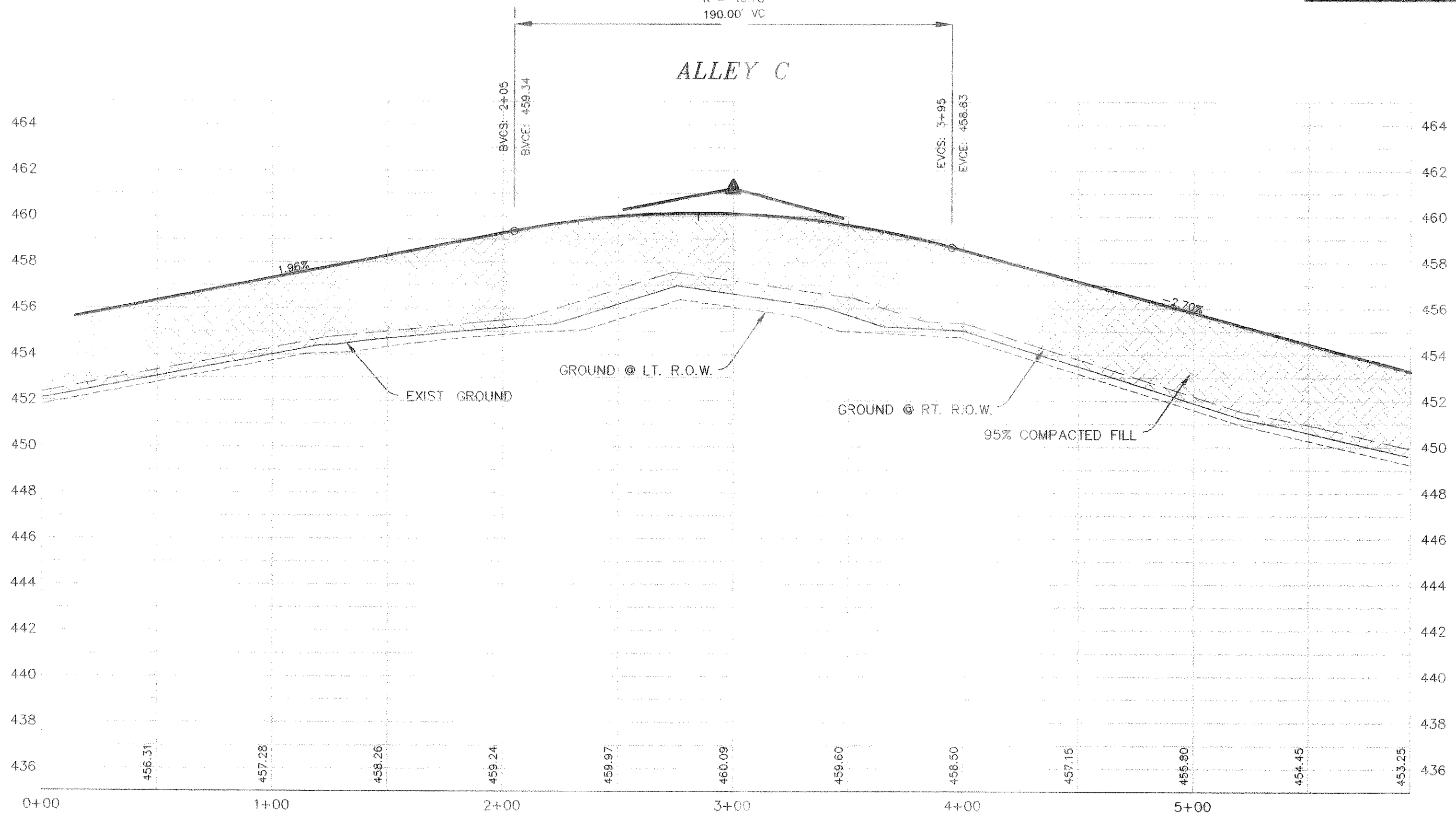
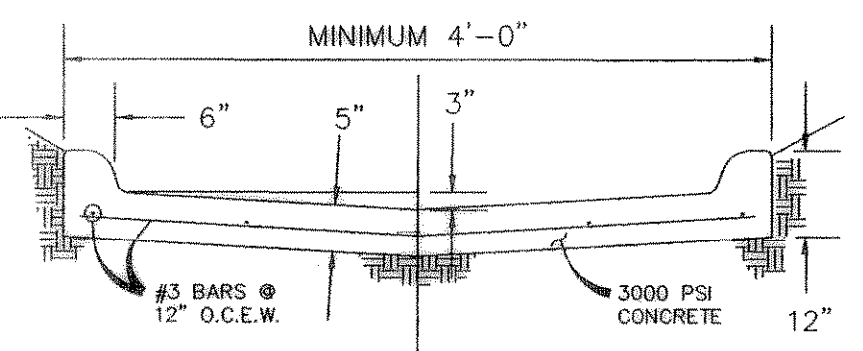
DOUPHRADE & ASSOCIATES, INC.
 ENGINEERING - PROJECT MANAGEMENT - SURVEYING
 2235 RIDGE RD., # 200 ROCKWALL, TEXAS 75087
 PHONE: (972)771-9004 FAX: (972)771-9005

PAVING PLAN & PROFILE
GREEN GABLES CT., ALLEY C & FLUME A
 PROMENADE HARBOR
 CITY OF ROCKWALL, ROCKWALL COUNTY, TEXAS

REVISION
 W.L.D. CHECKED
 K.E.B. DRAWN
 09/01 DATE
 0050PV15 PROJECT



BENCHMARK:
 CITY OF DALLAS MONUMENT NO. EE81D
 ON NORTH SIDE OF DALTON ROAD 685'±
 EAST OF NORTHWEST CORNER OF THIS
 TRACT. ELEV=463.08



REVISED TO CONFORM TO CONSTRUCTION RECORDS.
 [Signature] DATE: 11/25/01