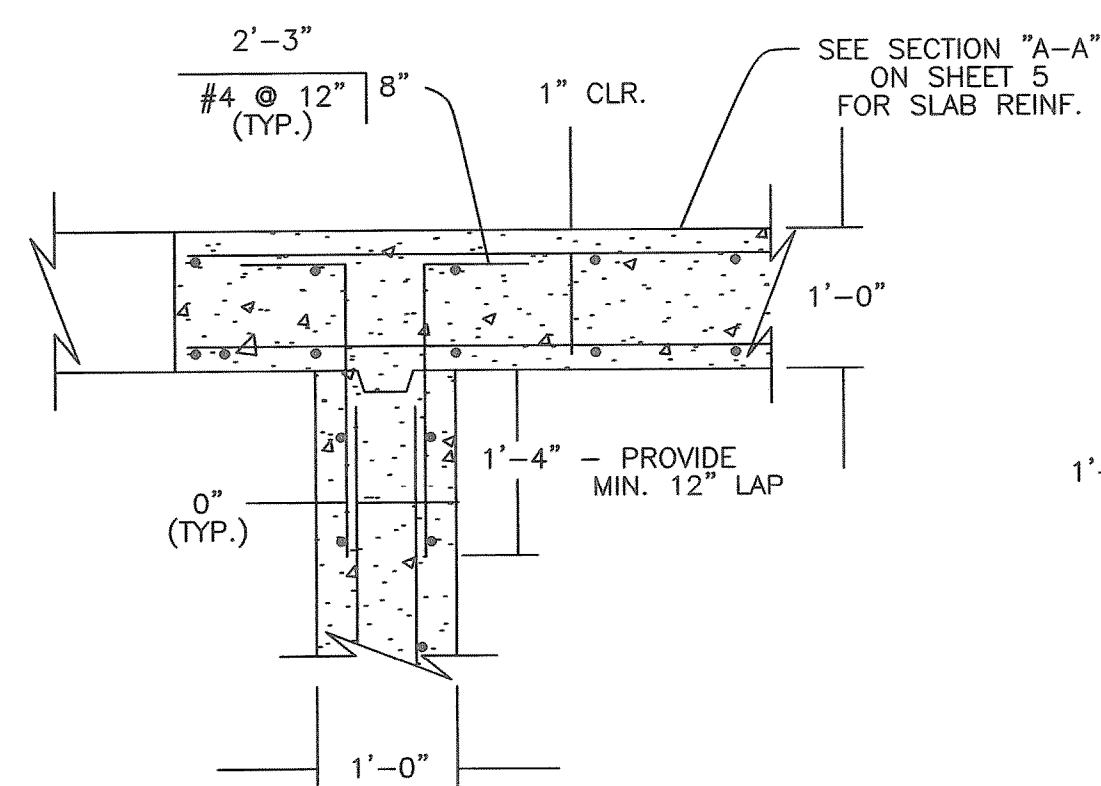
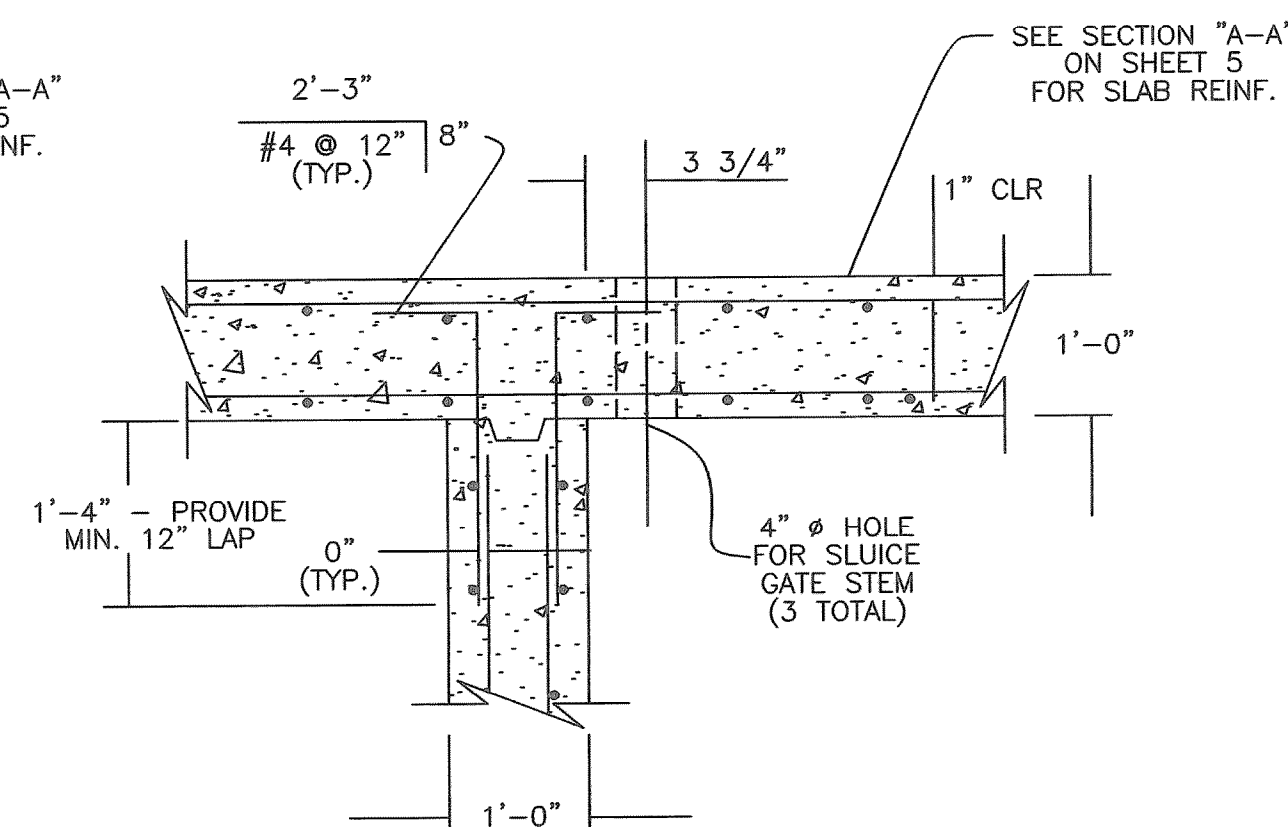


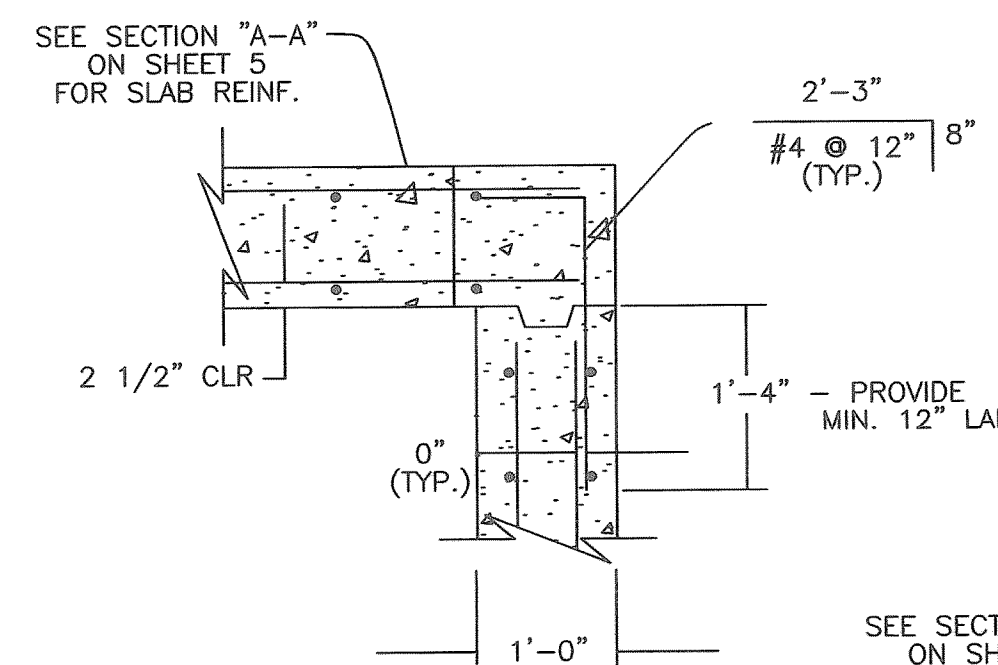
**DETAIL "A"**  
N.T.S.



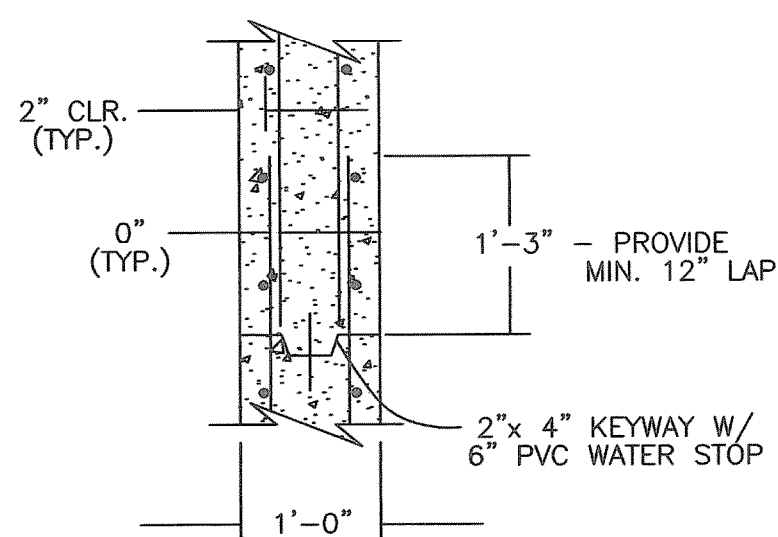
**DETAIL "B"**  
N.T.S.



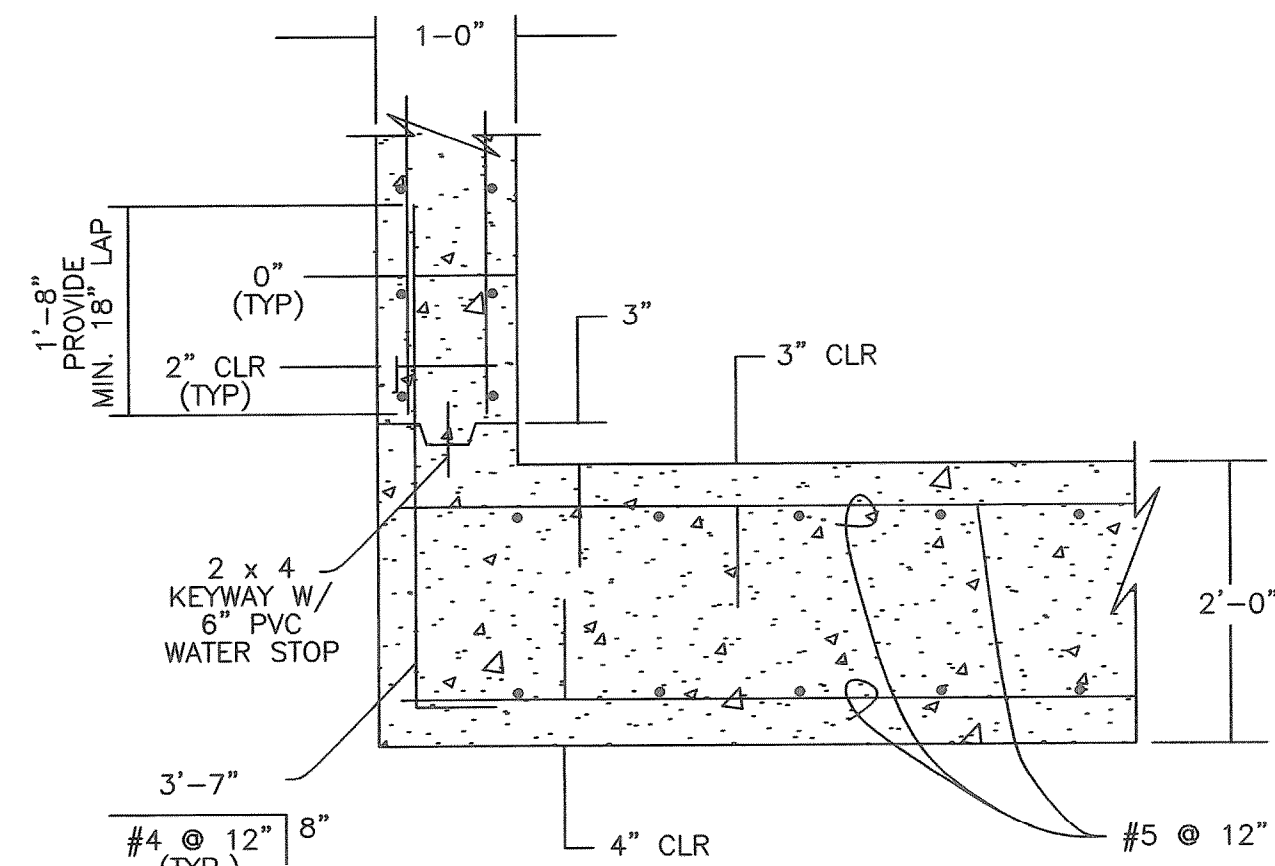
**DETAIL "C"**  
N.T.S.



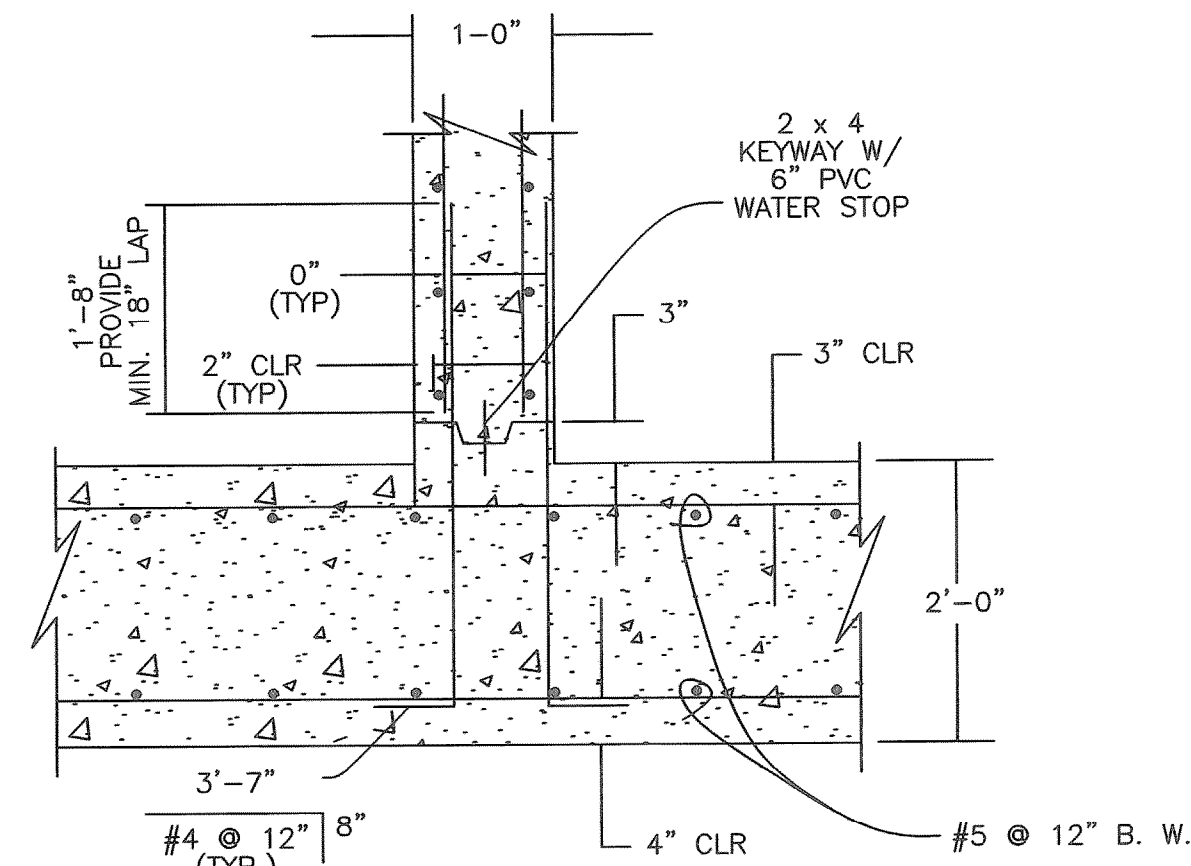
**DETAIL "D"**  
N.T.S.



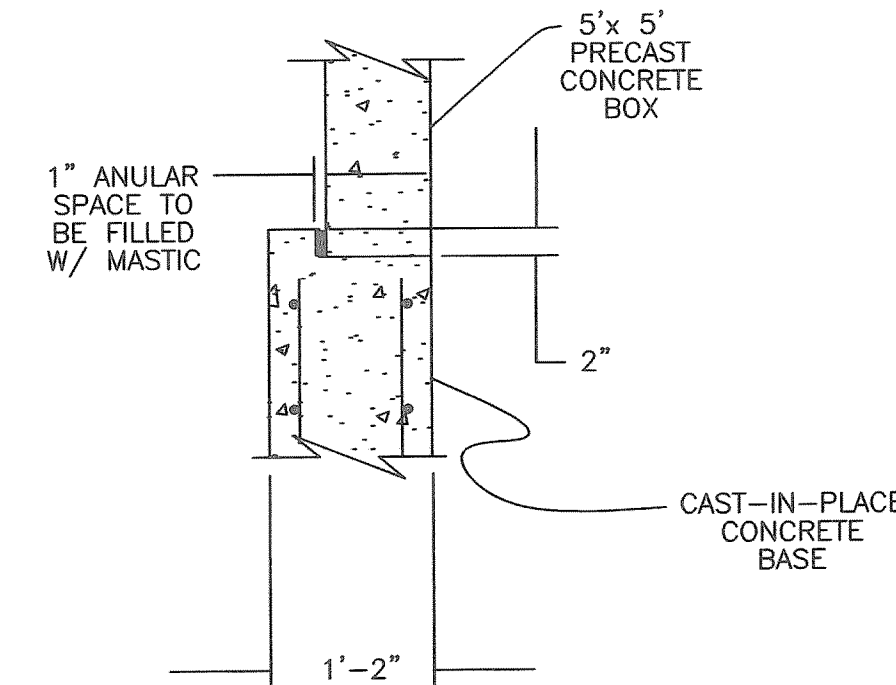
**DETAIL "E"**  
N.T.S.



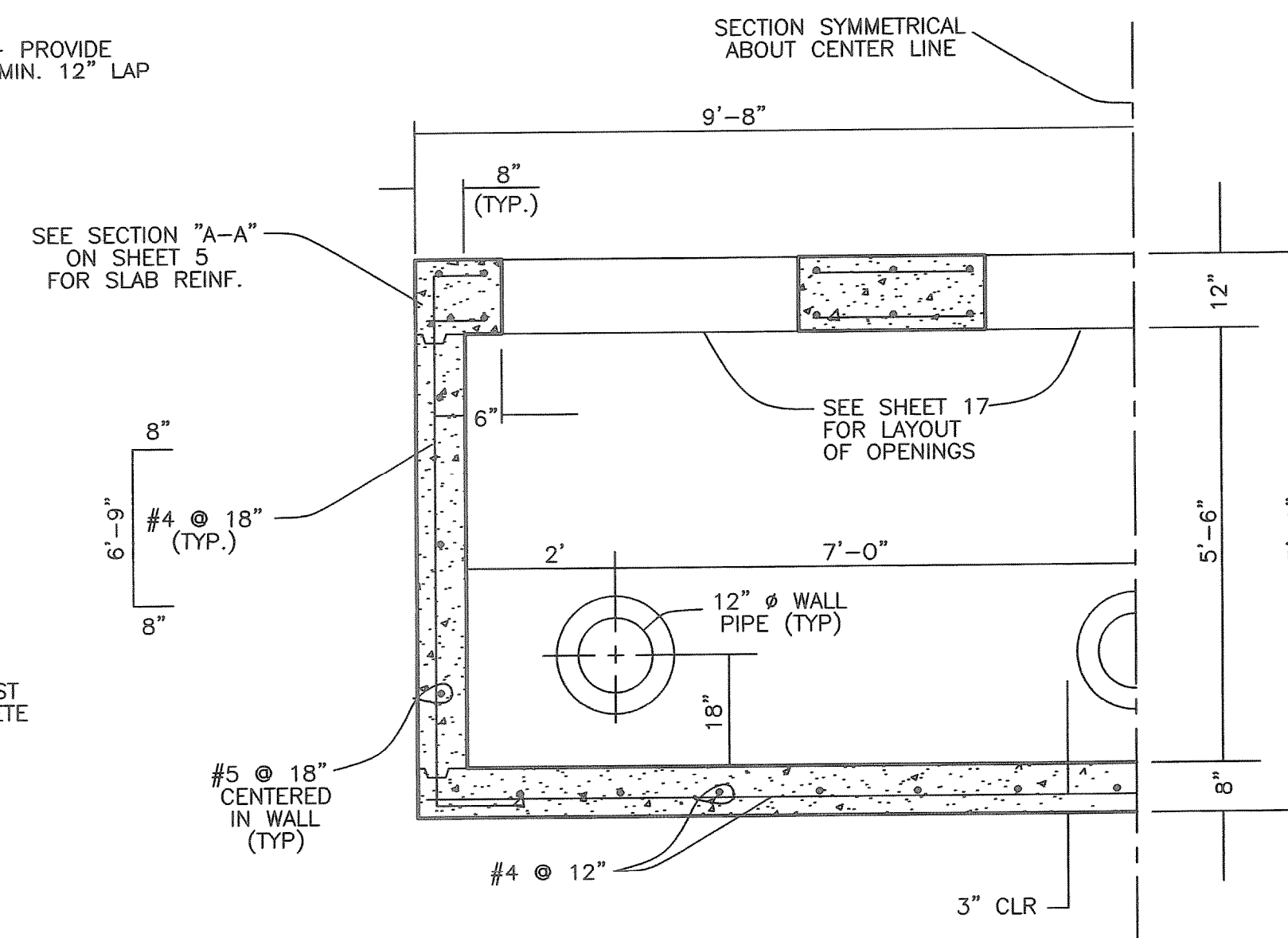
**DETAIL "F"**  
N.T.S.



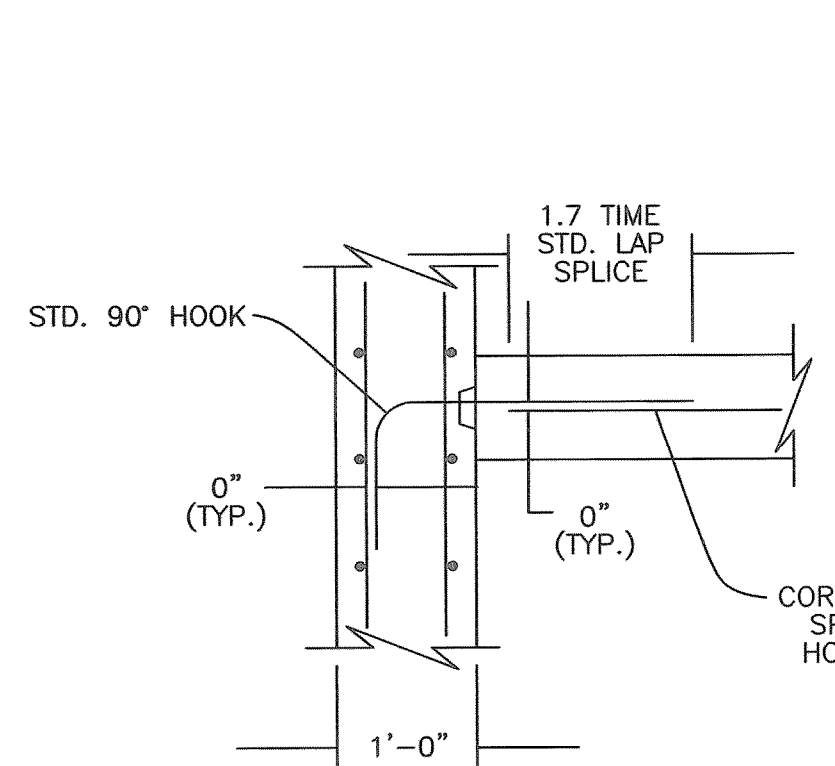
**DETAIL "G"**  
N.T.S.



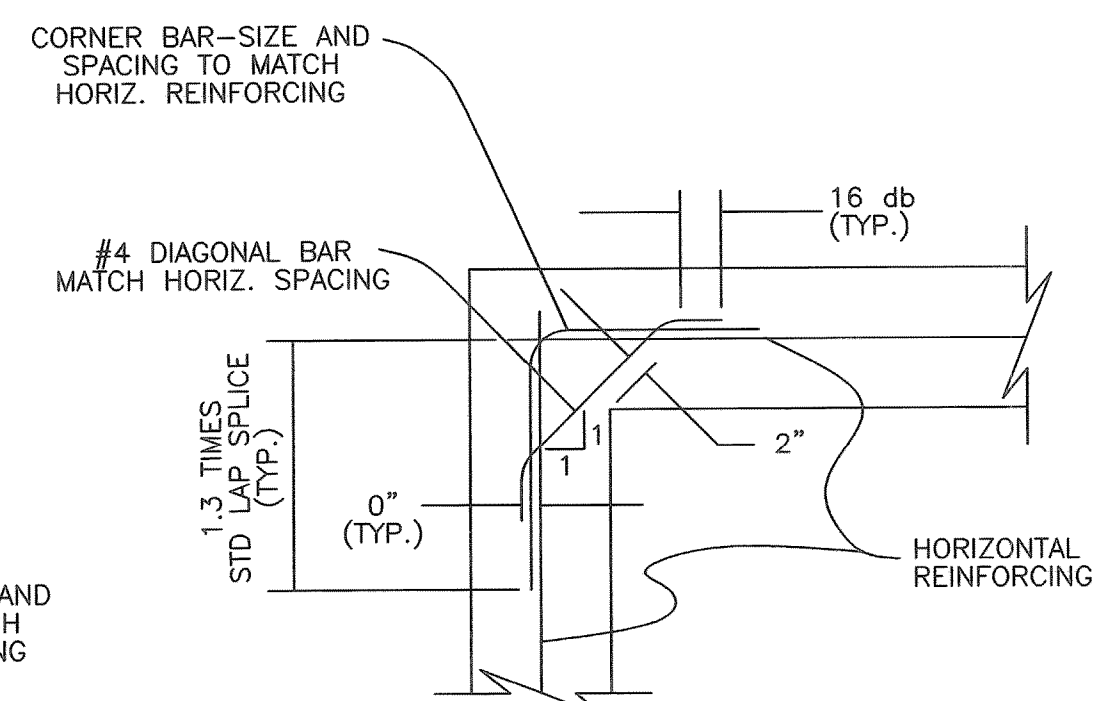
**DETAIL "H"**  
N.T.S.



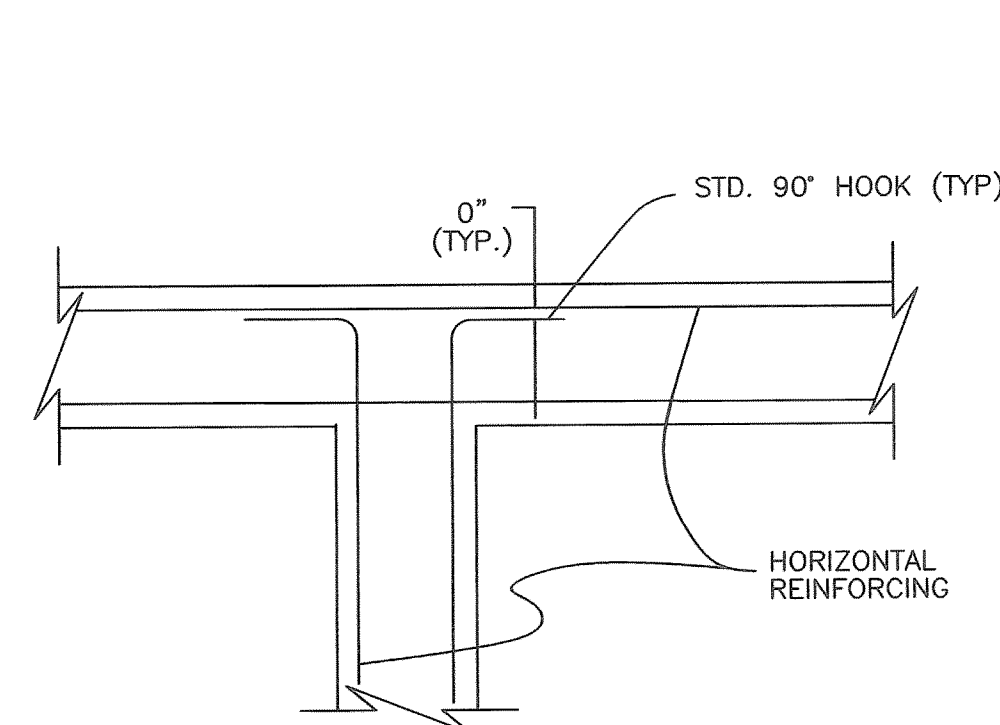
**PARTIAL SECTION C-C**  
N.T.S.



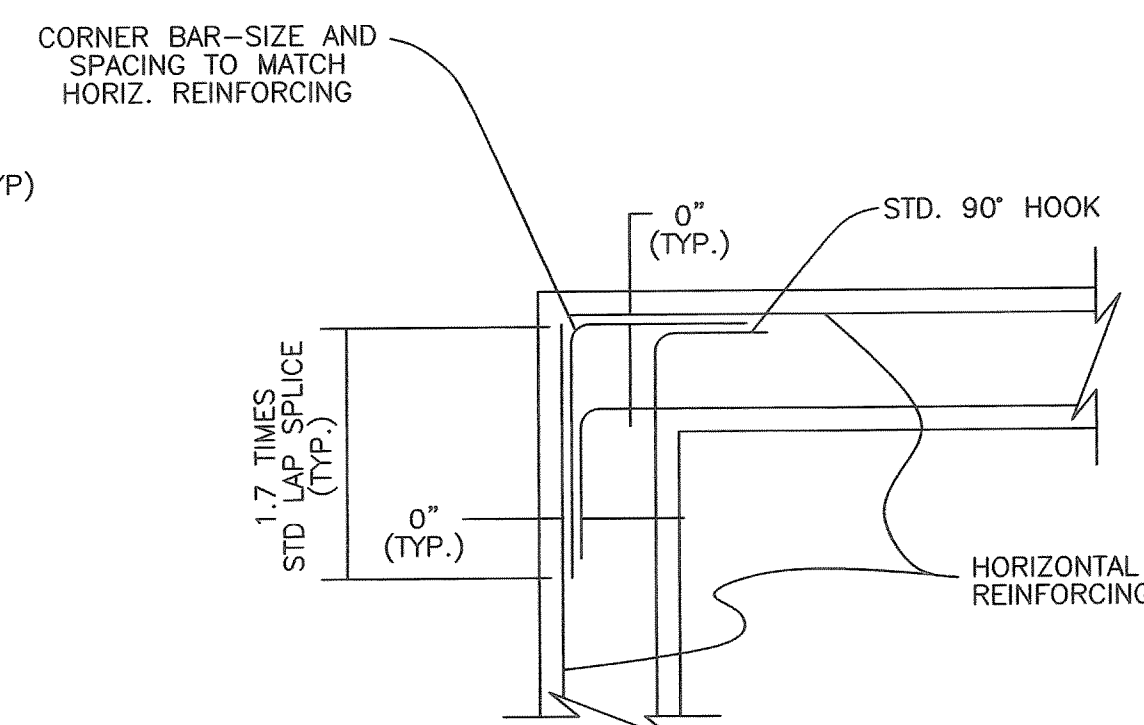
**SINGLE CURTAIN REINFORCING AT INTERSECTION WITH DOUBLE CURTAIN REINFORCED WALL**  
N.T.S.



**SINGLE CURTAIN REINFORCING AT WALL CORNER**  
N.T.S.



**DOUBLE CURTAIN REINFORCING AT INTERSECTION WITH DOUBLE CURTAIN REINFORCED WALL**  
N.T.S.



**DOUBLE CURTAIN REINFORCING AT WALL CORNER**  
N.T.S.

**TYPICAL CORNER DETAILS**

NOTE: VERTICAL REINFORCEMENT NOT SHOWN FOR CLARITY.



THE SEAL APPEARING ON THIS DOCUMENT WAS AUTHORIZED BY W.L. DOUPHRATE II TEXAS P.E. NO. 60102 ON

**DOUPHRATE & ASSOCIATES, INC.**  
ENGINEERING - PROJECT MANAGEMENT - SURVEYING  
2231 RIDGE RD., # 200 ROCKWALL, TEXAS 75087  
PHONE: (972)771-9004 FAX: (972)771-9005

**STRUCTURAL DETAILS**  
**PROMENADE HARBOR**  
**LIFT STATION**  
ROCKWALL, ROCKWALL COUNTY, TEXAS

|                |          |
|----------------|----------|
| REVISION       |          |
| W.L.D. CHECKED |          |
| KEB. DRAWN     |          |
| DATE           | 10/03/01 |
| PROJECT        | 0050-LB4 |
| OF             |          |