

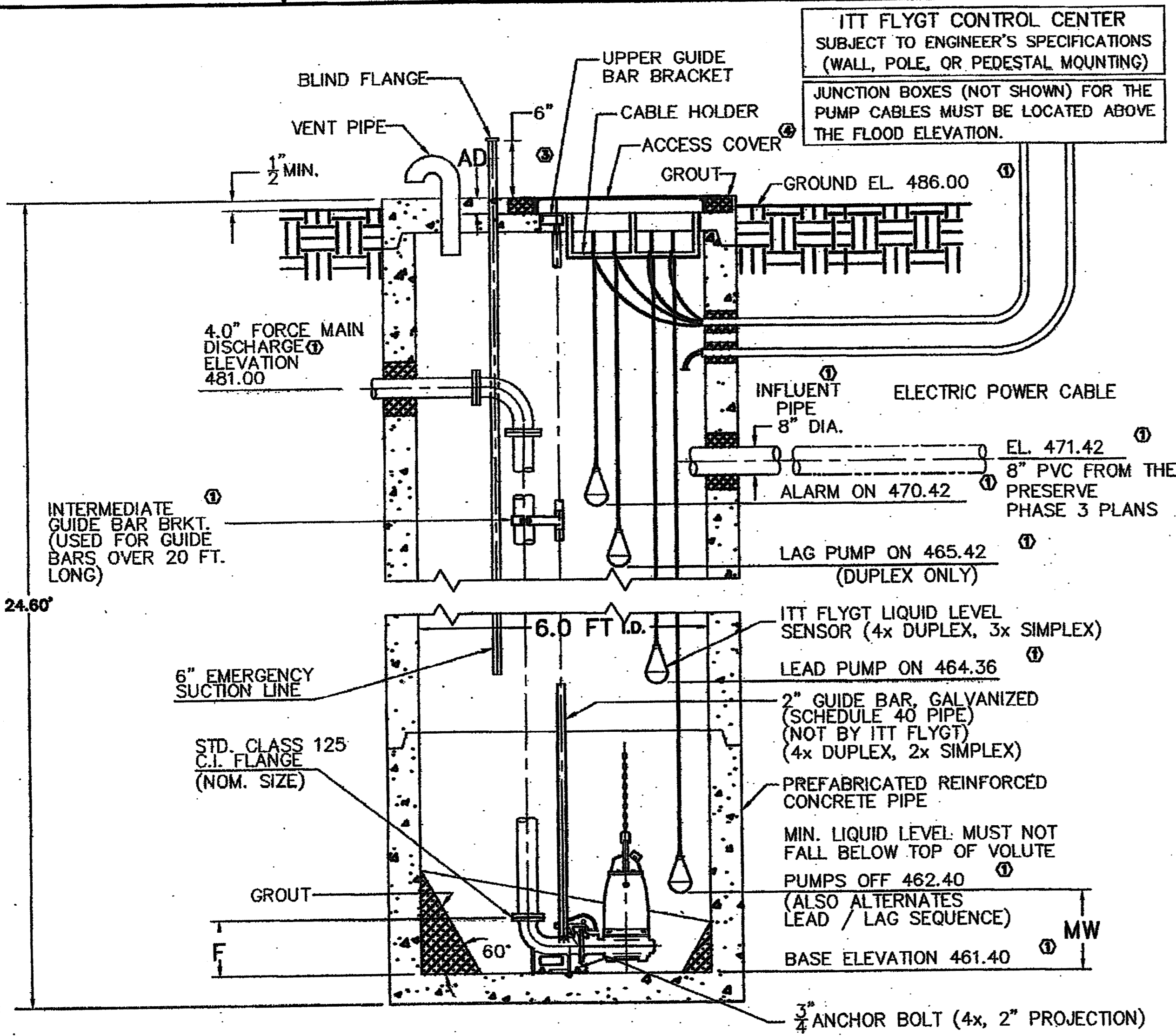
**NP-3153**

e-Catalog



**Lift Station Dimensions**

Issued: 12/04 Supersedes: 1/01



**NOTES:**

- INDICATES INFORMATION TO BE DETERMINED BY OTHERS.
- LOCATE ANCHOR BOLTS USING CLEAR INSIDE EDGE OF ACCESS FRAME AND CENTER LINE OF PUMP AS REF. POINT. BOLT LOCATIONS MUST BE HELD TO MAINTAIN EXACT POSITION OF PUMP RELATIVE TO ACCESS FRAME.
- GROUT OPENING FOR ACCESS FRAME.
- COVER SHOWN IS FOR STANDARD DUTY ANGLE FRAME. FOR ADDITIONAL DIMENSIONS ON STANDARD DUTY TROUGH FRAME, HEAVY DUTY ANGLE FRAME AND HEAVY DUTY TROUGH FRAME, CONSULT ITT FLYGT CORP. ENGINEERING DEPT.
- CONFIGURATION AND DIMS. SHOWN ARE SUGGESTED REQUIREMENTS ONLY. ALL DETAILS, INCLUDING SIZING OF PIT, TYPE, LOCATION AND ARRANGEMENT OF VALVES AND PIPING, ETC. ARE TO BE SPECIFIED BY THE CONSULTING ENGINEER AND ARE SUBJECT TO HIS APPROVAL.
- FOR OUTLINE DIMENSIONS OF PUMP, SEE DRAWING 14-68 15 36.
- ITT FLYGT MIX FLUSH VALVE DIMENSIONS, SEE DRAWING 14-68 10 33.

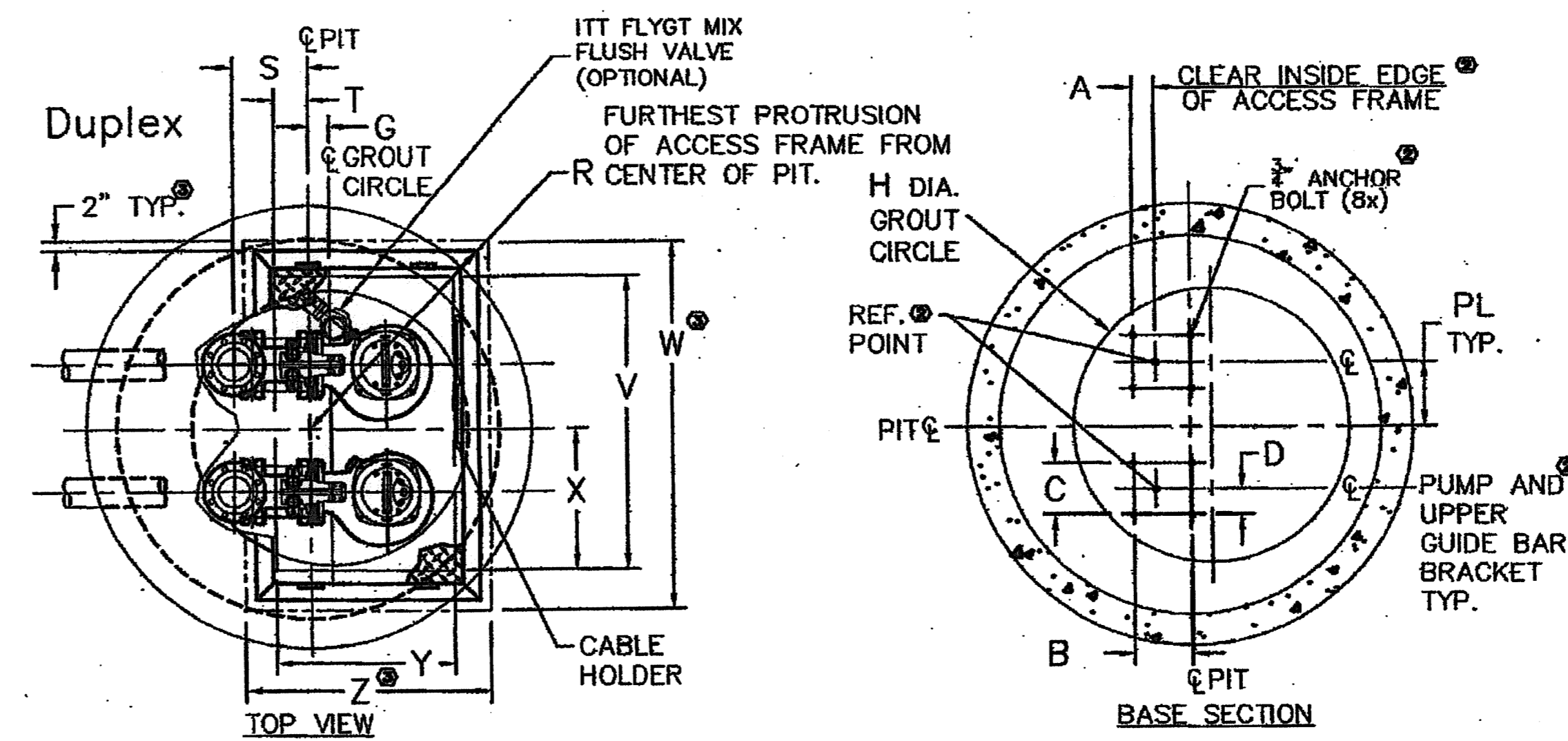
**NP-3153**

e-Catalog



**Lift Station Dimensions**

Issued: 12/04 Supersedes: 1/01



ALL DIMENSIONS ARE IN INCHES

MODEL	NOM. SIZE	VERSION	STATION													COVER							
			A	B	C	D	F	G	H	R	S	T	U	V	W	PL	SIZE	V	W	X	Y	Z	AD
NP	3"	SHT	24	9	8	4	15	2	46	40	19	13	72	9	11	11	FLE-8 36 x 48	46	59	19	33	47	4
*NP	4"	SH	24	9	8	4	15	2	46	39	18	12	72	11	12	11	FLE-8 36 x 48	46	59	18	33	47	4
NP	4"	HT	24	9	8	4	15	2	50	43	15	9	72	11	11	11	FLED-13 36 x 60	57	71	28	32	47	4
NP	6"	MT	48	11	10	5	17	4	52	46	14	6	72	14	13	12	FLED-13 36 x 60	57	71	28	32	47	4
NP	8"	LT	54	11	10	5	17	3	54	48	14	5	72	19	15	13	FLED-17 48 x 72	69	83	28	44	59	4
NP	10"	LT	144	12	10	5	17	0	72	66	2	11	96	36	23	18	FLED-17 48 x 72	69	83	28	44	59	4

**NOTE:**  
CONTRACTOR TO PURCHASE BASE ELBOW ANCHORS DIRECTLY FROM ITT FLYGT. BASE ELBOW ANCHORS SHALL BE LOCATED & INSTALLED IN ACCORDANCE WITH RECOMMENDATIONS FROM ITT FLYGT.

**ADDITIONAL NOTES:**

- ALL WET WELL CONCRETE JOINTS SHOULD BE LOCATED ABOVE THE OPERATING LEVELS (WET ZONE) IN THE WET WELL. THE BASE SHALL BE INTEGRALLY CAST WITH THE FIRST SECTION OF PIPE. ALL JOINTS NEED TO BE SEALED WITH WATER-STOP SEALS AND THE INTERIOR AND EXTERIOR OF EACH JOINT NEED TO BE SEALED WITH NON-SHRINK GROUT. JOINTS IN THE VALVE VAULT SHALL BE TREATED SIMILAR TO THE WET WELL.
- ALL EXPOSED CONCRETE AND GROUT SURFACES INSIDE THE WET WELL NEED TO BE COATED WITH A PROTECTIVE COATING SYSTEM TO PREVENT DEGRADATION OF THE CONCRETE AND GROUT SURFACES BY SEWER GASES. ALL SURFACES SHALL BE ABRASIVE BLASTED TO SSPC-SP13/NACE 6 PRIOR TO APPLICATION OF THE COATING. THE COATING SYSTEM WILL CONSIST OF A 1/16" THICK PRIME COAT OF TNEC 218 MORTARCLAD, 125 MIL DFT OF TNEC 434 PERMASHIELD AND A 16 MIL DFT TOPCOAT OF TNEC 435 PERMAGLAZE OR APPROVED EQUAL COATING SHALL BE APPLIED IN THE FIELD AFTER INSTALLATION OF THESE STRUCTURES.

APPROVED FOR CONSTRUCTION  
MAR 2 0 2006

City of Rockwall Engineering Dept.  
City Engineer

REV.	DESCRIPTION	BY	DATE	APVD.	DATE
B	ADD SHT & SH VERSIONS; 27 28, 11-1/2 14, 33 34	GJ	12/04	RD	12/04

**FLYGT**

ITT FLYGT CORPORATION  
TRUMBULL, CONNECTICUT 06611

DRAWN	DATE	BY	CHKR.	DATE	BY	PROJ. ENGR.	DATE	APVD.	DATE
	1/3/01	GJ		3/13/01	KD		3/29/01	DL	3/29/01

**NP-3153 LIFT STATION**

REVISION  
MAY 3 0 2007  
CITY OF ROCKWALL ENGINEERING DEPT.

REV.	DESCRIPTION
B	14-68 01 03/05 SCALE NONE NUMBER 14-68 16 35

**Winkelmann & Associates, Inc.**  
CONSULTING CIVIL ENGINEERS & SURVEYORS  
1700 W. HUNTER ROAD, SUITE 101  
DALLAS, TEXAS 75244  
(972) 487-7990  
FAX (972) 487-7990

THESE CONSTRUCTION PLANS WERE PREPARED UNDER THE RESPONSIBLE SUPERVISION OF M.D. NAIM UDDIN KHAN, REGISTERED PROFESSIONAL ENGINEER NO. 87776

THE SEAL APPEARING ON THIS DOCUMENT WAS AUTHORIZED BY M.D. NAIM UDDIN KHAN, # 87776

BLAND ENERGY INC.  
A. HANNA SURVEY, ABSTRACT NO. 98  
J.H.B. JONES SURVEY, ABSTRACT NO. 124  
CITY OF ROCKWALL, ROCKWALL COUNTY, TEXAS

8160 N. CENTRAL EXPRESSWAY, SUITE 400  
DALLAS, TEXAS 75208  
214-355-0081

**THE PRESERVE LIFT STATION  
DETAILS  
THE PRESERVE PHASE-3**

Scale: 1"=5'  
Designed By: MK  
Drawn By: MK  
Checked By: FEM  
File: 1406023LIFT5.dwg View:  
Project No.: 40902.01

DATE: 03/22/06

SHEET 35 OF 42