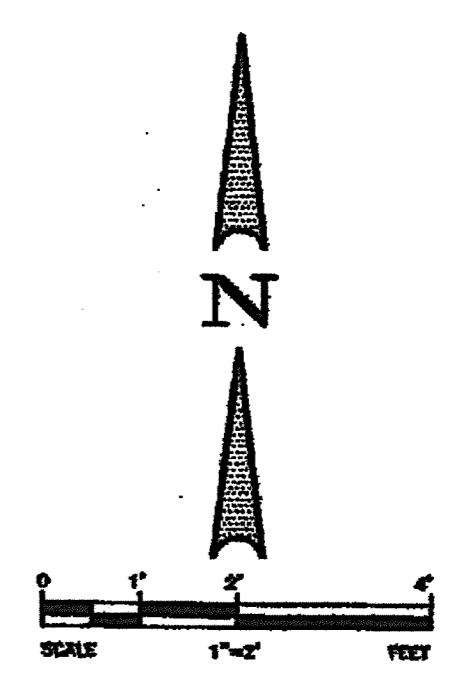
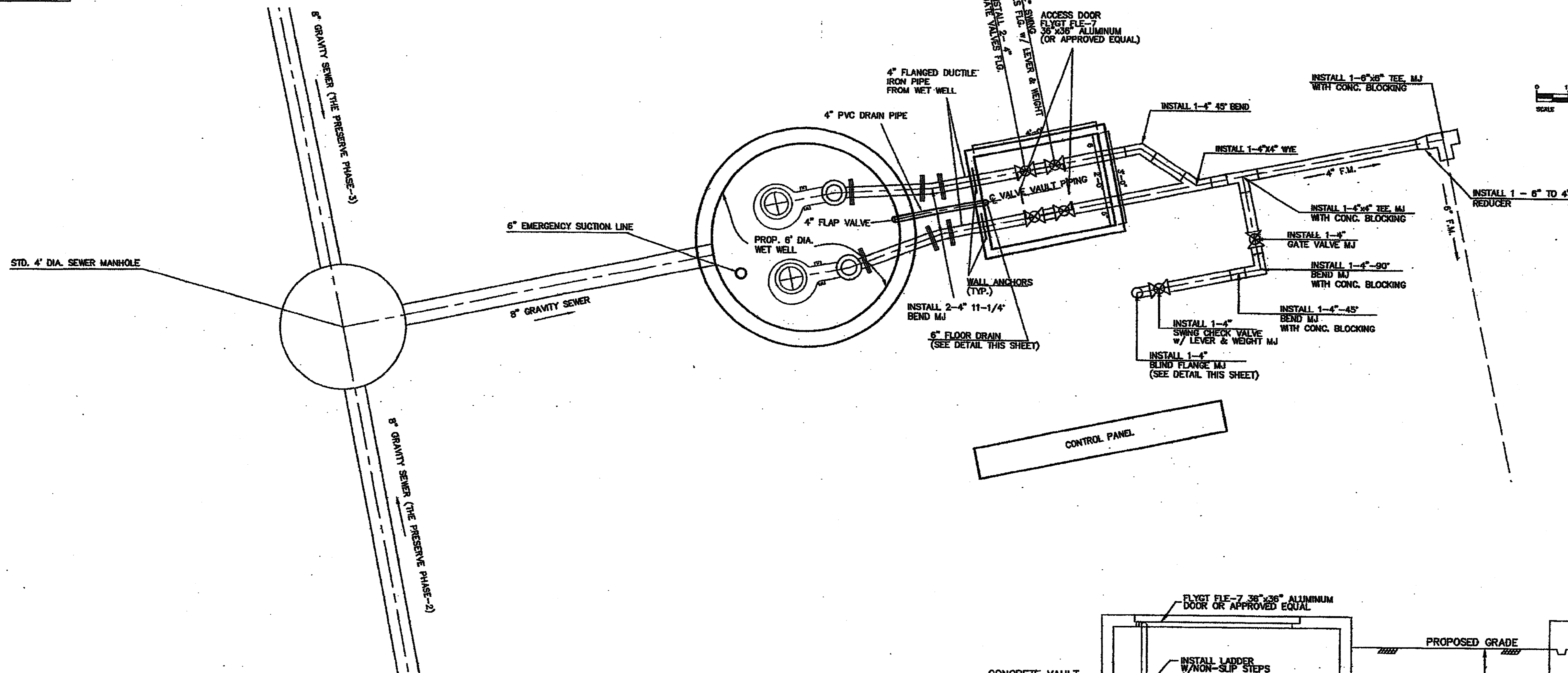


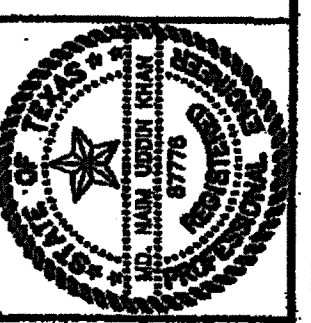
BENCHMARK:
CITY OF ROCKWALL CONTROL MONUMENT #R010 @ OF
N. LAKESHORE DRIVE NORTH OF N. ALAMO IN MEDIAN
ELEV. 524.79 (NAVD88)

BENCHMARK:
CITY OF ROCKWALL CONTROL MONUMENT #R011 @ OF
N. LAKESHORE DR. NORTH OF N. HAVEN HILL CT. IN MEDIAN
ELEV. 518.83 (NAVD88)



NO.	DATE	REVISION	APPROV.

Winkelmann & Associates, Inc.
CONSULTING CIVIL ENGINEERS & SURVEYORS
8160 N. CENTRAL EXPRESSWAY, SUITE 400
DALLAS, TEXAS 75208
(972) 988-0061



THESE CONSTRUCTION PLANS WERE PREPARED UNDER THE RESPONSIBLE SUPERVISION OF J.H.B. JONES, A PROFESSIONAL REGISTERED ENGINEER, LICENSE NO. 87776, STATE OF TEXAS.

DATE: 3/15/06
BY: J.H.B. Jones

A. HANNA SURVEY, ABSTRACT NO. 88
J.H.B. JONES SURVEY, ABSTRACT NO. 124
CITY OF ROCKWALL, ROCKWALL COUNTY, TEXAS

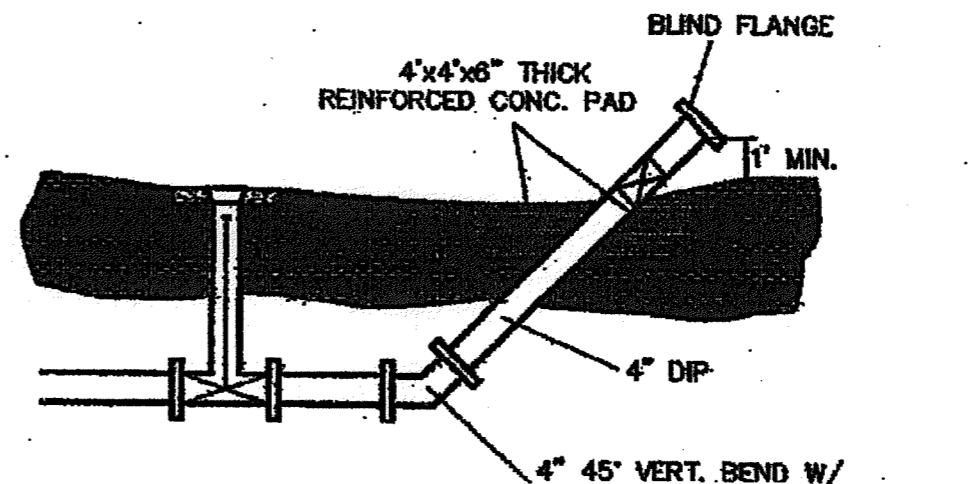
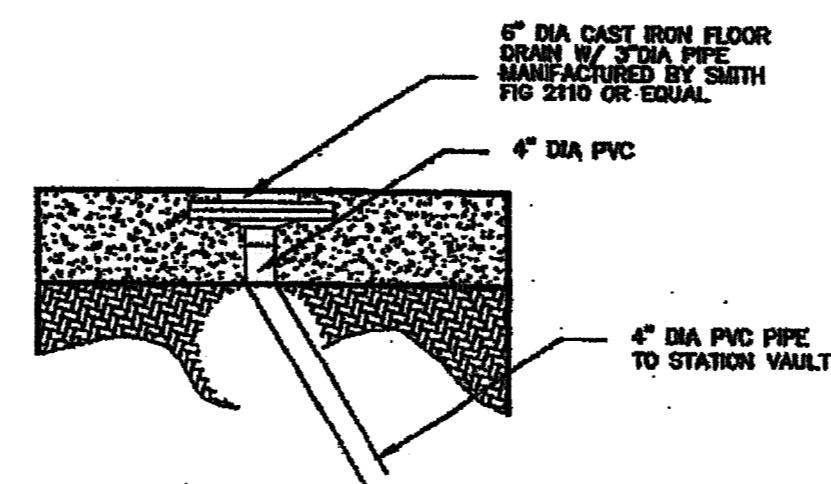
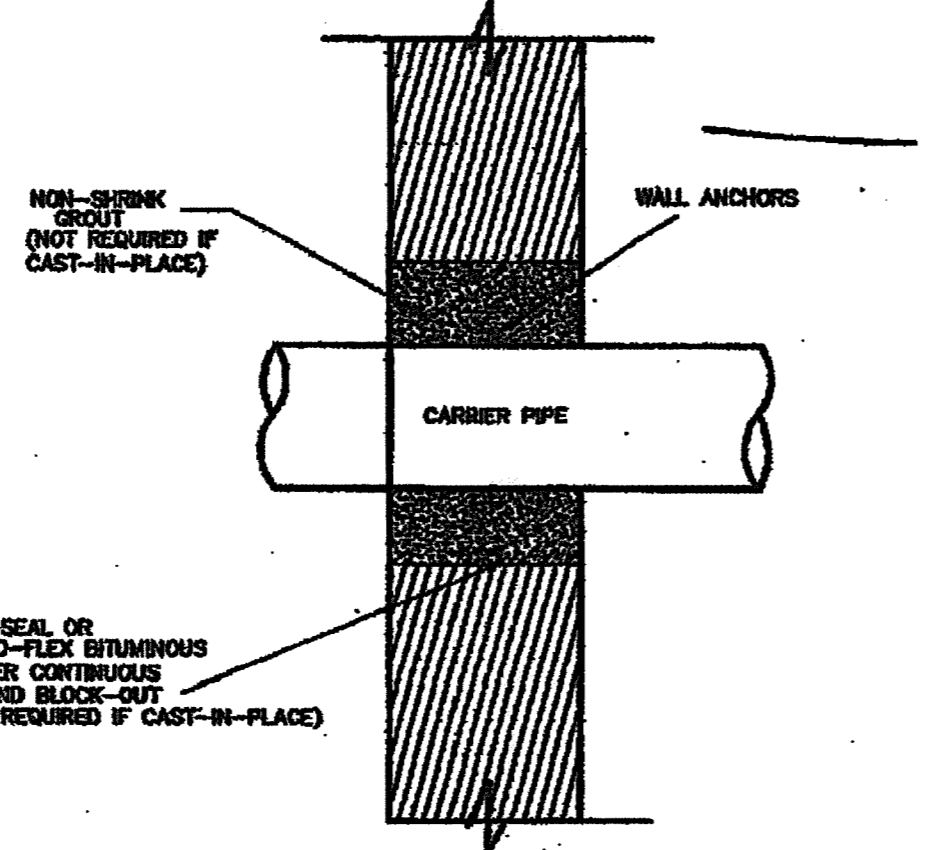
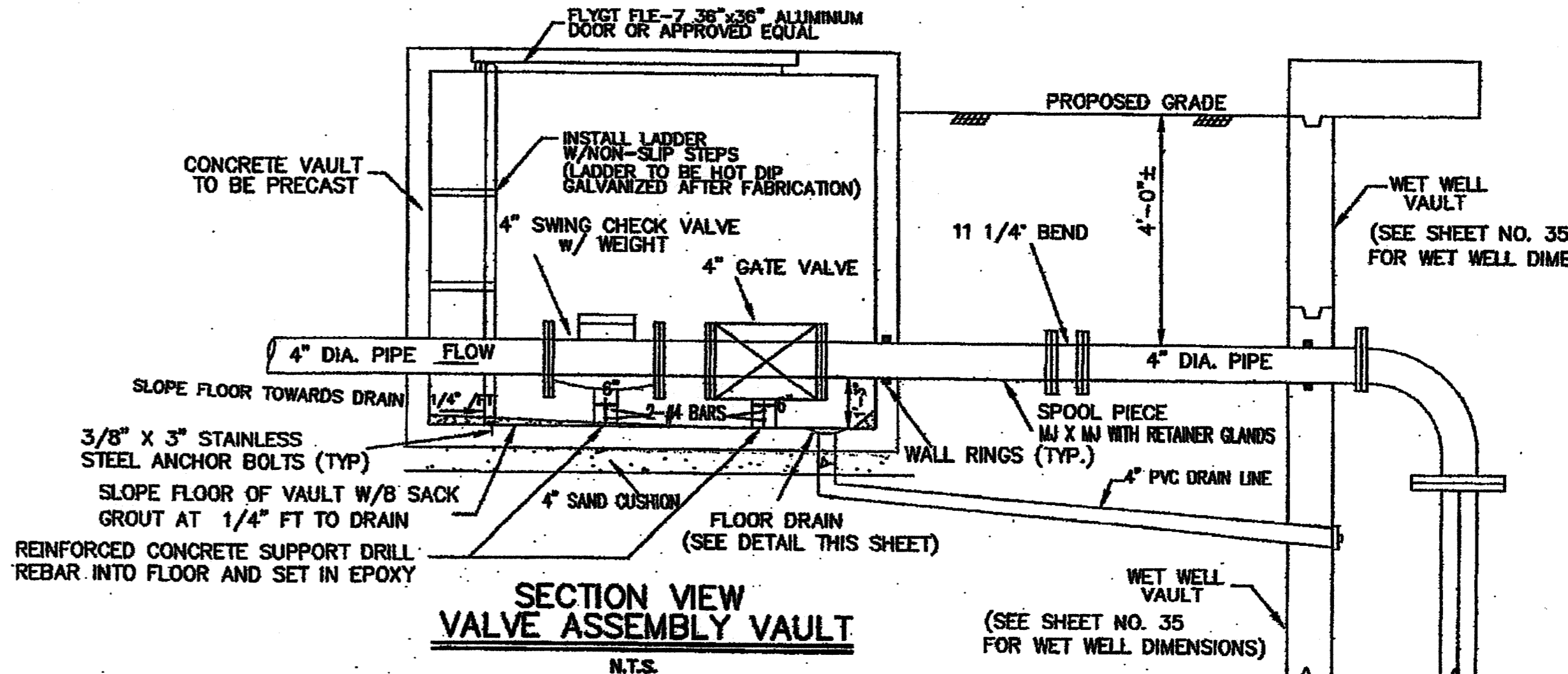
ELAND ENERGY INC.
8160 N. CENTRAL EXPRESSWAY, SUITE 400
DALLAS, TEXAS 75208
214-988-0061

GENERAL NOTES

- ALL PIPE AND FITTINGS TO BE DUCTILE IRON CLASS 52 UNLESS OTHERWISE NOTED.
- THE CONTRACTOR SHALL NOTIFY T.U. ELECTRIC AT LEAST ONE WEEK PRIOR TO BEGINNING CONSTRUCTION FOR TEMPORARY/PERMANENT ELECTRICAL SERVICE.
- ALL EXCESS EXCAVATION AND SPOIL MATERIAL SHALL BE DISPOSED OF ON-SITE BY THE CONTRACTOR.
- IT IS THE CONTRACTOR'S RESPONSIBILITY TO MAINTAIN NEAT AND ACCURATE PLANS OF RECORD.
- IT IS THE CONTRACTOR'S RESPONSIBILITY TO OBTAIN ALL NECESSARY PERMITS AND APPROVALS BEFORE CONSTRUCTION BEGINS.
- LIFT STATION WET WELL TO UNDERGO A 24 HOUR LEAKAGE TEST (1/4" DROP IN WATER LEVEL ALLOWABLE AFTER 24 HOURS WITH WET WELL FILLED TO THE TOP).
- IF BOTTOM OF EXCAVATION IS SOFT, SPONGY OR OTHERWISE UNSUITABLE FOR THE LIFT
- PAIN SYSTEM FOR ALL INTERIOR & EXTERIOR EXPOSED PIPES AND VALVES:
A. SAND BLAST TO SSPC-SP6 COMMERCIAL BLAST
B. ONE 5 MIL COAT OF POLYAMIDE EPOXY
C. ONE 2 MIL COAT OF ALIPHATIC URETHANE
- ALL MJ FITTINGS TO HAVE RECTANGULAR GLANDS.
- CONTRACTOR TO PROVIDE THRUST BLOCKING AS REQUIRED.

PRECAST STRUCTURES SPECIFICATIONS

- DESIGN LOADINGS ON ALL PRECAST CONCRETE STRUCTURES:
A. UNIFORM VERTICAL LOAD ON SLABS
B. UNIFORM VERTICAL LINE LOAD ON SLABS - 100 PCF
C. EQUIVALENT LATERAL SOIL PRESSURE - 125 PCF
- PRECAST CONCRETE STRUCTURES DESIGN TO BE SEALED BY A PROFESSIONAL ENGINEER.
- ALL CONCRETE FOR PRECAST MEMBERS TO MEET NOTODG SPECIFICATIONS 7.12.
- ALL CONCRETE STRUCTURES EXPOSED CORNERS TO HAVE 3/4" CHAMFER.
- ALL TOP OPENINGS WILL REQUIRE CORNER BARS.



PIPE PENETRATION THRU PRECAST CONCRETE DETAILS
N.T.S.

FLOOR DRAIN DETAIL
N.T.S.

EMERGENCY BY-PASS DETAIL
N.T.S.

APPROVED FOR CONSTRUCTION
MAR 20 2006
City of Rockwall Engineering Dept.
City Engineer: _____

REVISION
MAY 30 2007
CITY OF ROCKWALL ENGINEERING DEPT.

**THE PRESERVE LIFT STATION
VALVE VAULT DETAIL
THE PRESERVE PHASE-3**

Date: 03/23/05
Designed By: MK
Drawn By: MK
Checked By: FEM
File #406023LIFT7.dwg View:
Project No.: 40602.01

SHEET 35B OF 42