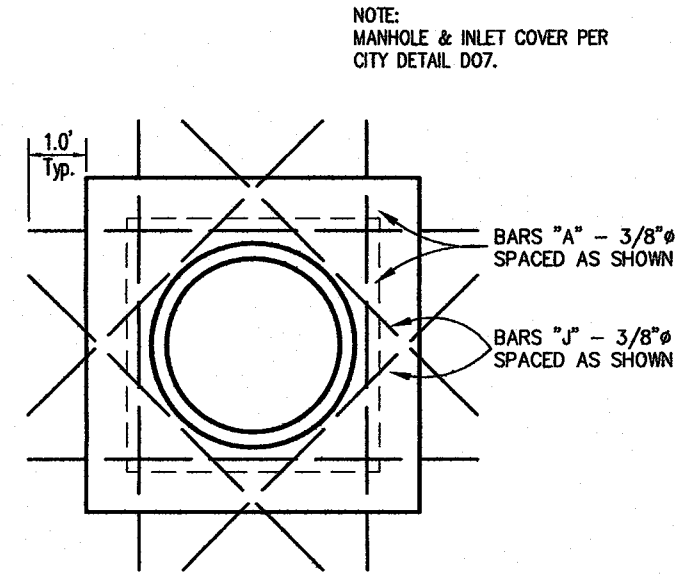
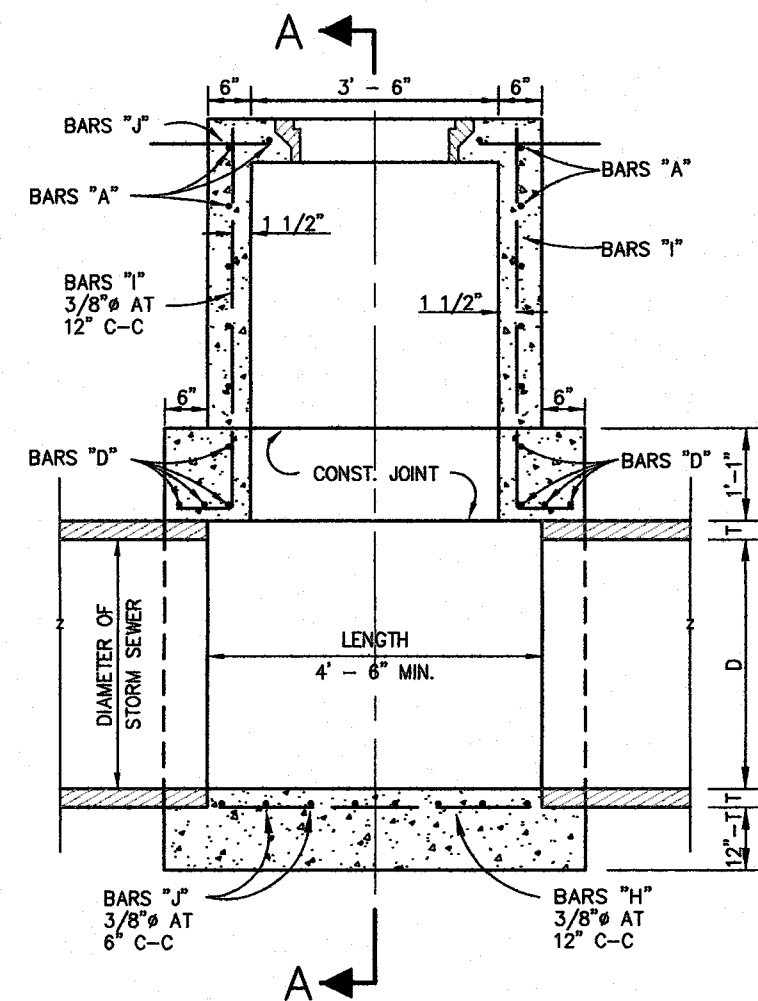


Extend Rebar 1.0' Beyond Top Of Manhole For Connecting To Proposed Pavement



TOP PLAN  
TYPE A & TYPE B  
STORM SEWER MANHOLE

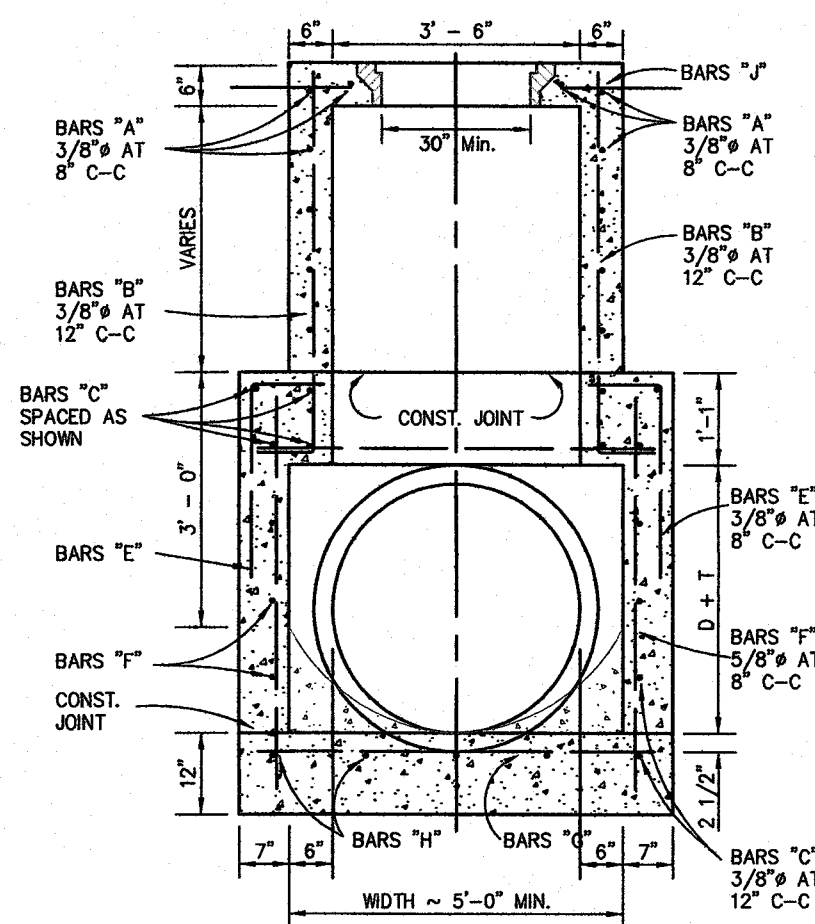
NOTE:  
FRAME AND COVER FOR MANHOLES & INLETS SHALL BE EAST JORDAN IRON WORKS MANHOLE ASSEMBLY CATALOG NO. 2024A & 2024Z, GRAY CAST IRON CONFORMING TO ASTM SPEC. A-48 CL35B.



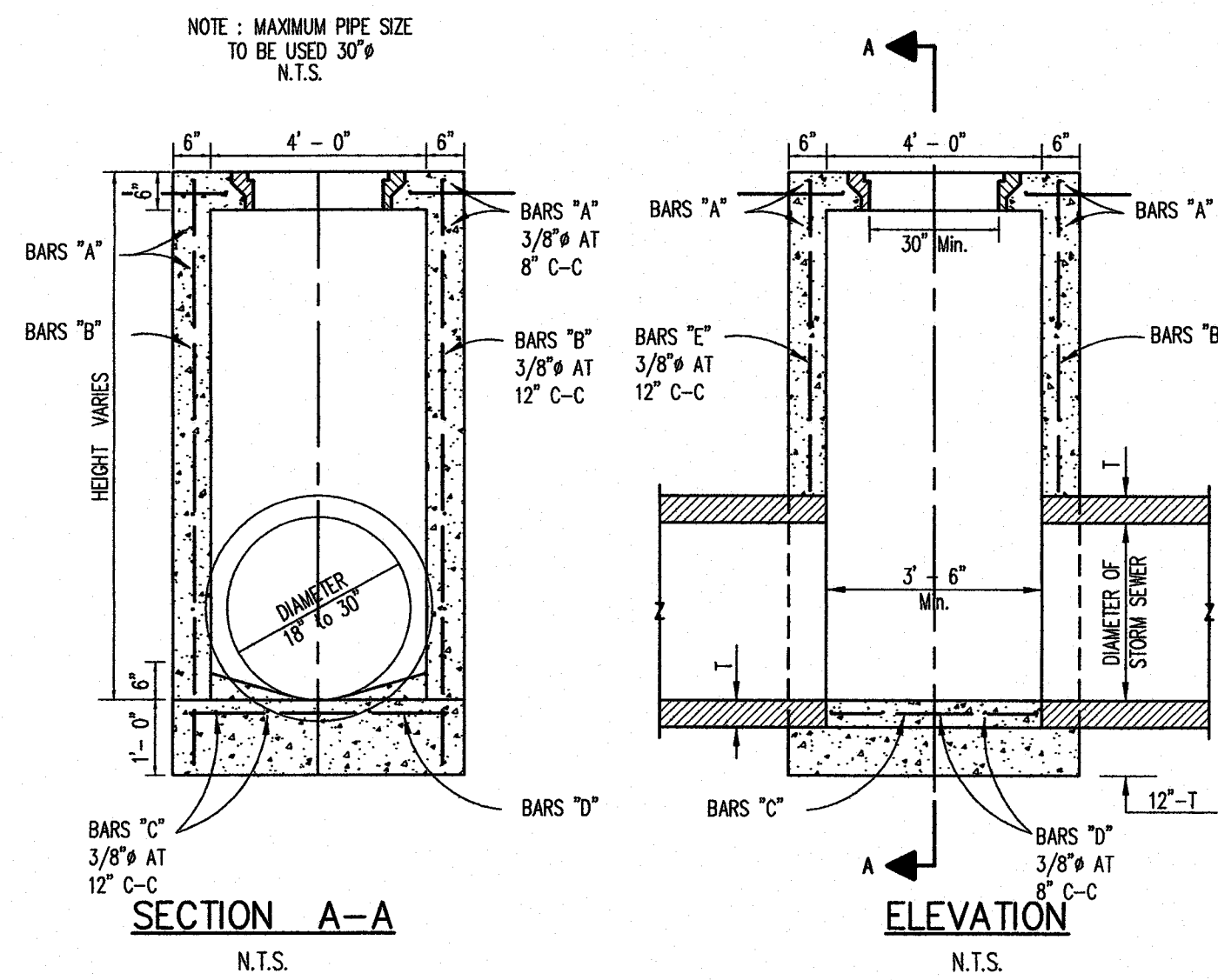
ELEVATION

TYPE B STORM SEWER  
MANHOLE

NOTE:  
All Concrete To Be 4000 psi Compressive Strength Concrete.



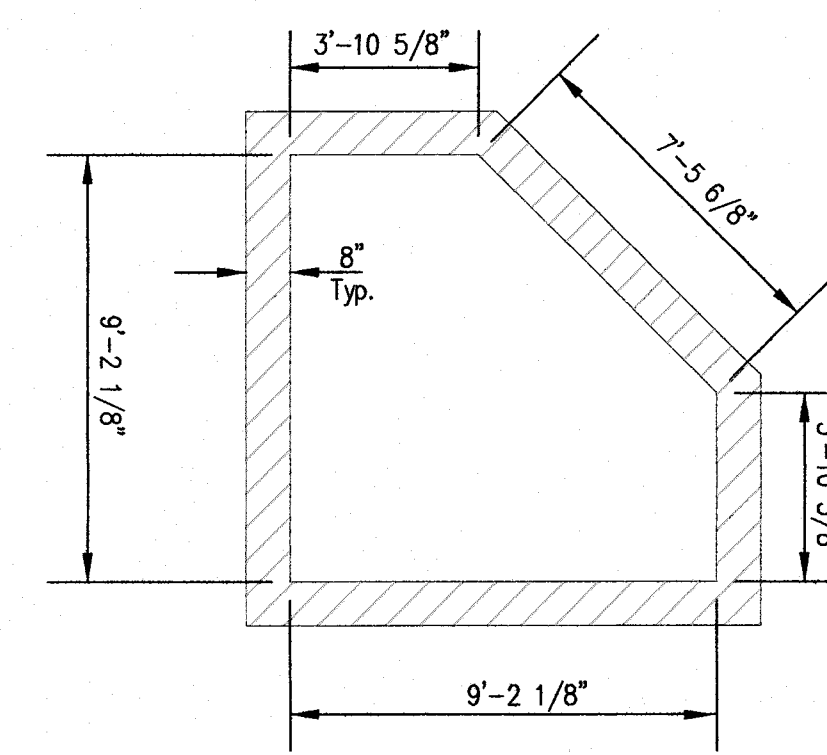
SECTION A-A



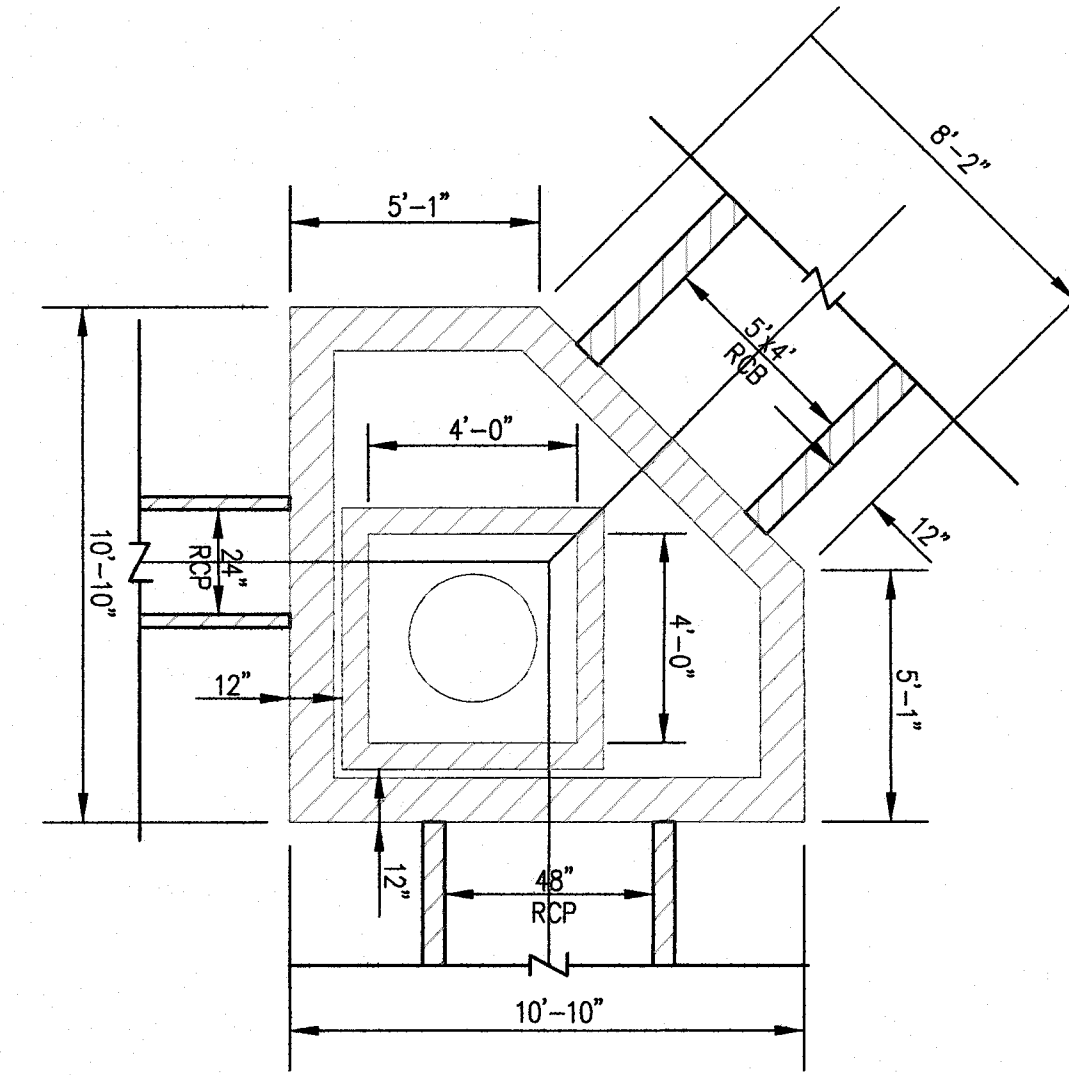
SECTION A-A

ELEVATION

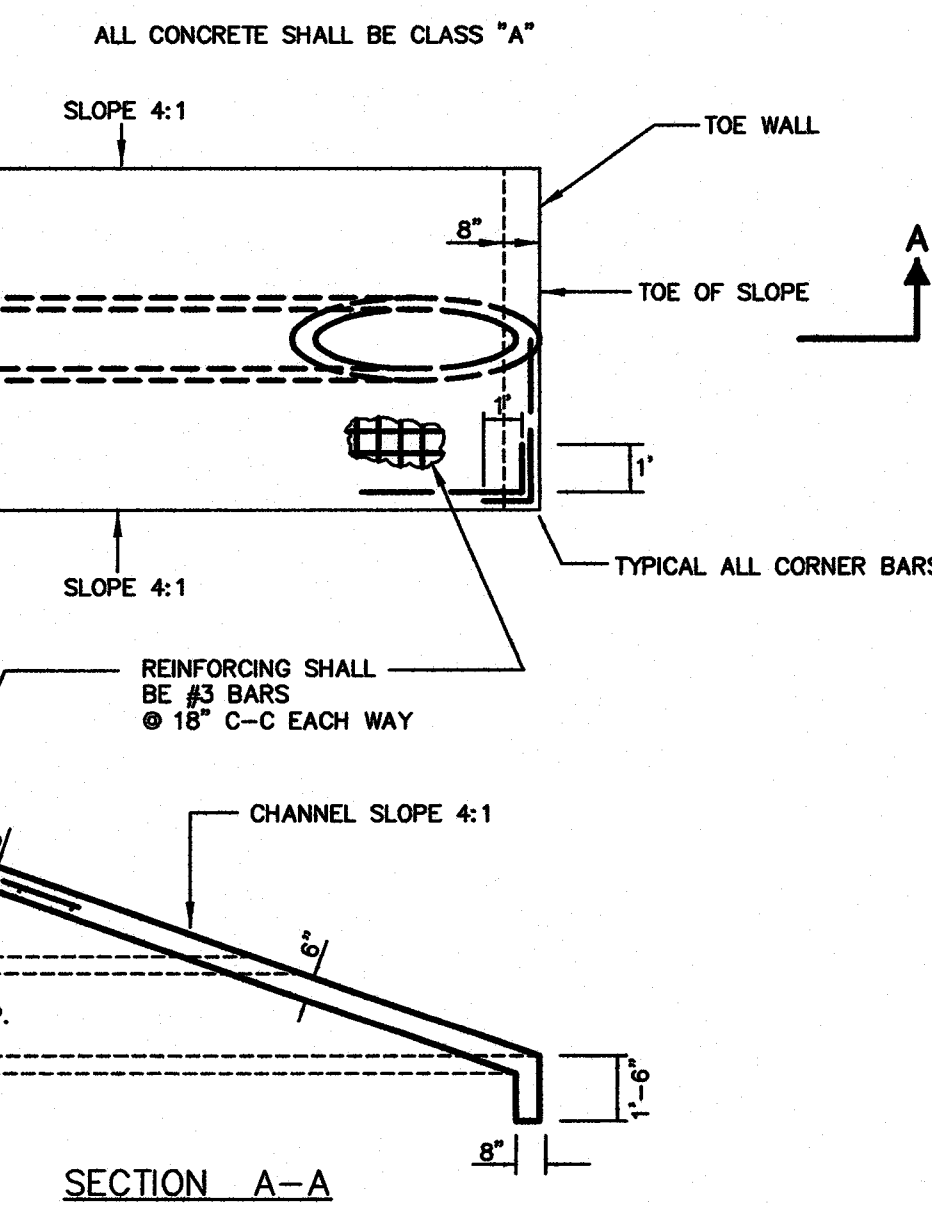
TYPE A STORM SEWER  
MANHOLE DETAIL



MODIFIED JUNCTION BOX PLAN VIEW



N.T.S.

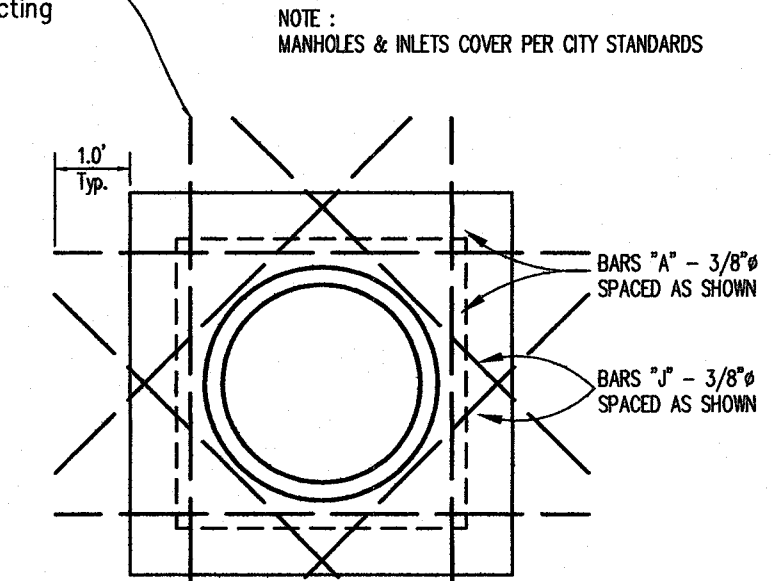


SECTION A-A

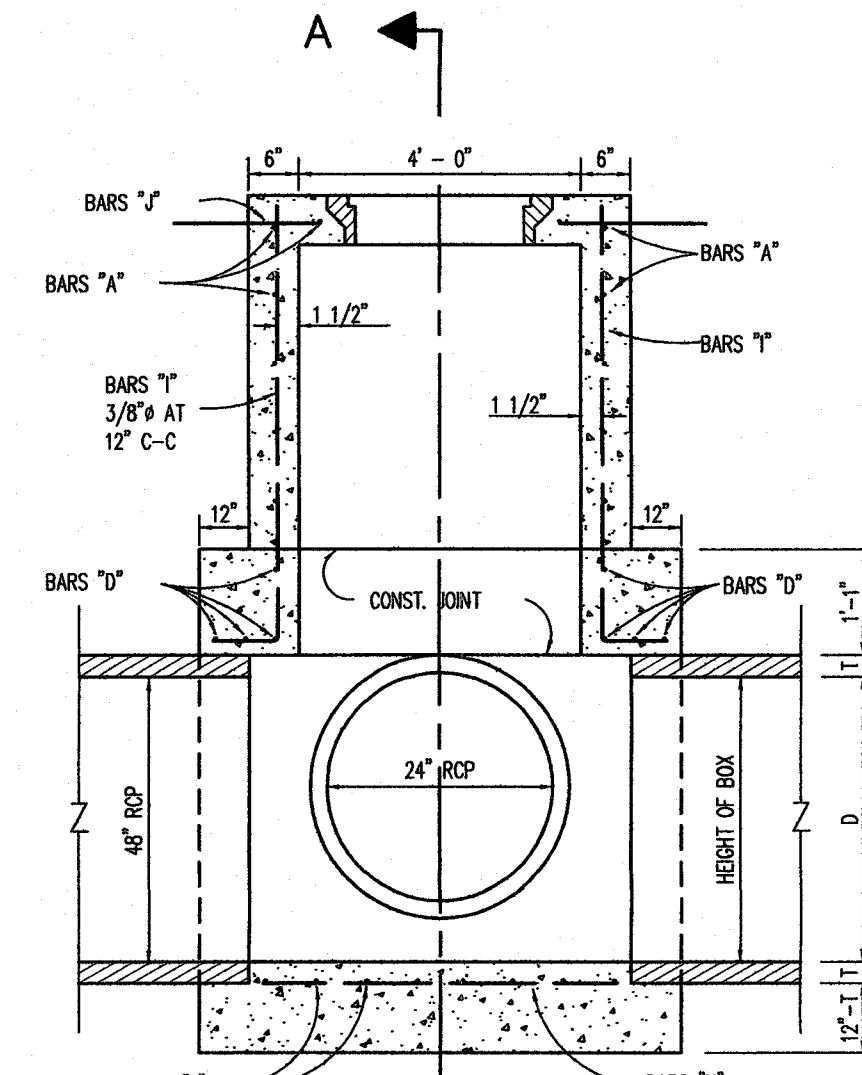
TYPE C HEADWALL

N.T.S.

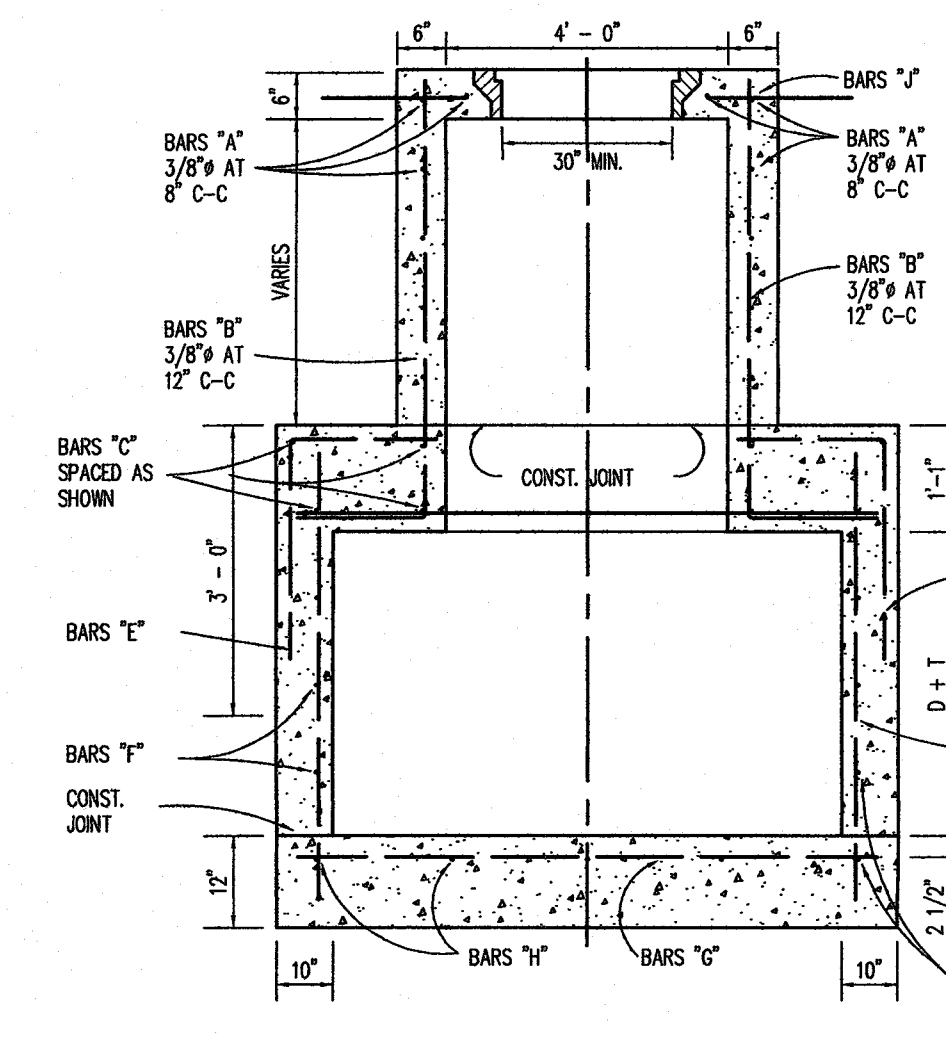
Extend Rebar 1.0' Beyond Top Of Junction Box For Connecting To Proposed Pavement



TOP PLAN  
STORM SEWER MANHOLE



ELEVATION



SECTION A-A

DETAIL FOR MODIFIED  
JUNCTION BOX

AS-BUILT DRAWINGS

THIS DRAWING HAS BEEN REVISED TO CONFORM TO THE CONSTRUCTION RECORDS PROVIDED BY THE CONTRACTOR. ALIGNMENT AND GRADES SHOWN ON THIS DRAWING WERE NOT FIELD VERIFIED BY THE ENGINEER.

Greg T. Helsel, P.E.

11/29/16

DATE

Issue Dates:

Date

Revisions

Scale: N/A

Drawn By: DLM

Checked By: GTH

Sheet 62

of 62

SEI No. 13-141