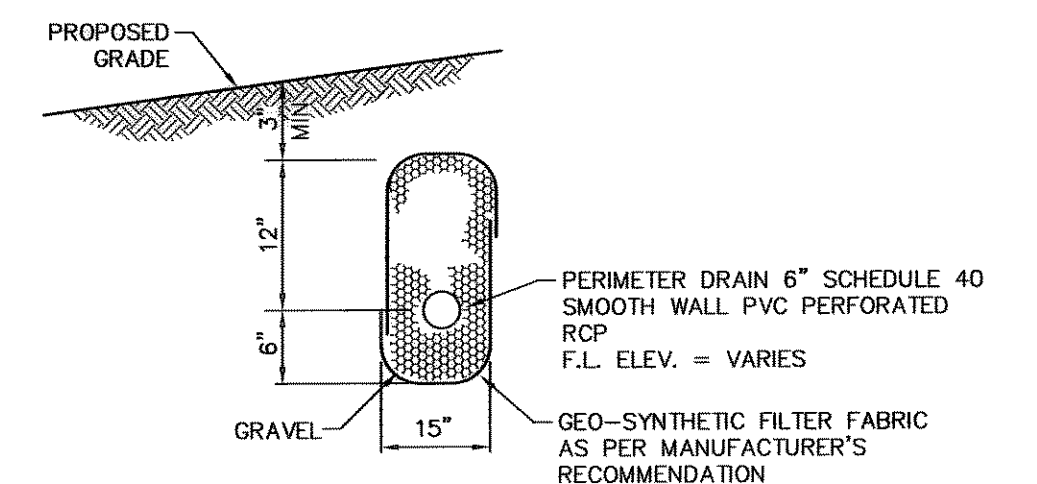
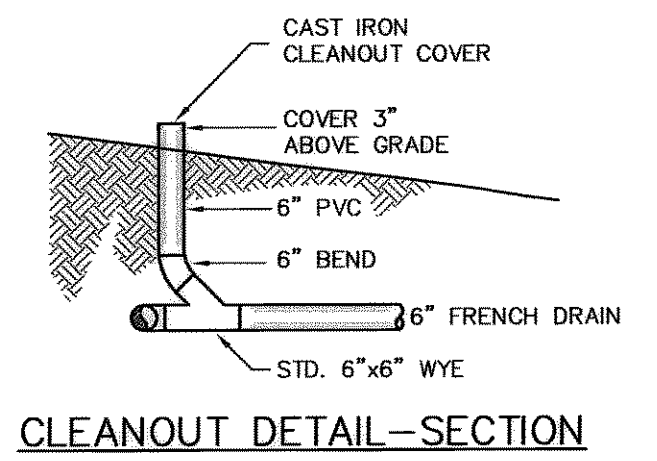
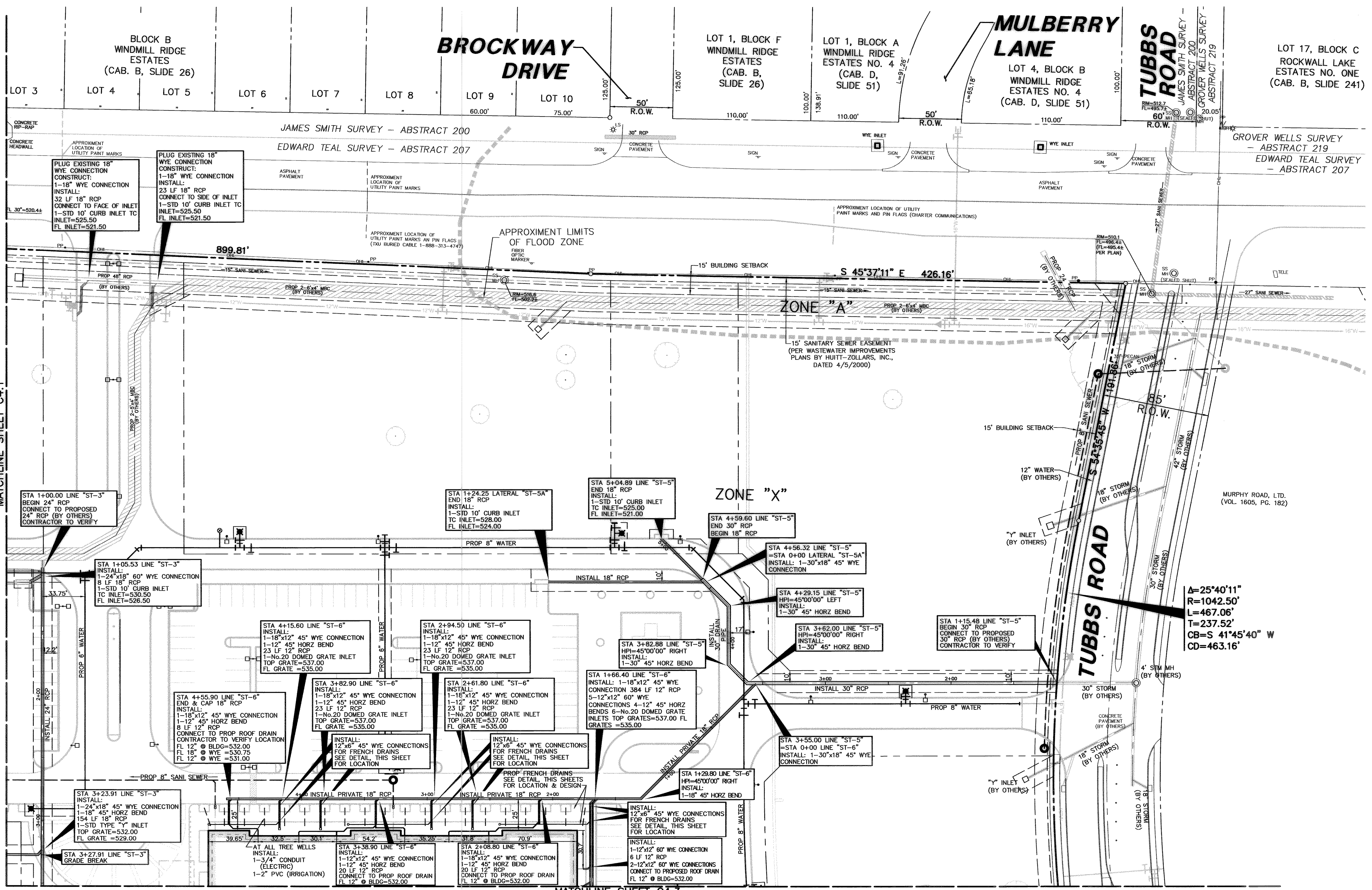


**LEGEND**

- ⊕ FIRE HYDRANT
- ⊕ POWER POLE
- ⊕ LIGHT STANDARD
- ⊕ WATER METER
- ⊕ WATER VALVE
- ⊕ CLEANOUT
- ⊕ MANHOLE
- ⊕ GAS METER
- PROPERTY LINE



**French Drain Details**

NOT TO SCALE

**BENCH MARK LIST**

- BM# 1 CITY OF ROCKWALL MONUMENT "RESET 1"; 3" BRASS DISK FOUND AT RIDGE ROAD (F.M. 740) AND SUMMER LEE DRIVE NEAR THE NORTH WEST CORNER OF THE A PARKING LOT FOR COMMUNITY BANK. ELEV=567.70
- BM# 2 " " CUT FOUND ON THE BACK OF CURB ON THE POINT ON CURVATURE OF THE SOUTHWEST CORNER OF THE INTERSECTION OF SUMMER LEE DRIVE AND OAK DRIVE. ELEV=563.21
- BM# 3 " " CUT SET ON THE BACK OF CURB AT THE POINT OF CURVE OF ROCKWALL PARKWAY AT THE NORTHEAST CORNER OF THE INTERSECTION OF SUMMER LEE DRIVE AND ROCKWALL PARKWAY. ELEV=552.82

NO.	DATE	REVISION
1	10/16/2007	REVISED LATERAL LOCATIONS
2	11/29/2006	ADDED ADDITIONAL ROOF DRAINS & 12" PARALLEL STORM LINE
3	11/17/2006	ADDED ROOF DRAINS TO BUILDING E
4	8/01/2006	ADDED 10" CURB INLETS AT MAIN ENTRANCE

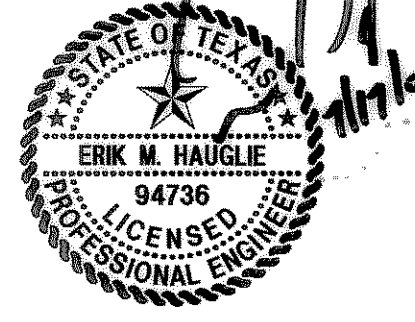
**Pacheco Koch Consulting Engineers**  
 8350 N. CENTRAL EXPWY. SUITE 1000 DALLAS, TX. 75206 972.235.3031

**STORM SEWER PLAN**  
**ROCKWALL COMMUNITY HOSPITAL**  
**HORIZON ROAD @ ROCKWALL PARKWAY**  
**EDWARD TEAL SURVEY, ABST. NO. 207**

**CITY OF ROCKWALL, TEXAS**

DESIGN	DRAWN	DATE	SCALE	NOTES	FILE	NO.
EMH	RRL	AUG 2006	1"=40'			<b>C4.2</b>

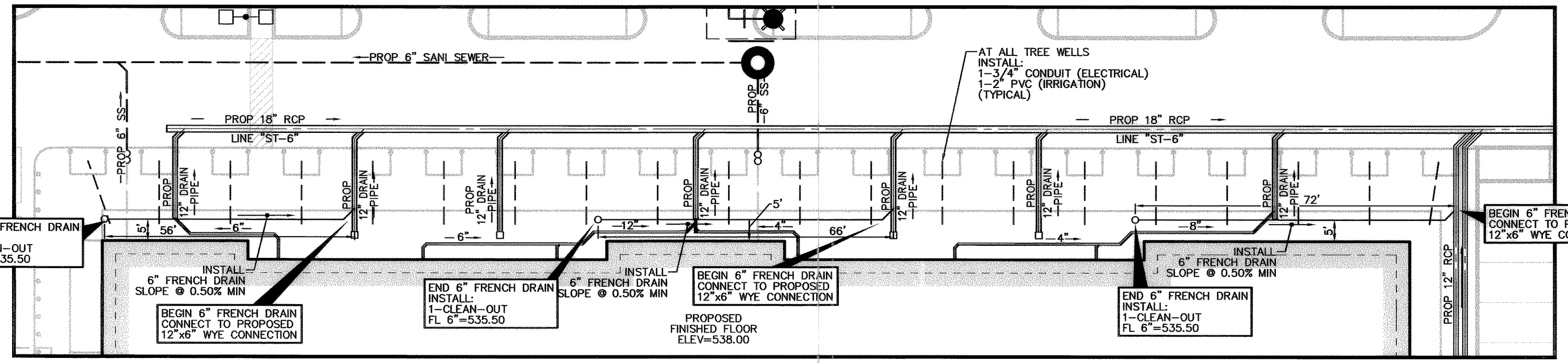
**RECORD DRAWING**  
 THIS DRAWING HAS BEEN REVISED TO REFLECT CONSTRUCTION RECORDS MAINTAINED AND PROVIDED BY THE CONTRACTOR FOR THIS PROJECT. A VISUAL REVIEW OF THE COMPLETED SITE CONSTRUCTION BY PACHECO KOCH, AND FIELD SURVEY VERIFICATION AT MANHOLES AND INLETS BY PACHECO KOCH.  
 CONTRACTOR: ROGERS-O'BRIEN CONSTRUCTION CO.  
 DATE REVISED: 11/14/2007



THE SEAL APPEARING ON THIS DOCUMENT WAS AUTHORIZED BY ERIC M. HAUGLE, P.E. 94736 ON 07/17/2006. ALTERATION OF A SEALED DOCUMENT WITHOUT PROPER NOTIFICATION TO THE RESPONSIBLE ENGINEER IS AN OFFENSE UNDER THE TEXAS ENGINEERING PRACTICE ACT.

**STORM SEWER DETAIL FOR FRENCH DRAINS**

SCALE: 1"=20'



REVISIONS: 01/15/08 - 01/15/08  
 M:\DWG-15\1567-05-270.DWG\1567-05-270C.DWG