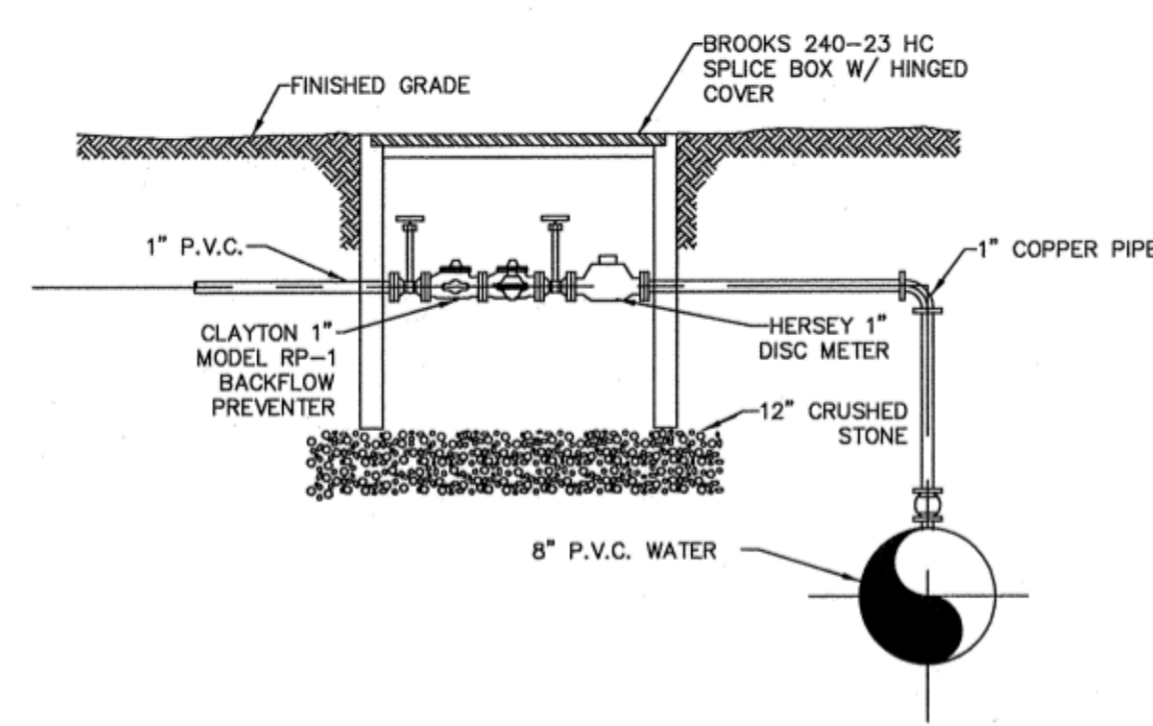


GENERAL NOTES:

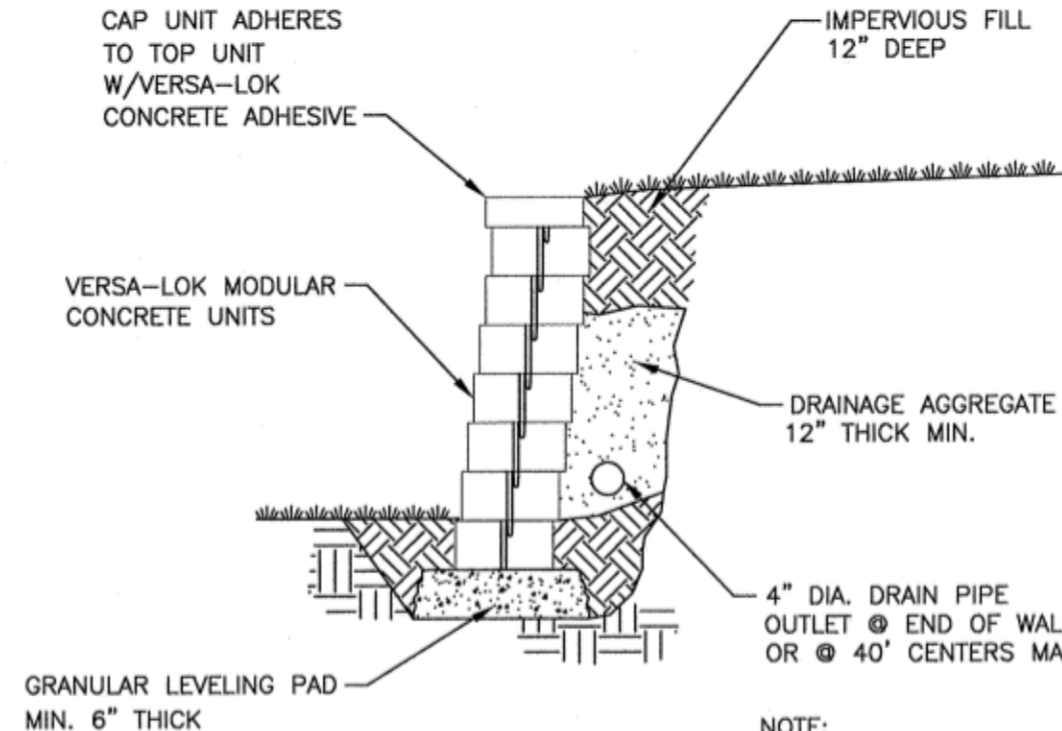
- All work, methods, materials, and equipment shall conform to City of Rockwall Subdivision Regulations, the North Central Texas Council of Government construction standards 3rd edition, any special provisions to the NCTCOG approved by the city of Rockwall. Standard details can be obtained from NCTCOG and the City of Rockwall.
- Prior to construction, the contractor shall familiarize himself with the contract documents and specifications, the plans including all notes and any other applicable standards or specifications relevant to the proper completion of the work specified. Failure on the part of the contractor to familiarize himself with all standards or specifications pertaining to this work shall in no way relieve the contractor of responsibility for performing the work in accordance with all such applicable standards and specifications.
- Contractor shall have in his possession, prior to construction, all-necessary permits, licenses, etc. Contractor shall have at least one set of approved engineering plans and specifications on site at all time.
- Any item of work called for by the plans and/or specification and not included, as a bid item shall be subsidiary to the construction of the various bid items.
- Construction inspection will be performed by representatives of the owner, engineer, City, geotechnical engineer, and reviewing authorities and agencies. Unrestricted access shall be provided to them at all times. Contractor is responsible for scheduling required inspections as required by contract documents.
- The contractor and all subcontractors must confine their activities to the work area. Any damage resulting from work outside the work area, shall be the contractor's responsibility.
- It will be the responsibility of each contractor to protect all existing public and private utilities throughout the construction of this project. Contractor shall contact the appropriate utility companies for line locations prior to commencement of construction and shall assume full liability to those companies for any damages caused to their facilities. Location of utilities are taken from the City and Utility Company records. Contractor shall field verify to determine exact location of utilities.
- Trench safety design will be the responsibility of the contractor. The contractor shall abide by all applicable federal, state, and local laws governing excavation. Trench side slopes shall meet OSHA standards. Shoring, shoring, and bracing shall be required when side slope standards are not met. A pull box, meeting OSHA standards will be acceptable. The contractor shall submit detailed plans to the City Engineer for review showing how OSHA Standards for excavation shall be met prior to any utility construction. The plans shall be sealed by an Engineer registered by the State of Texas.
- Contractor shall stockpile salvage materials for inspection. All items not salvaged by the owner shall be removed from the site at the contractor's expense. The owner will transport salvaged materials away from the site at the owner's expense. Salvage, stockpile, and removal of materials shall be considered subsidiary to the various bid items and shall not be paid for directly unless such items are specifically included in the bid items.
- The contractor shall be responsible for providing and maintaining all necessary warning and safety work, material, and operations needed to provide for the health and safety of the public until all work has been completed, including maintenance bond periods, and to be accepted by City of Rockwall in writing.

WATER NOTES:

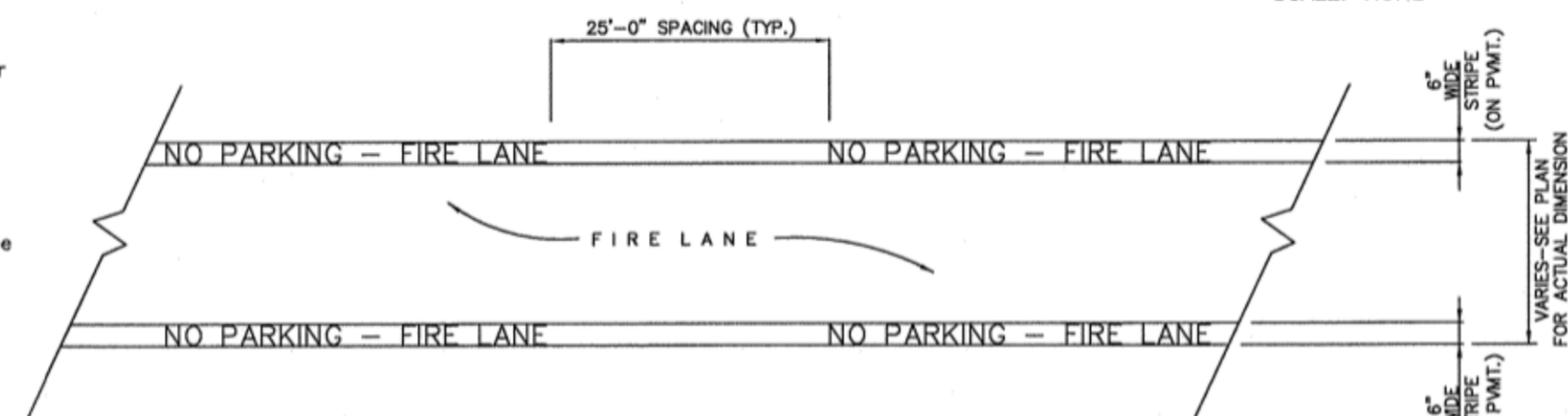
- All new water line shall be fully purged. Do not test against existing valves when connecting to existing lines.
- Where water mains either cross or otherwise come within 9 feet of a sanitary sewer main, the contractor will conform to Texas Administrative Code Title 30, Part 1, Chapter 290, Subchapter D, Rule §290.44.
- All water lines installed to be PVC pipe DR 18 class 200 conforming to AWWA Standard C-900. All fittings shall be mechanical or O-ring, no compact fittings will be allowed.
- All water lines are to be installed a minimum of 48" deep measured from top of pipe to final grade.
- Utility contractor shall use MEGALUG when installing the water line and double strap services when installing the services.
- Water services shall be installed w/double strap saddle and tap installed with a corporation stop at the distribution pipeline and an angle stop.
- All water lines shall be pressure tested and disinfected in accordance with AWWA C 601. A passing Bacteriological test (negative for coliform) shall be achieved prior to acceptance.
- All gate valves shall be Muller, Kennedy or approved equal and conform to ANSI/AWWA C-110/A21.10 specifications. All gate valves (including tapping sleeves and valves) shall be mechanical joint.
- All fire hydrants shall be located 2' off the right-of-way line or as shown on plans. All fire hydrants shall be American Flow Control or Clow.
- All water line installation shall be in conformance with the North Central Texas Council of Governments (NCTCOG) Standards Specifications for Public Works Construction, 3rd edition.



BACKFLOW PREVENTER DETAIL
NO SCALE



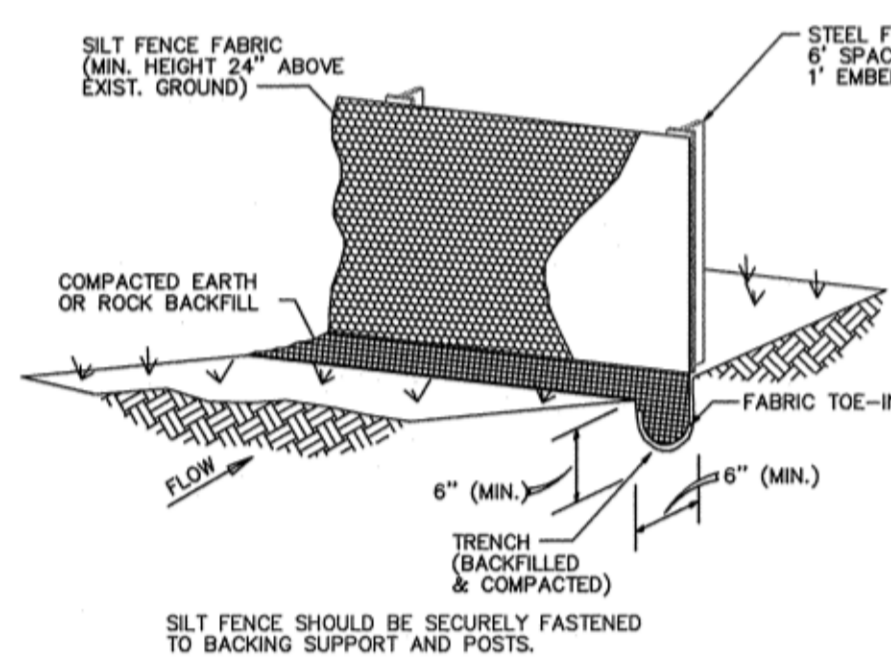
TYPICAL SECTION-UNREINFORCED RETAINING WALL
SCALE: NONE



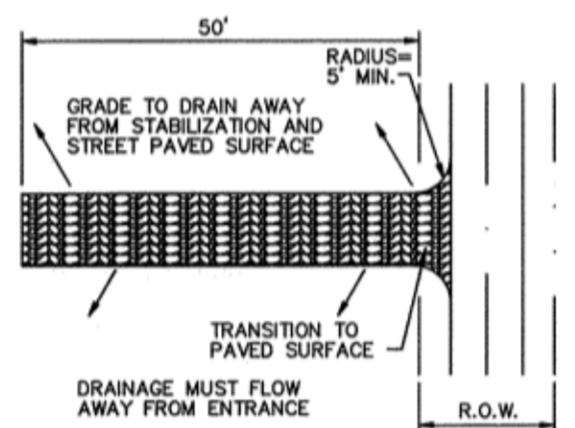
FIRELANE STRIPING DETAIL
N.T.S.

STRIPING DETAILS AND SPECIFICATIONS

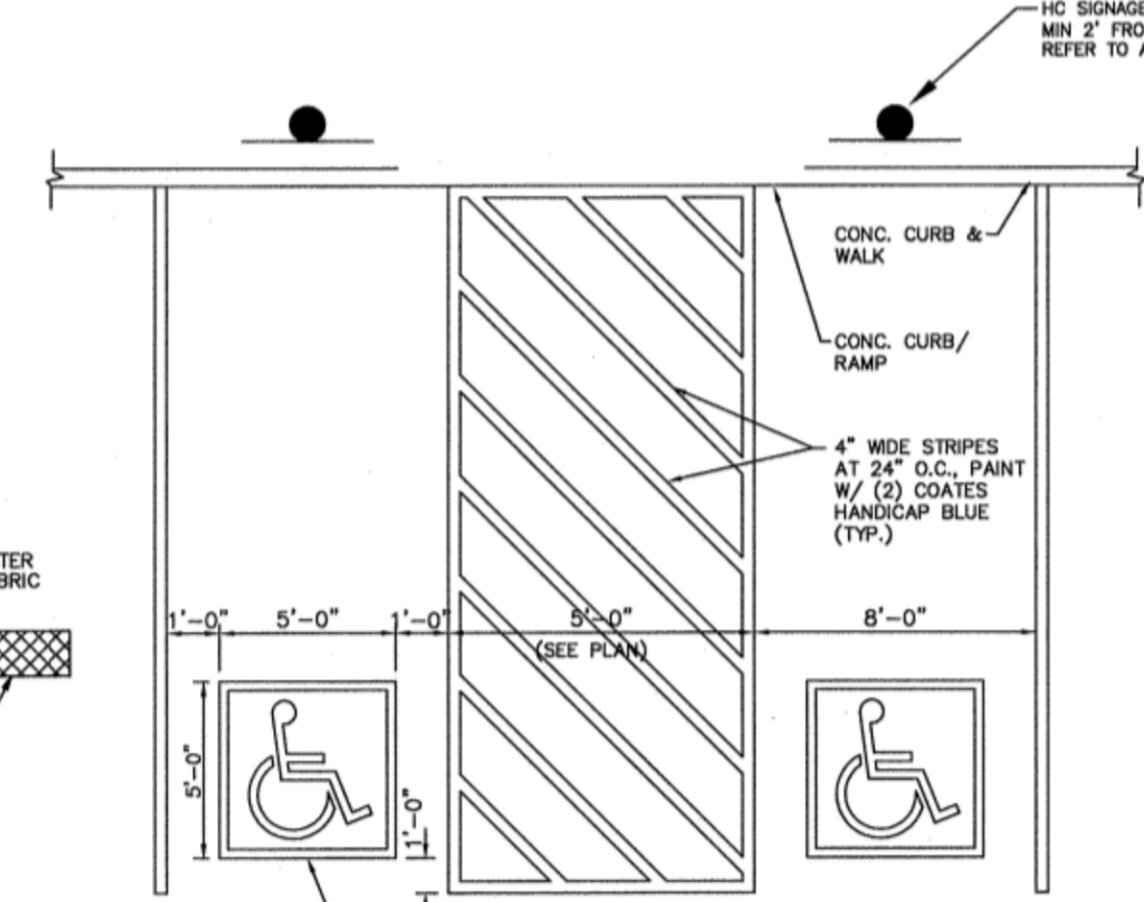
- NOTE:** Firelane markings shall be placed on curb when firelane is adjacent to curb and on pavement in all other applications.
- Points:**
 - Stripes shall be six (6) inches wide when on pavement and from the top of the curb to a point even with the driving surface when on curb, painted with an exterior acrylic latex paint.
 - Color shall be "Traffic Red" Glidden No. 63251 or equal.
 - Letters shall be four (4) inches high painted with an exterior acrylic latex paint.
 - Color shall be "Traffic White" Glidden No. 563245 or equal.
 - Application:**
 - Stripes may be brushed or sprayed, one coat to finish.
 - Letters shall be stencil formed, brush applied and spaced as detailed on this sheet.



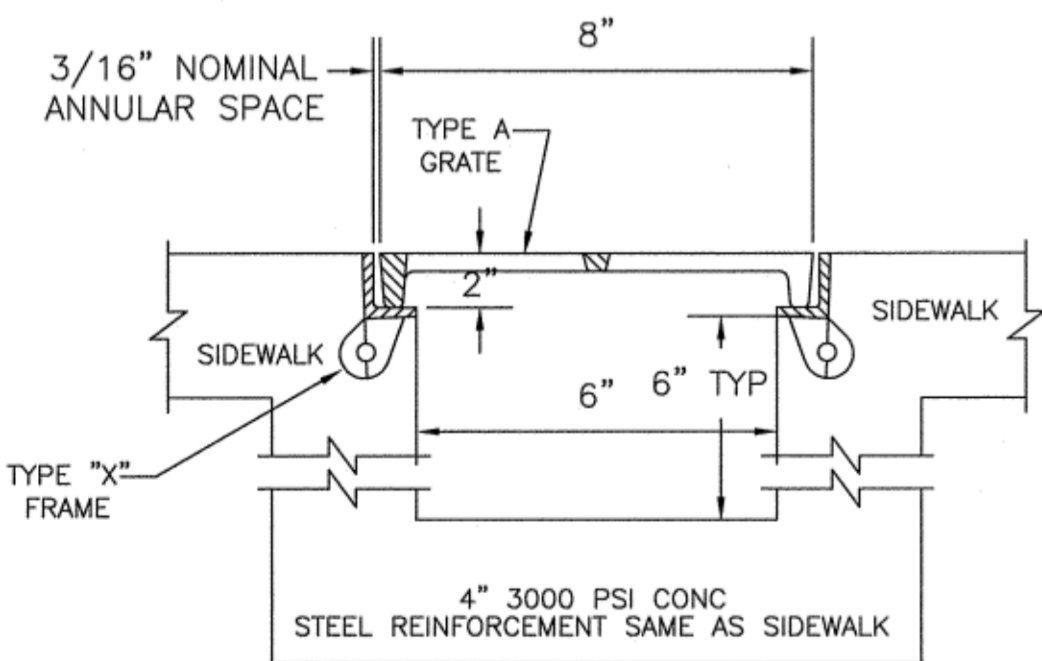
SILT FENCE
N.T.S.
NCTCOG 02270.B
STORM WATER QUALITY
BEST MANAGEMENT PRACTICES
FOR CONSTRUCTION ACTIVITIES



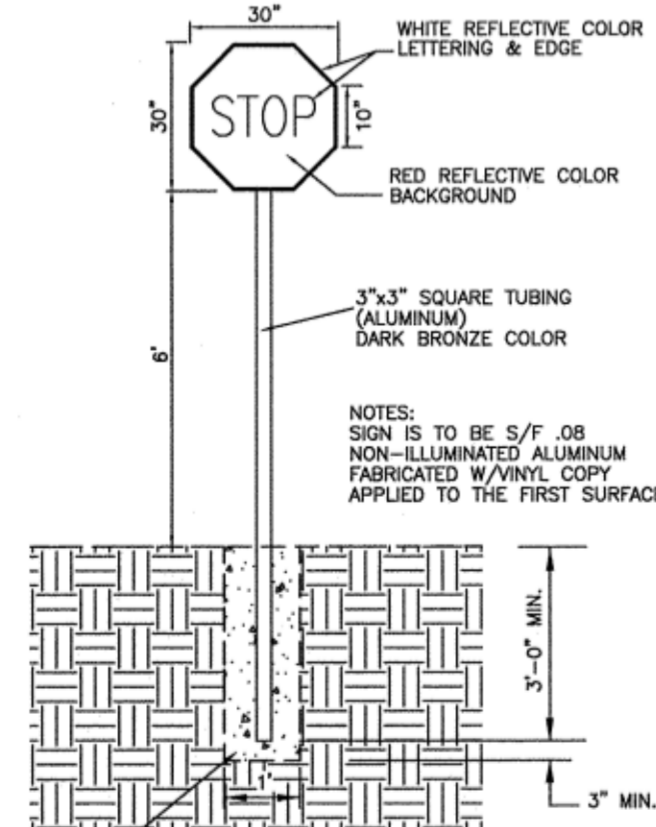
STABILIZED CONSTRUCTION ENTRANCE / EXIT
N.T.S.
NCTCOG 02270.G
STORM WATER QUALITY
BEST MANAGEMENT PRACTICES
FOR CONSTRUCTION ACTIVITIES



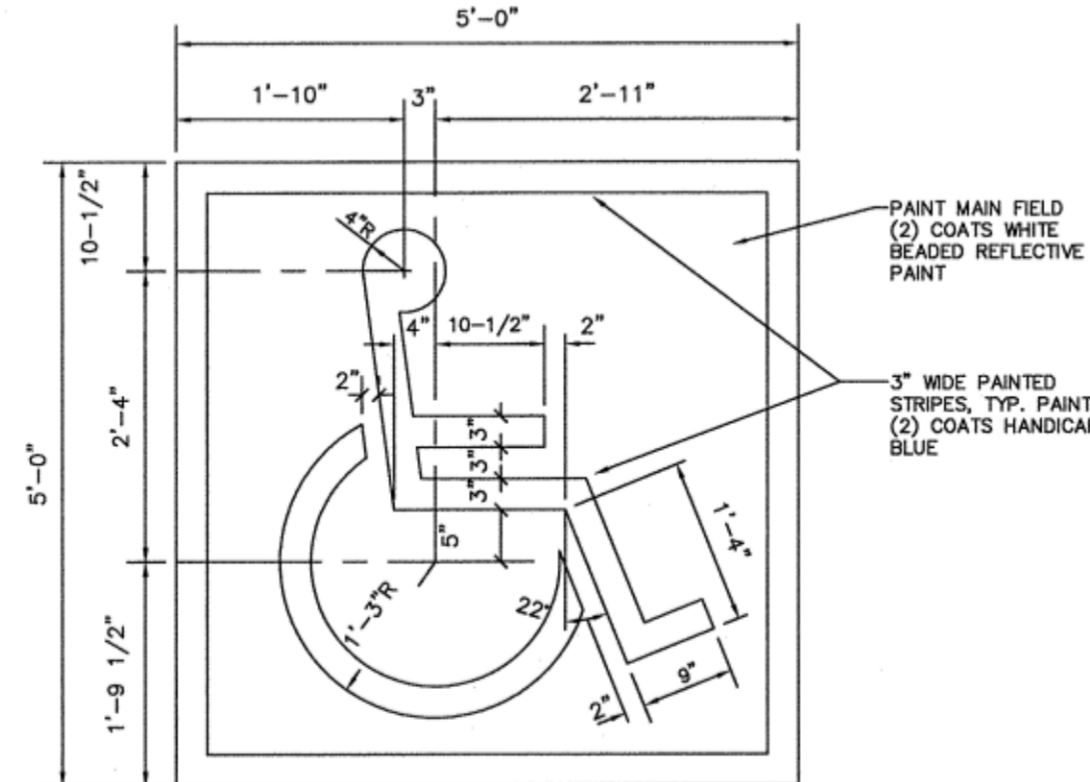
ACCESSIBILITY PARKING
N.T.S.



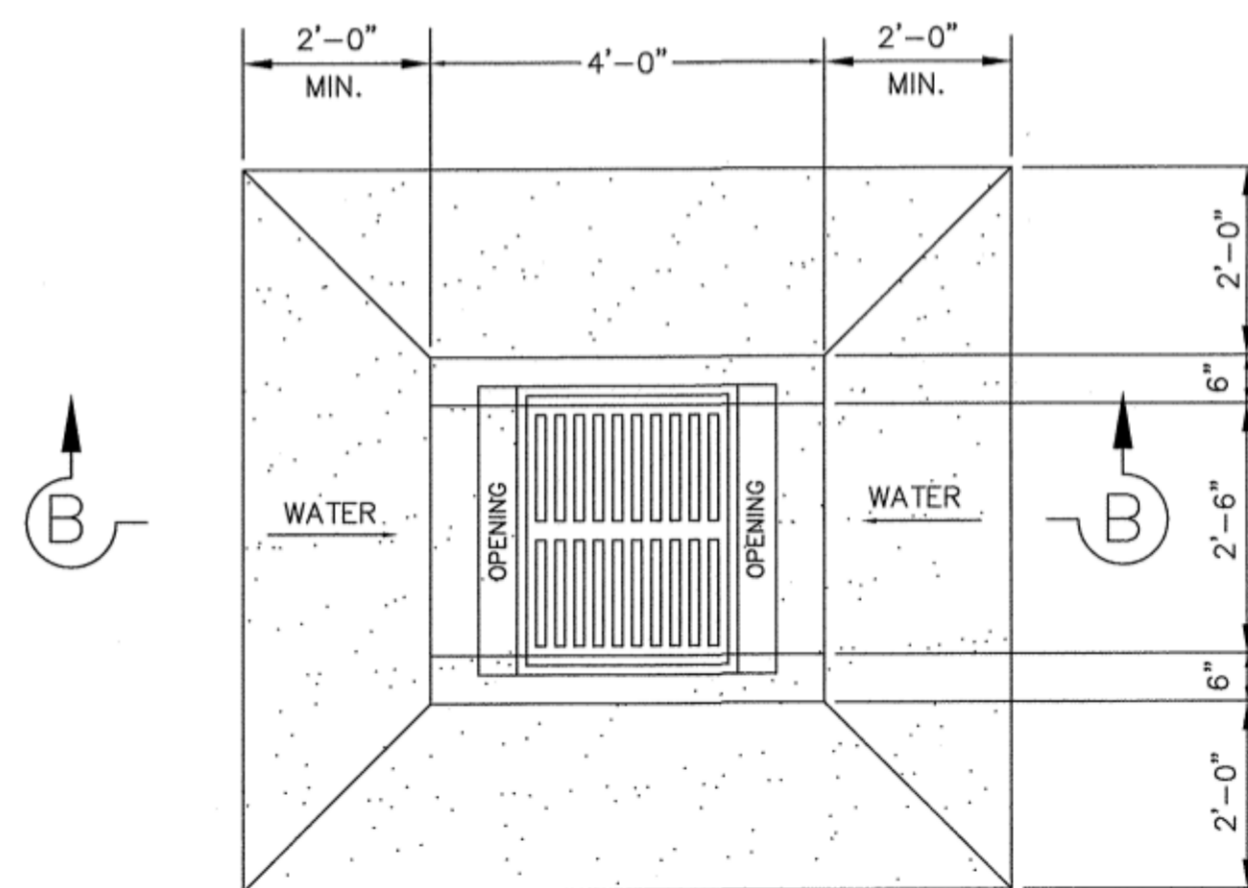
TRENCH DRAIN DETAIL
NEENAH FOUNDRY
LIGHT DUTY TRENCH DRAIN



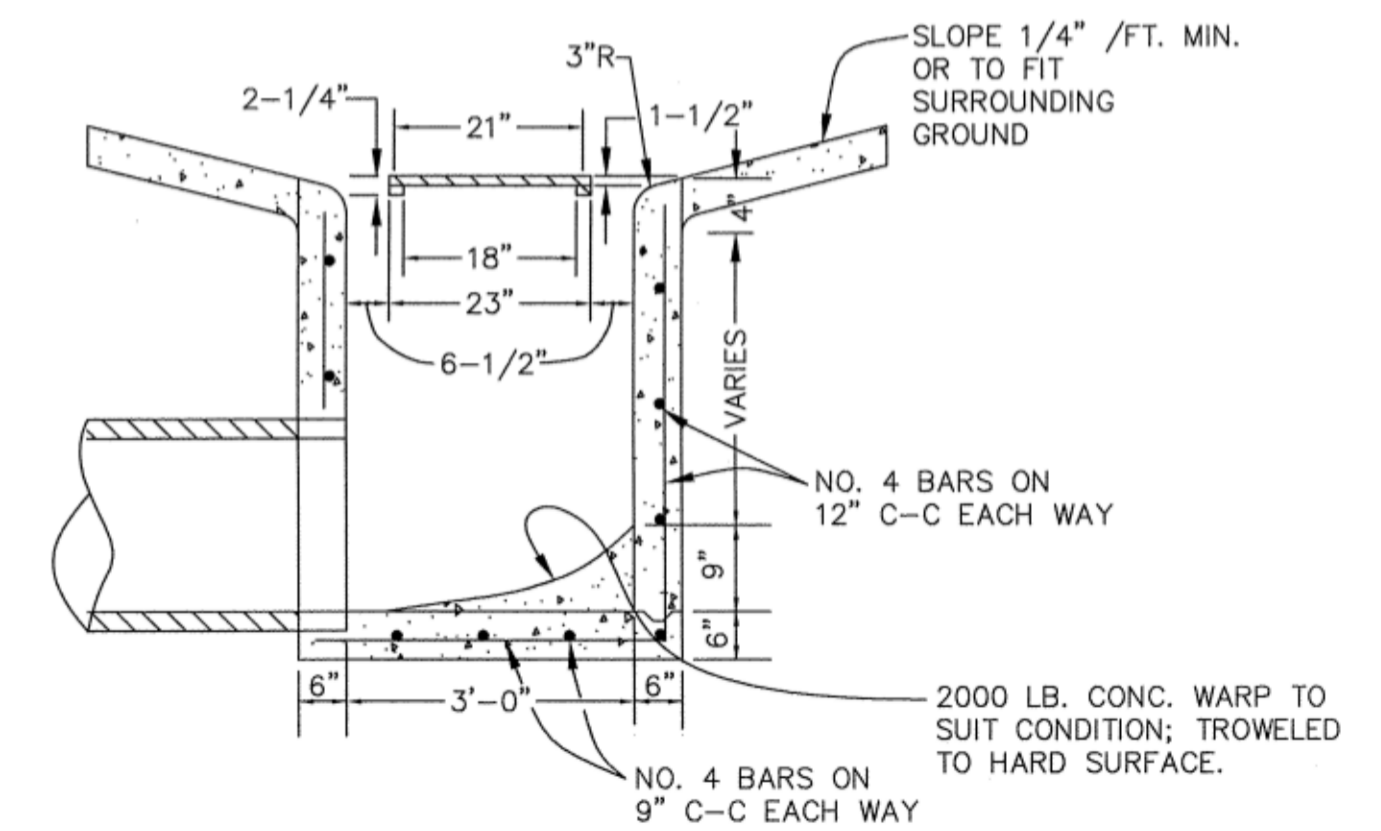
STOP SIGN ASSEMBLY
N.T.S.



PAINTED ACCESSIBILITY SYMBOL
N.T.S.



STANDARD GRATE INLET
NOTE:
BASS & HAYS GRATE & FRAME PATTERN NO. VFG 18 * 30; WEIGHT: 240 LBS. (OR EQUIVALENT)



SECTION B-B

RECORD DRAWINGS

THESE RECORD DRAWINGS HAVE BEEN PREPARED BASED ON INFORMATION PROVIDED BY OTHERS. THE ENGINEER HAS NOT VERIFIED THE ACCURACY OF THIS INFORMATION AND SHALL NOT BE RESPONSIBLE FOR ANY DISCREPANCIES WHICH MAY BE INCORPORATED HEREIN AS A RESULT.

ENGINEERING CONCEPTS & DESIGNS, L.P.
TODD WINTTERS, P.E. 12-11-12 DATE



ENGINEERING / PROJECT MANAGEMENT /
CONSTRUCTION SERVICES - FIRM REG. #F-001145
2801 CAPITAL, WYLIE, TX 75098
972-941-8400 FAX: 972-941-8401 WWW.ECDLP.COM

REVISIONS:	
DRAWN: ECD	DATE: 7 December 2012
CHECKED: TW	DATE: MAY 2009
PROJECT NO.: 09810	
DWG FILE NAME: 9810 DETAILS.DWG	

THIS DOCUMENT IS RELEASED FOR THE PURPOSE OF CONSTRUCTION. THE SEAL APPEARING ON THIS DOCUMENT WAS AUTHORIZED BY TODD D. WINTTERS, P.E. 87085



DETAILS & GENERAL NOTES
LOTS 4&5 BLK A, (PROP LOT 4-R)
PRESBYTERIAN HOSPITAL ADDN.
CITY OF ROCKWALL, ROCKWALL COUNTY, TEXAS