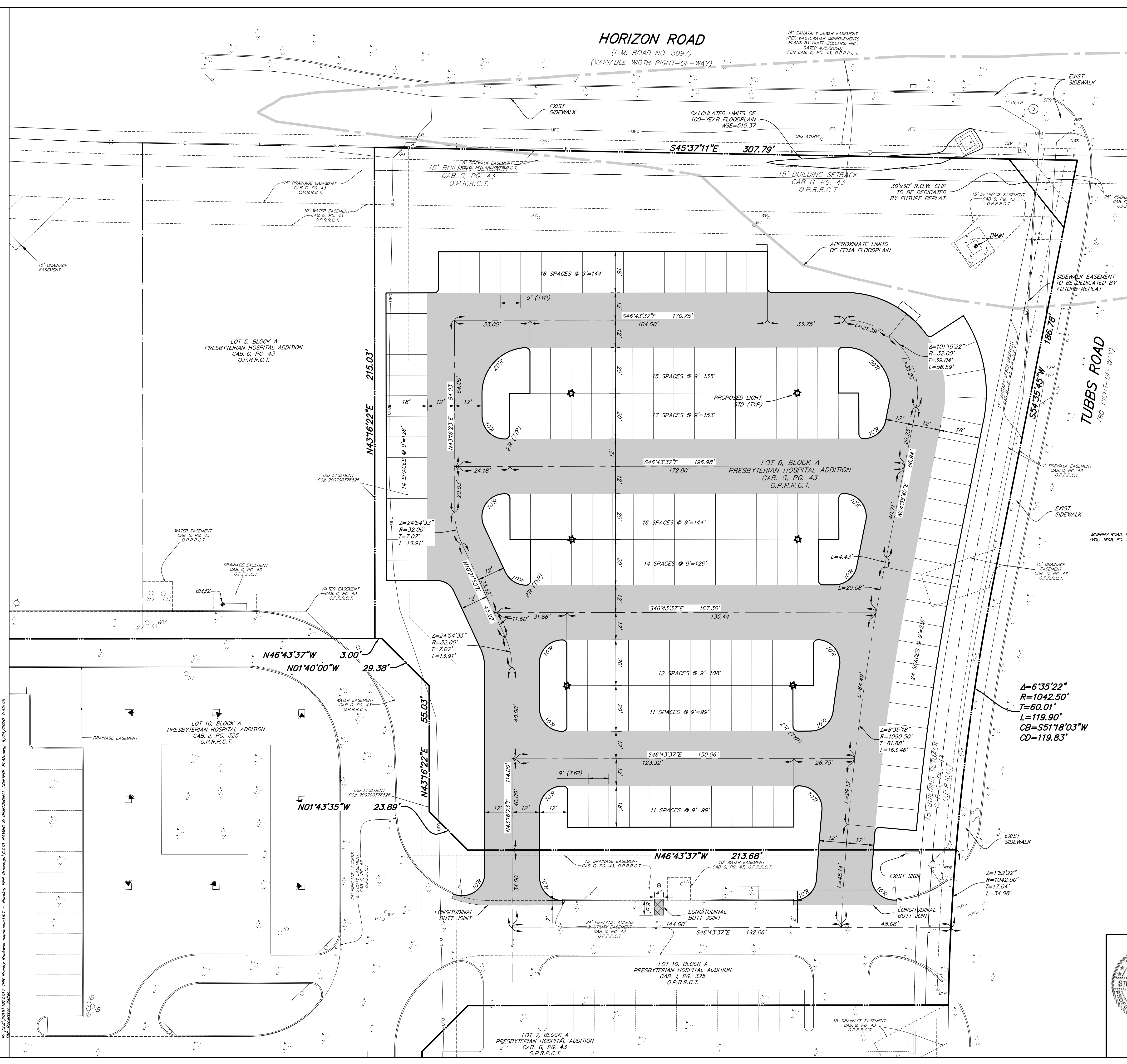
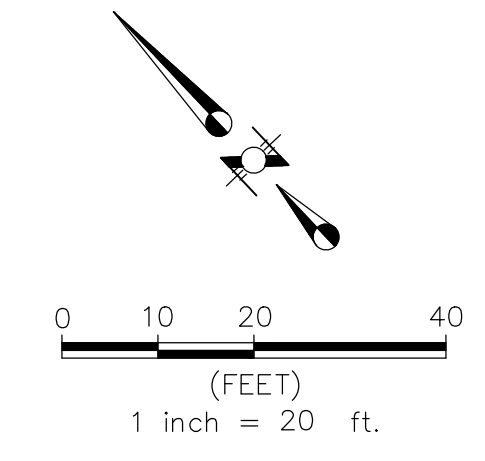
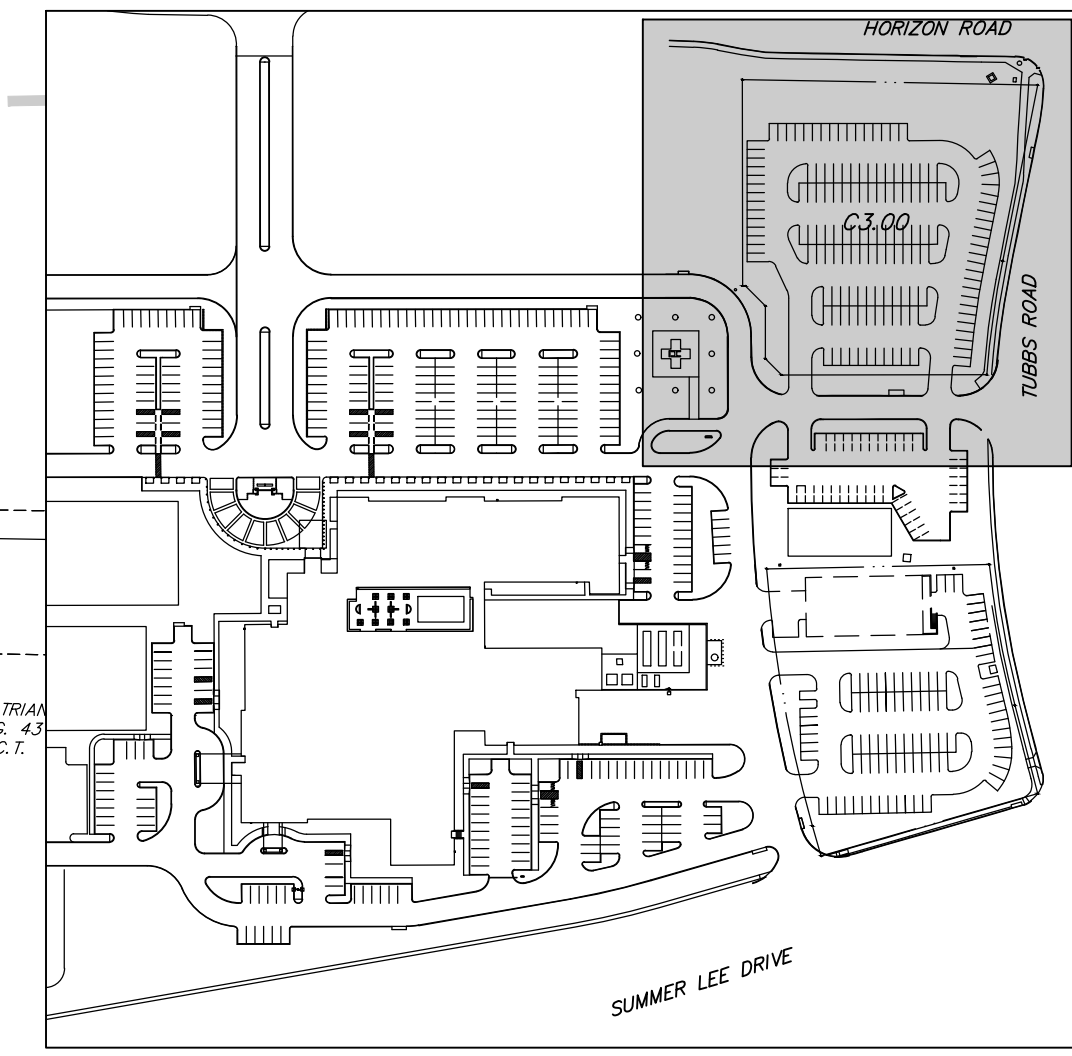


HORIZON ROAD
(F.M. ROAD NO. 3097)
(VARIABLE WIDTH RIGHT-OF-WAY)

15' SANITARY SEWER EASEMENT
(PER WASTEWATER IMPROVEMENTS
PLANS BY WATT-ZOLLARS, INC.
DATED 4/2/2000)
PER CAB. G. PG. 43, O.P.R.R.C.T.



KEYMAP
1"=20'

LEGEND

- INSTALL 7" 3600psi (6.5 SACK/CY MIN) REINFORCED CONCRETE PAVEMENT WITH #3 BARS @ 18" O.C.E.W. (NO SAND UNDER PAVING ALLOWED)
- INSTALL 6" 3600psi (6.5 SACK/CY MIN) REINFORCED CONCRETE PAVEMENT WITH #3 BARS @ 18" O.C.E.W. (NO SAND UNDER PAVING ALLOWED)
- INSTALL 5" 3600psi (6.5 SACK/CY MIN) REINFORCED CONCRETE PAVEMENT WITH #3 BARS @ 18" O.C.E.W. (NO SAND UNDER PAVING ALLOWED)
- INSTALL 4" 3000psi (5.5 SACK/CY MIN) REINFORCED CONCRETE PAVEMENT WITH #3 BARS @ 24" O.C.E.W. (NO SAND UNDER PAVING ALLOWED)
- PROPOSED CURB
- LIMITS OF PAVEMENT SAWCUT
- PROPOSED LIGHT STD (REF MEP)

NOTE:
REFERENCE MEP AND COMM SITE PLANS AND LANDSCAPE IRRIGATION PLANS FOR SLEEVING UNDER CONCRETE

ALL RESPONSIBILITY FOR ADEQUACY OF DESIGN REMAINS WITH THE DESIGN ENGINEER. THE CITY OF ROCKWALL, IN REVIEWING AND RELEASING PLANS FOR CONSTRUCTION, ASSUMES NO RESPONSIBILITY FOR ADEQUACY OR ACCURACY OF DESIGN.

RECORD DRAWING
TO THE BEST OF OUR KNOWLEDGE, RLG INC. HEREBY STATES THAT THESE PLANS ARE RECORD DRAWINGS. THIS INFORMATION IS BASED ON SURVEYING AT THE SITE AND INFORMATION PROVIDED BY THE CONTRACTOR.
DATE: 06/18/2020

REVISIONS			
REV NO.	DATE	DESCRIPTION	BY

RLG CONSULTING ENGINEERS
12001 N. CENTRAL EXPRESSWAY #300 DALLAS, TX 75243
TSP# FIRM REG. F-493

PAVING & DIMENSIONAL CONTROL PLAN
THR PRESBYTERIAN HOSPITAL EXPANSION
ROCKWALL, TEXAS

PERKINS & WILL
PHASE I - PARKING EXPANSION - IFC

REVIEW	DRAWN	DATE	FILE	NUMBER	SHEET
RLG	RLG	1/6/2020	1913	017	C3.00



BENCHMARKS:
BENCHMARK #1: A CHISELED "X" CUT ON THE TOP OF A DROP INLET, 75'± NORTHWEST OF THE CENTERLINE OF TUBBS ROAD, 103'± SOUTHWEST OF THE CENTERLINE OF HORIZON ROAD. ELEVATION: 513.98'
BENCHMARK #2: A CHISELED "X" CUT AT THE NORTHEAST CORNER AN INLET, ON THE NORTHEAST LINE OF A PRIVATE DRIVE, 10' NORTHWEST OF A CURB RETURN IN SAID NORTHEAST LINE OF A PRIVATE DRIVE, 371'± NORTHWEST OF THE CENTERLINE OF TUBBS ROAD, AND 268'± SOUTHWEST OF THE CENTERLINE OF HORIZON ROAD. ELEVATION: 525.32'

2025/06/18/10:11:27 7887 Presbyterian Hospital expansion IFC 1 - Paving IFC Drawings (C3.01) PAVING & DIMENSIONAL CONTROL PLAN RLG.dwg 6/18/2020 4:42:55
 RLG CONSULTING ENGINEERS