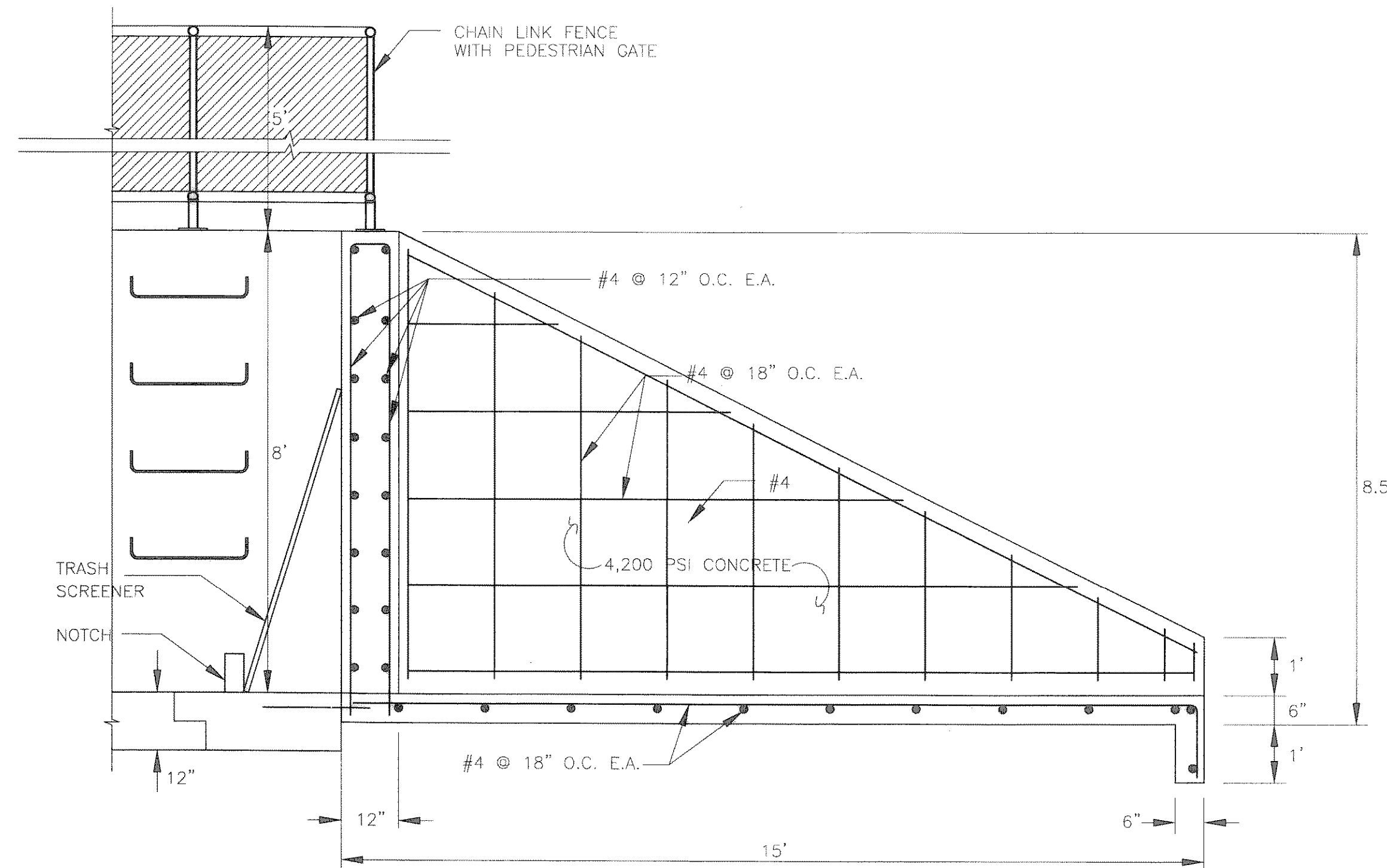
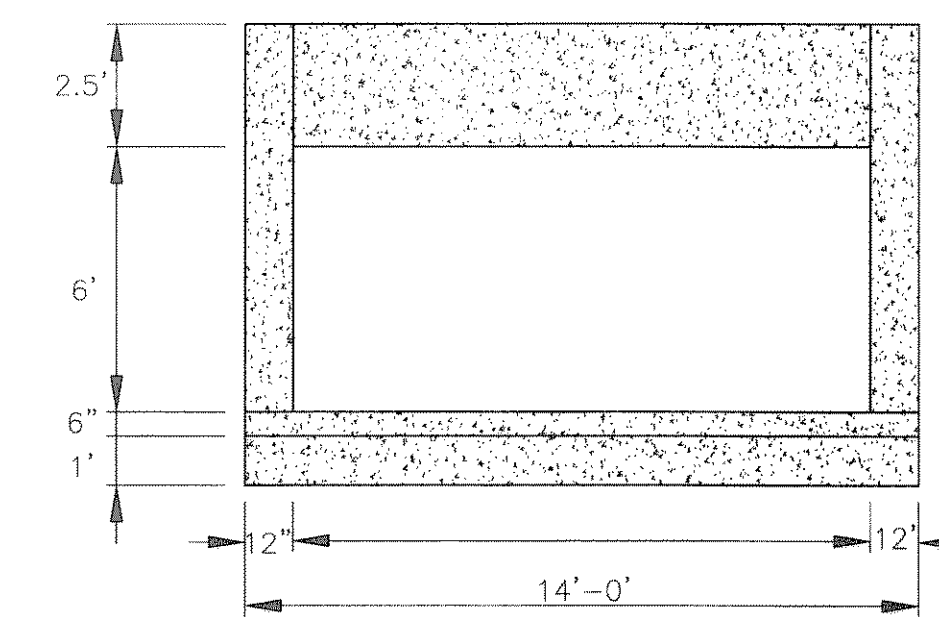


1 TRASH SCREENER DETAILS  
N.T.S.

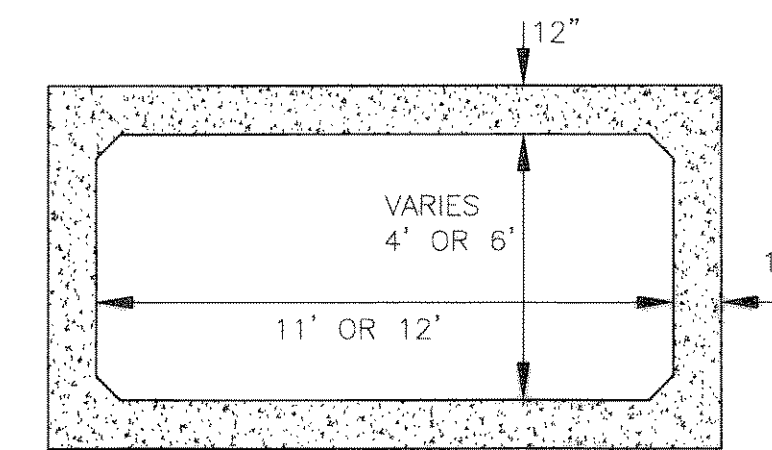


2 WINGWALL DETAILS  
N.T.S.

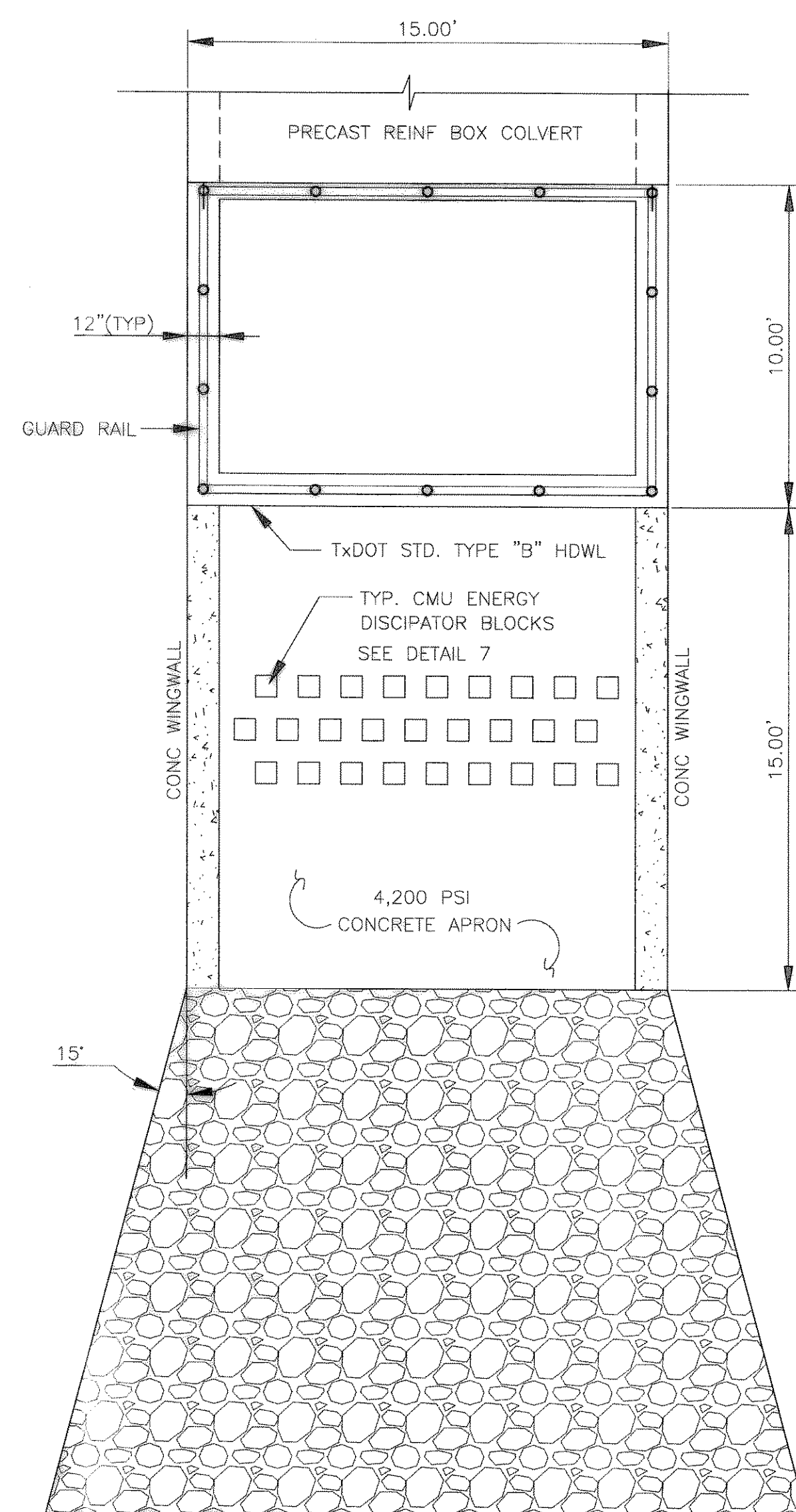


NOTE: SEE REINF. ON DETAIL 2

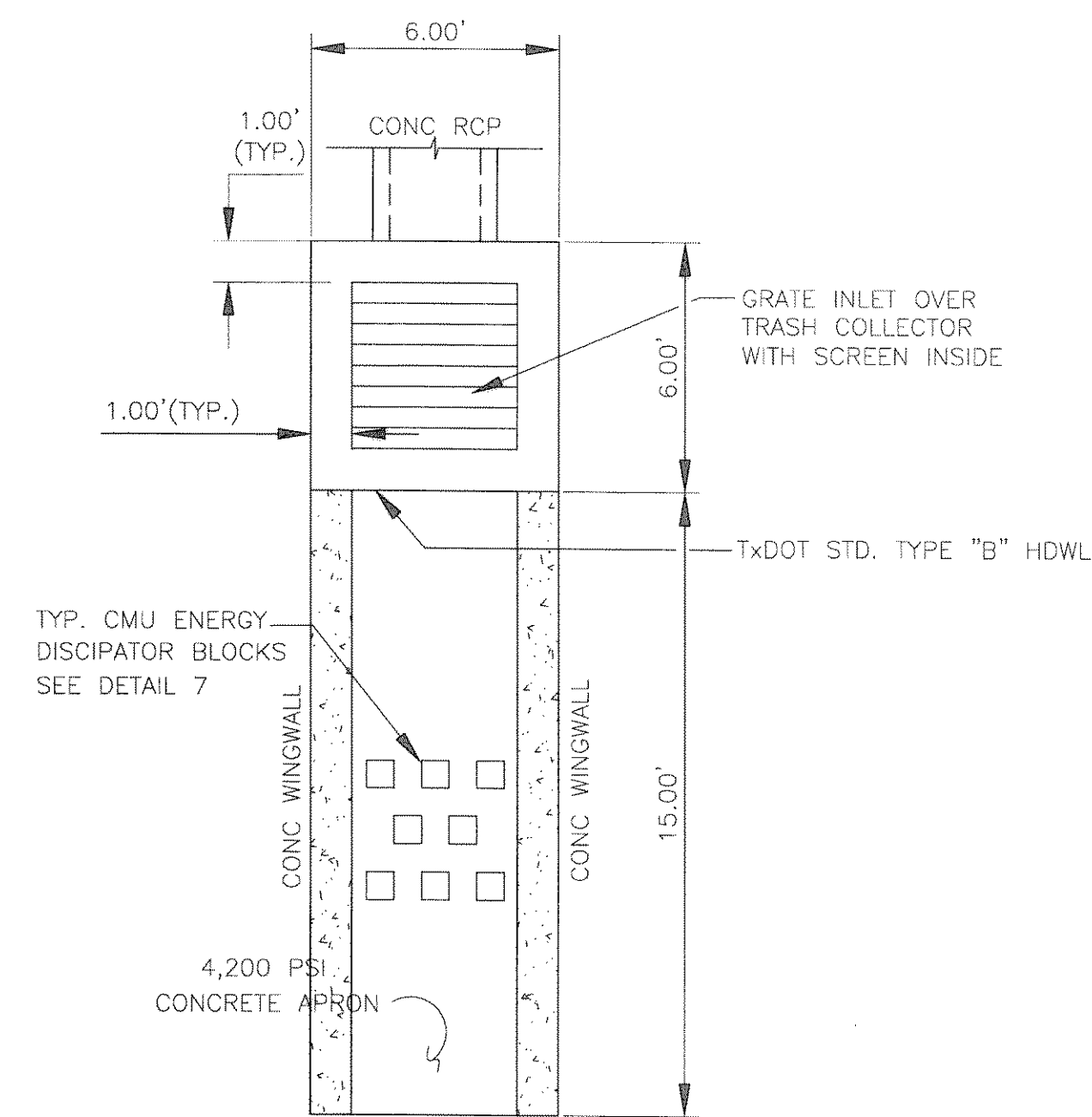
3 CAST-IN-PLACE HEADWALL DIMENSIONS PLAN  
N.T.S.



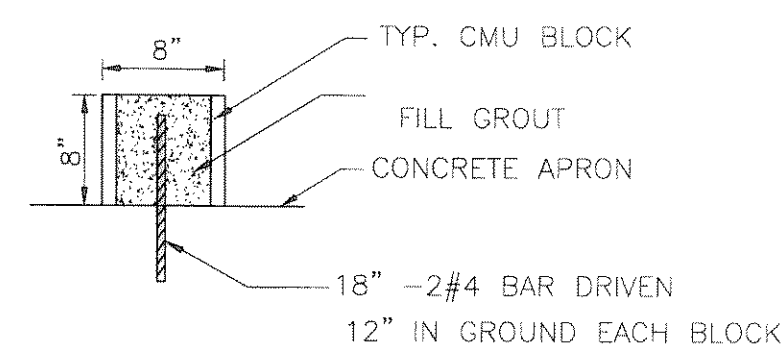
4 TYPICAL PRECAST CONC. BOX CULVERT  
(DETAIL SHOP DRAWING SUBMITTAL REQ'D) N.T.S.



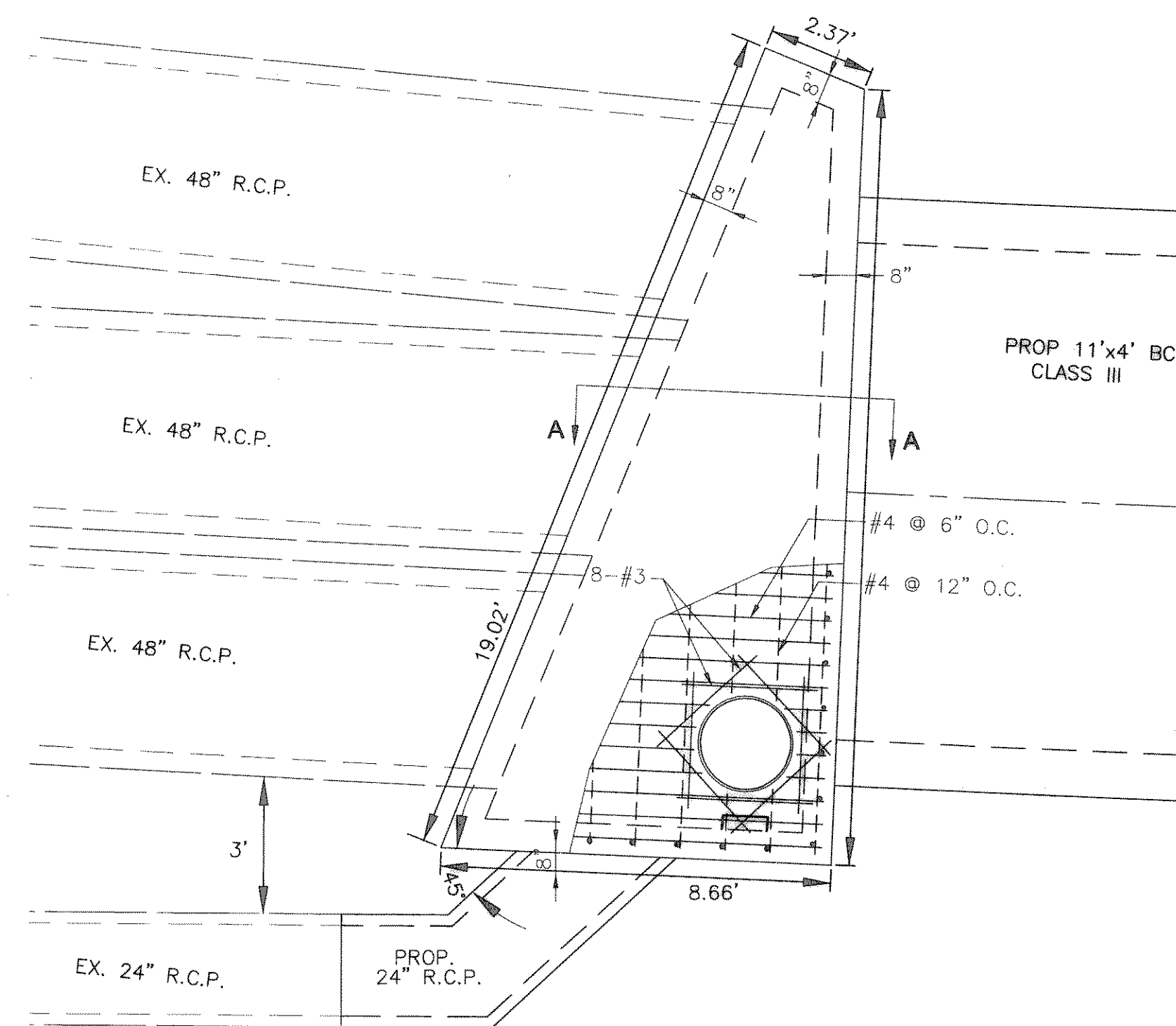
5 LINE "P" HDWL PLAN VIEW  
N.T.S.



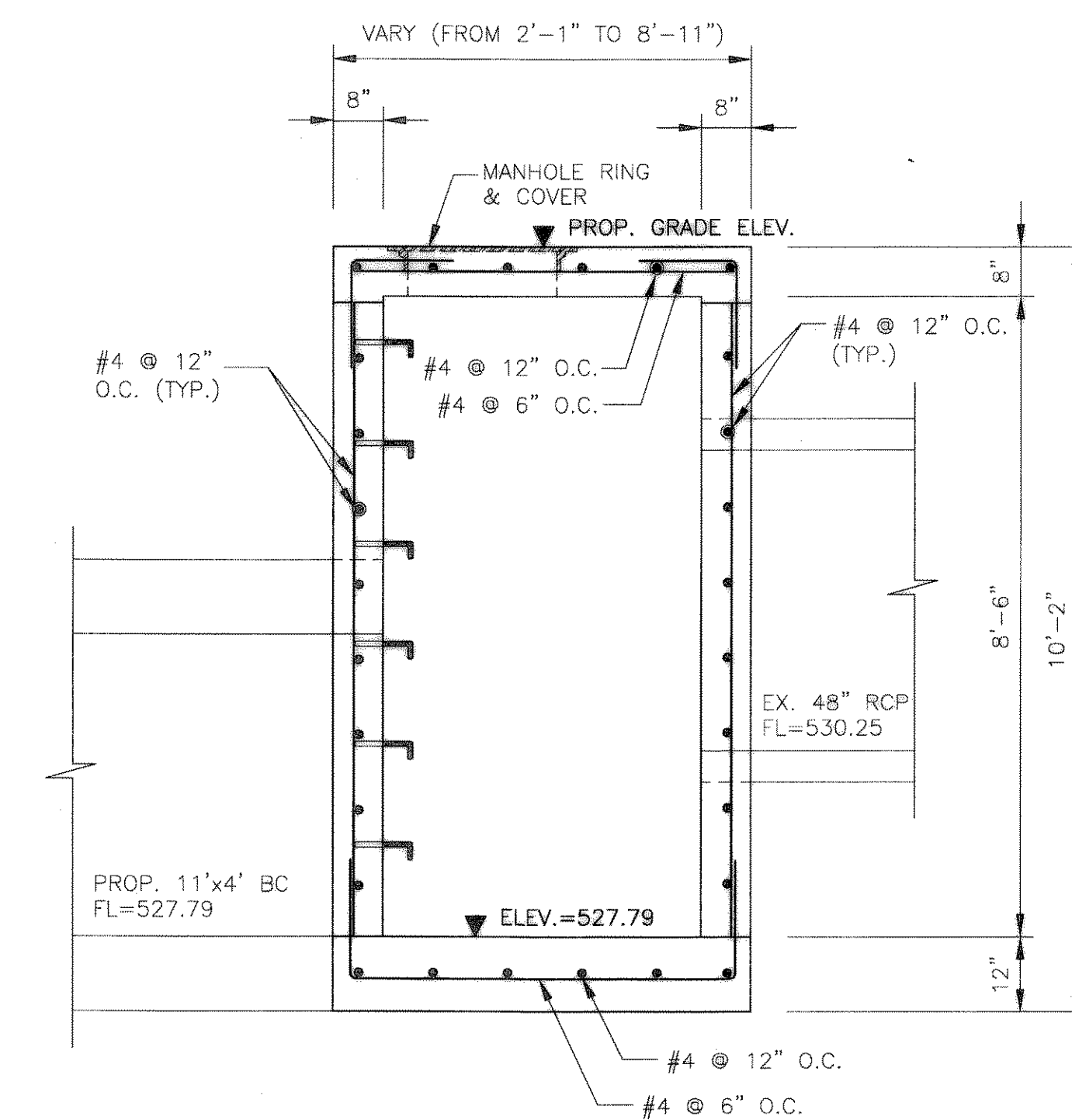
6 LINE "S" HDWL PLAN VIEW  
N.T.S.



7 TYP. CONCRETE MASONRY UNIT (CMU)  
N.T.S.



8 JUNCTION BOX DETAILS  
N.T.S.



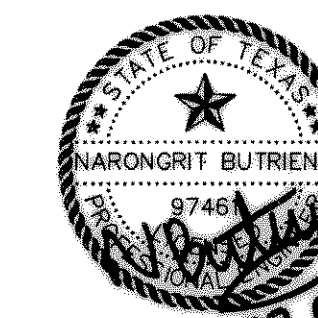
9 SECTION A-A  
N.T.S.

NOTES:

1. CONTRACTOR SHALL SUBMIT SHOP DRAWINGS FOR APPROVAL PRIOR TO CONSTRUCTION
2. PRECAST MFG SHALL VERIFY BOX CULVERT DIMENSION & SUBMIT SHOP DRAWINGS FOR APPROVAL
3. ALL DRAINAGE STRUCTURES SHALL BE 4200 PSI CONCRETE

AS BUILT

THIS IS TO CERTIFY THAT CHANGES AND CORRECTIONS HAVE BEEN MADE TO CONFORM TO THE CONTRACTOR'S RECORD OF THIS PROJECT.



TYPICAL BOX CULVERT DETAILS

HORIZON ROAD (FM 3097), SUMMER LEE DRIVE, AND TUBBS ROAD IMPROVEMENTS

CITY OF ROCKWALL, TEXAS

PSA ENGINEERING

17819 DAVENPORT ROAD, SUITE 215 DALLAS, TX 75252 (972) 248-8651

DESIGN	DRAWN	DATE	SCALE	CHECK	FILE	NO.
RNB	PSA	02/28/07	AS SHOWN	PSS	2607.PHR	C-6

AS BUILT