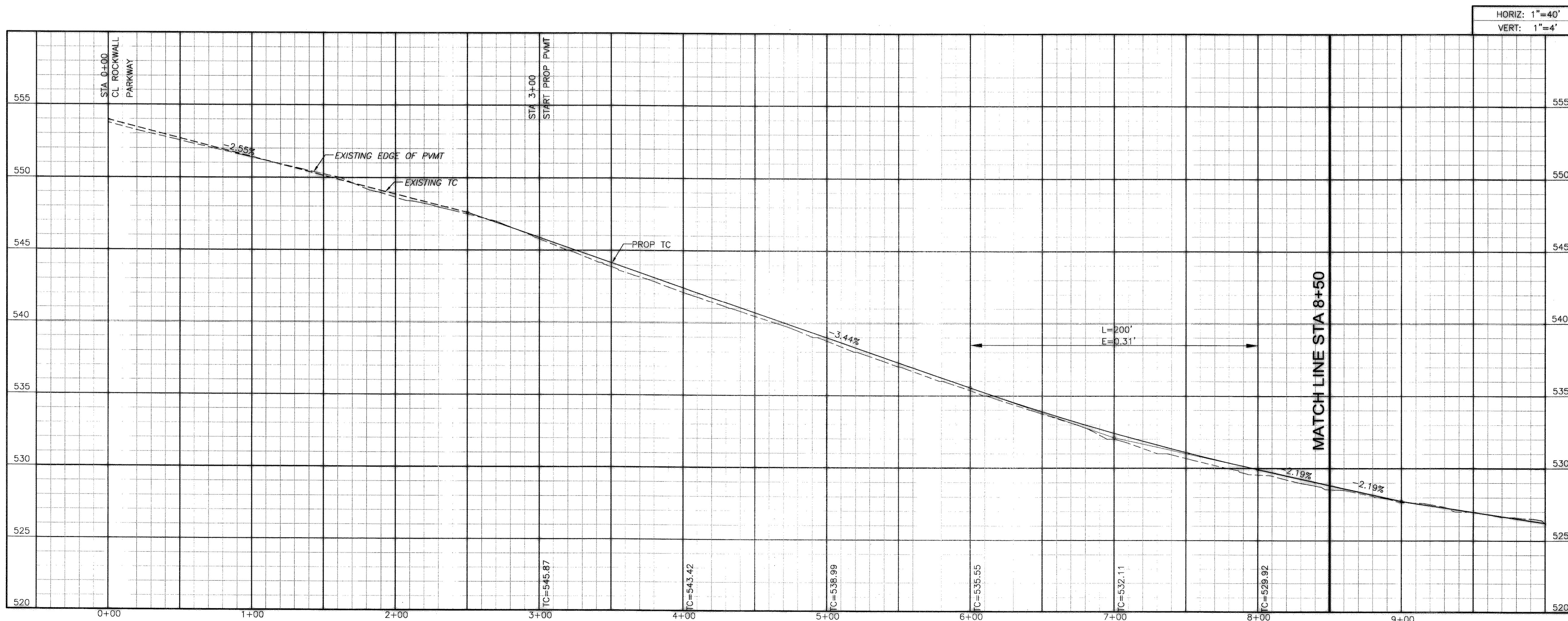
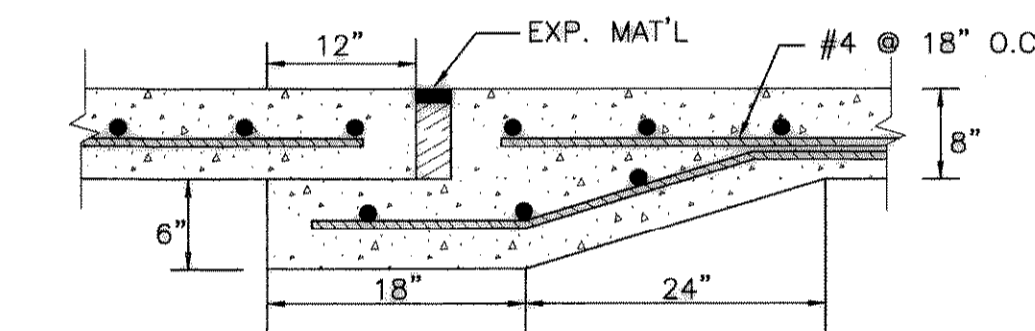
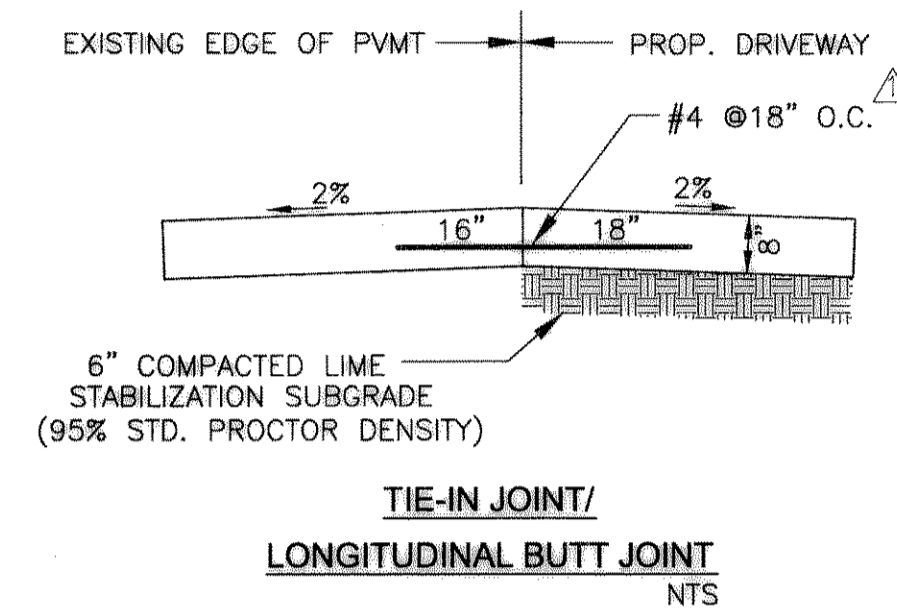
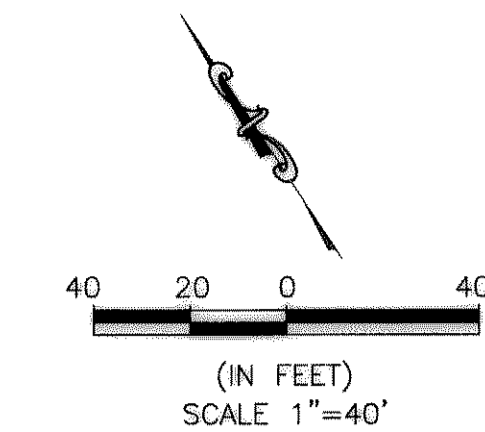


**NOTE:**  
REMOVE EXISTING BUTTON



**AS BUILT**  
THIS IS TO CERTIFY THAT CHANGES AND CORRECTIONS HAVE BEEN MADE TO CONFORM TO THE CONTRACTOR'S RECORD OF THIS PROJECT.



**SUMMER LEE DRIVE PLAN AND PROFILE  
STA. 0+00 TO 8+50**

HORIZON ROAD (FM 3097), SUMMER LEE DRIVE,  
AND TUBBS ROAD IMPROVEMENTS

CITY OF ROCKWALL, TEXAS

**PSA ENGINEERING**  
17819 DAVENPORT ROAD, SUITE 215 DALLAS, TX 75282 (972) 248-0651

| DESIGN | DRAWN | DATE     | SCALE    | CHECK | FILE     | NO. |
|--------|-------|----------|----------|-------|----------|-----|
| RNB    | PSA   | 06/27/08 | AS SHOWN | PSS   | 2607.PHR | P-3 |

AS BUILT

Y:\2006\2607.PHR\AS-BUILT\TP-3-4.dwg