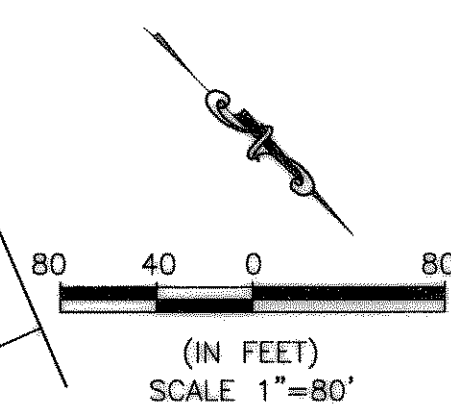


LOCATION MAP  
N.T.S.



**SUMMER LEE DRIVE**  
(60' R.O.W.)

D = 09°10'15"  
R = 915.00'  
L = 146.46'  
T = 73.38'  
CB = N26°44'09"E-146.30'

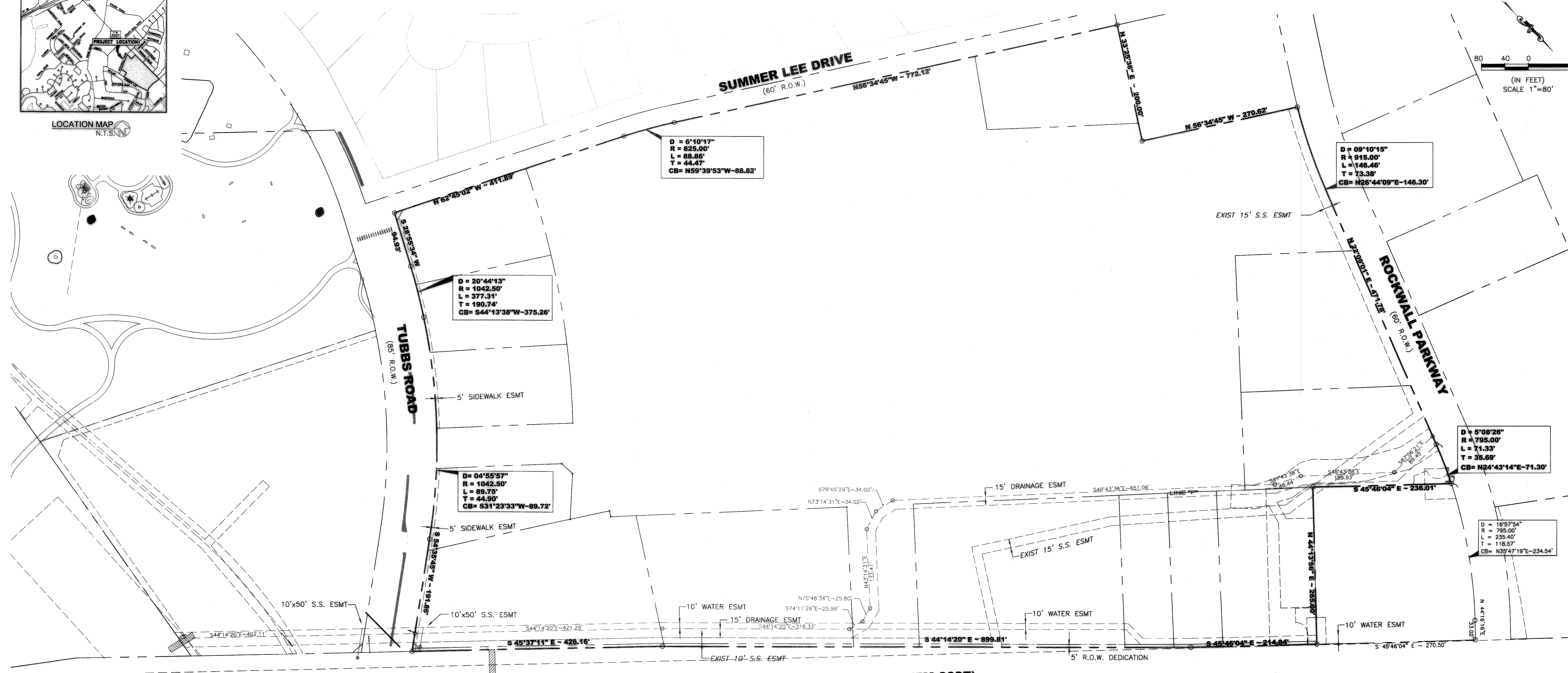
D = 6°10'17"  
R = 825.00'  
L = 88.88'  
T = 44.47'  
CB = N59°39'53"W-88.62'

D = 20°44'13"  
R = 1042.50'  
L = 377.31'  
T = 190.74'  
CB = S44°43'38"W-375.26'

D = 04°55'57"  
R = 1042.50'  
L = 89.75'  
T = 44.90'  
CB = S31°23'33"W-89.72'

D = 5°08'26"  
R = 795.00'  
L = 71.33'  
T = 35.69'  
CB = N24°43'14"E-71.30'

D = 16°57'54"  
R = 785.00'  
L = 235.40'  
T = 116.57'  
CB = N39°47'19"E-234.54'



**HORIZONTAL ROAD (FM 3097)**  
(110' R.O.W.)

**MULBERRY LANE**  
(50' R.O.W.)

**BROCKWAY DRIVE**  
(50' R.O.W.)

**HOLLAND COURT**  
(50' R.O.W.)

**AS BUILT**

THIS IS TO CERTIFY THAT CHANGES AND CORRECTIONS HAVE BEEN MADE TO CONFORM TO THE CONTRACTOR'S RECORD OF THIS PROJECT.



06.27.09

**PROPOSED EASEMENTS**

**HORIZON ROAD (FM 3097), SUMMER LEE DRIVE, AND TUBBS ROAD IMPROVEMENTS**

**CITY OF ROCKWALL, TEXAS**

**PSA ENGINEERING**  
17819 DAVENPORT ROAD, SUITE 215 DALLAS, TX 75252 (972) 248-9651

DESIGN	DRAWN	DATE	SCALE	CHECK	FILE	NO.
RNB	PSA	06/27/08	AS SHOWN	PSS	2607.PHR	G-2

AS BUILT