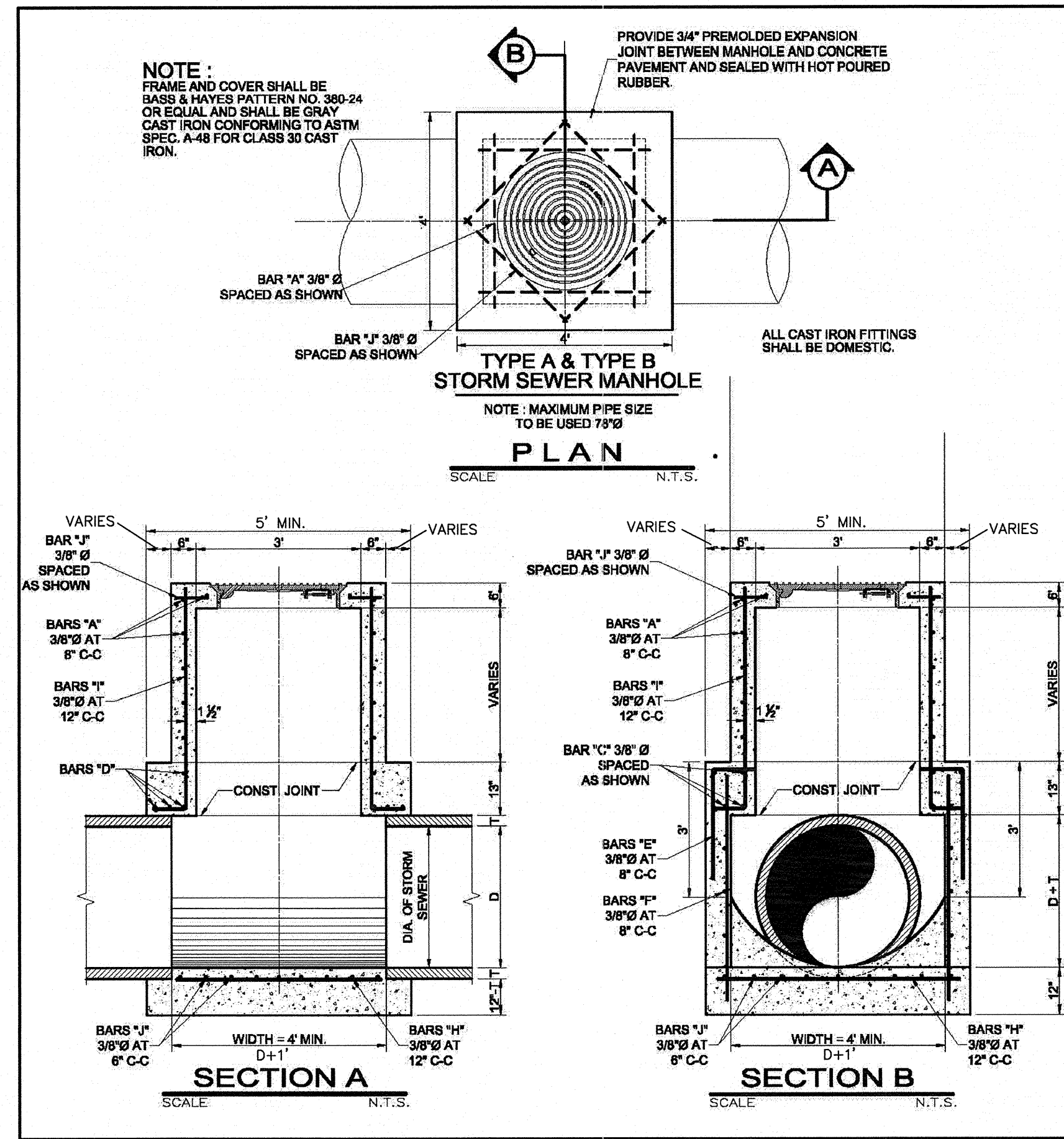


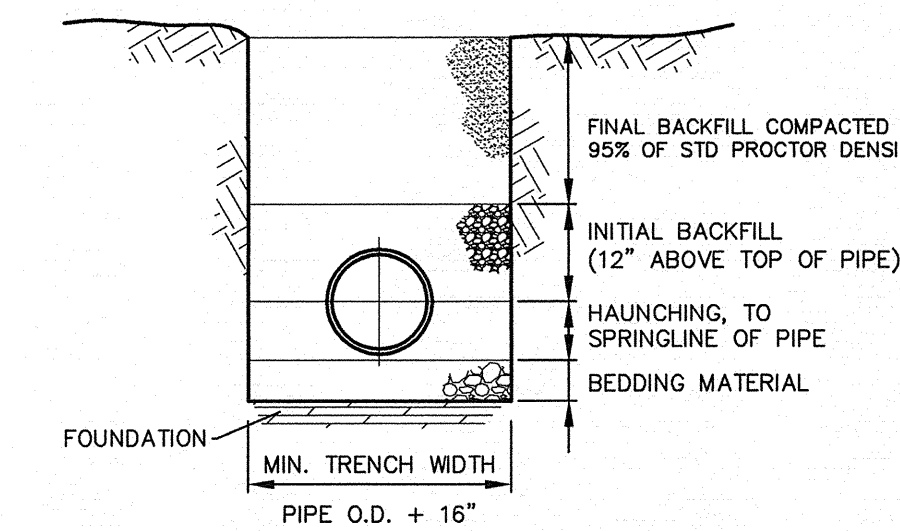
C4.5.1

UTILITY SUPPORT / CONCRETE COLLAR
SCALE: N.T.S.

NOTE:
CONTRACTOR SHALL REFER TO
NCTCOG 3RD EDITION DETAILS
WITH CITY OF ROCKWALL
REVISIONS.



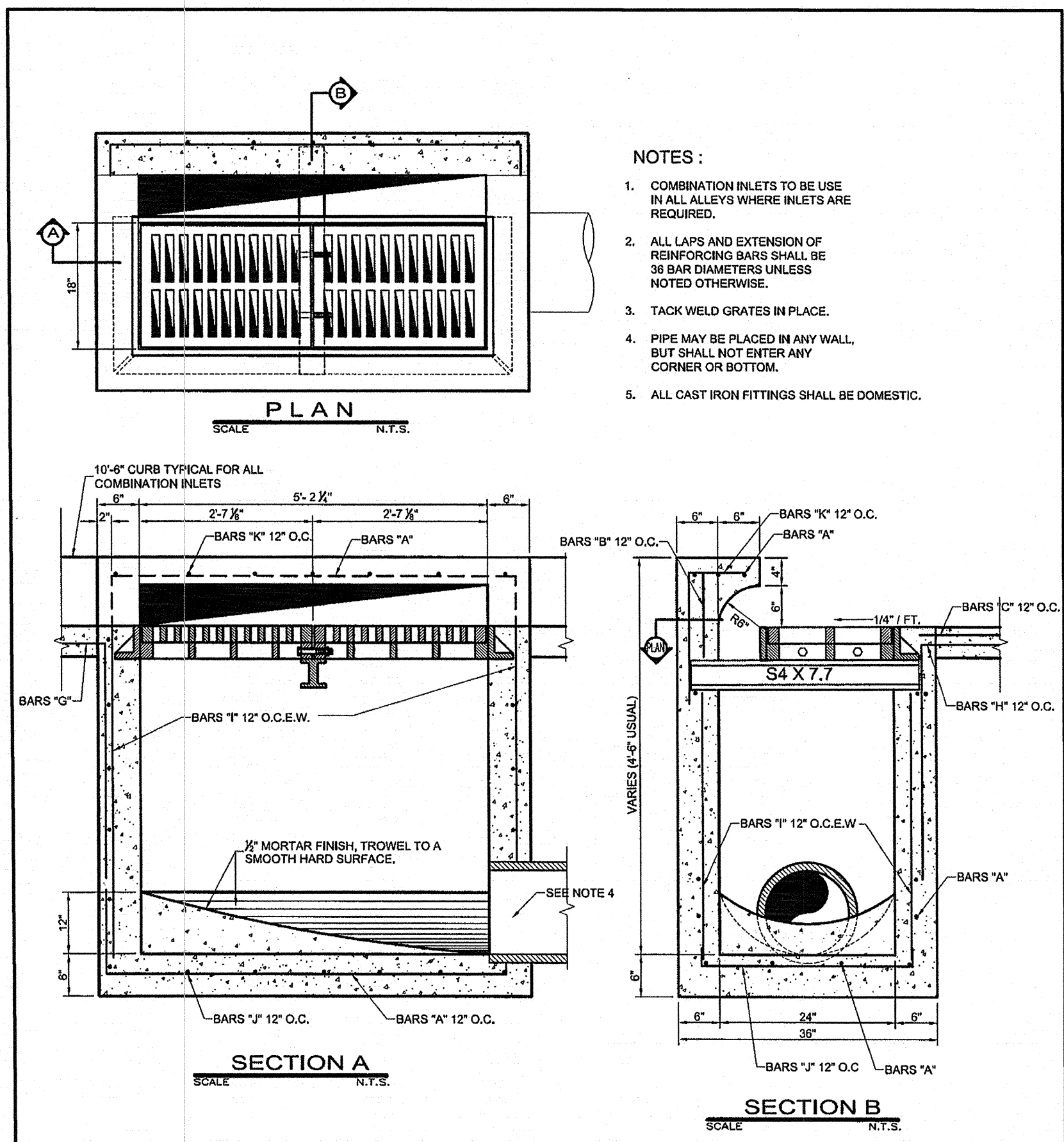
C4.5.2 TYPE 'B' STORM SEWER MANHOLE
SCALE: N.T.S.



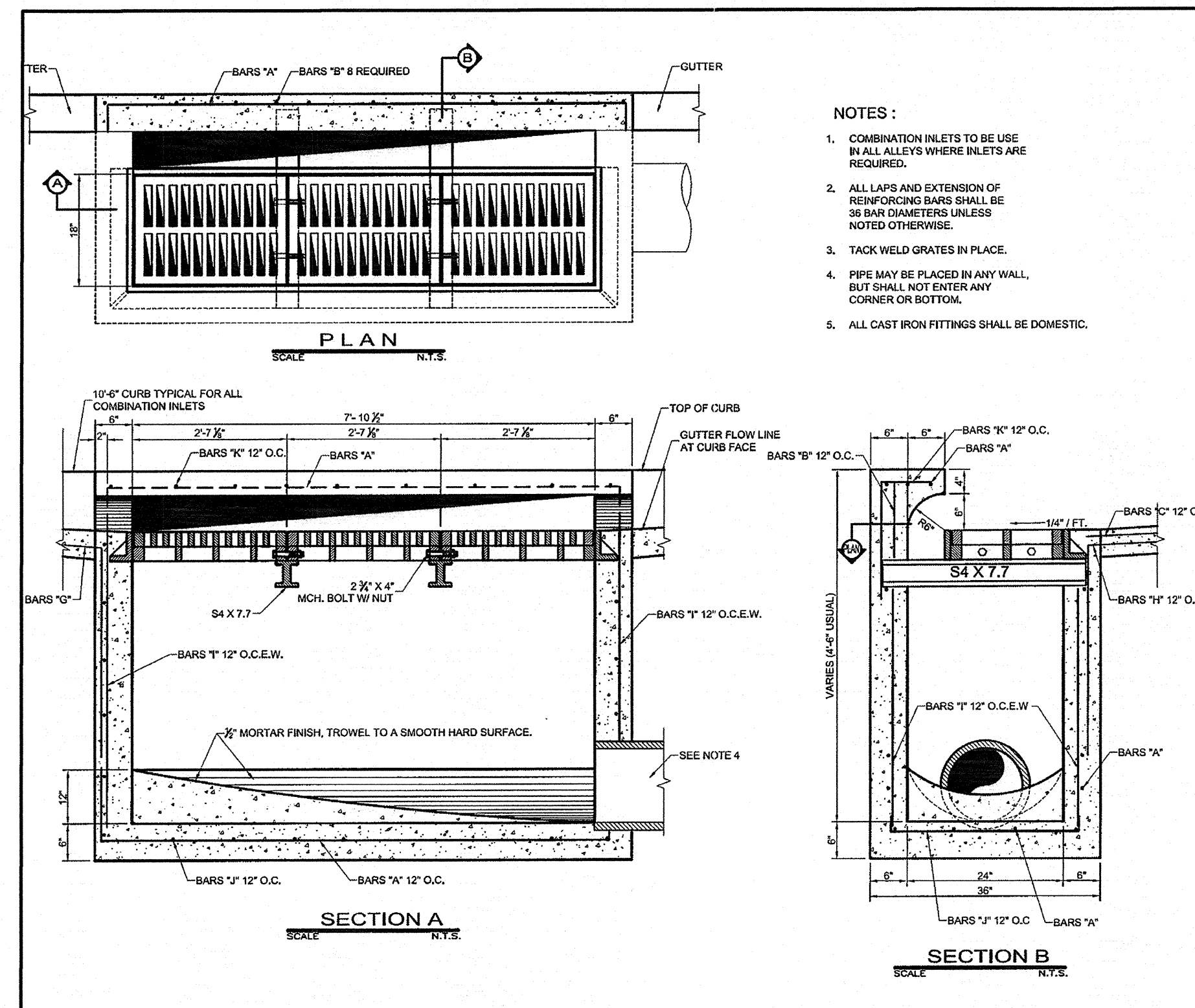
C4.5.3 PVC & HDPE STORM DRAINAGE PIPE EMBEDMENT
SCALE: N.T.S.

NOTES:
1. BEDDING: SUITABLE MATERIAL SHALL BE FINE CRUSHED ROCK, GRADE 8 PER NCTCOG ITEM 2.1.8(a) AND INSTALLED AS REQUIRED IN ASTM D2321, LATEST EDITION. BEDDING SHALL BE A MINIMUM OF 4" THICK.
2. HAUNCHING AND INITIAL BACKFILL: SUITABLE MATERIAL SHALL BE FINE CRUSHED ROCK, GRADE 8 PER NCTCOG ITEM 2.1.8(a) AND INSTALLED AS REQUIRED IN ASTM D2321, LATEST EDITION.

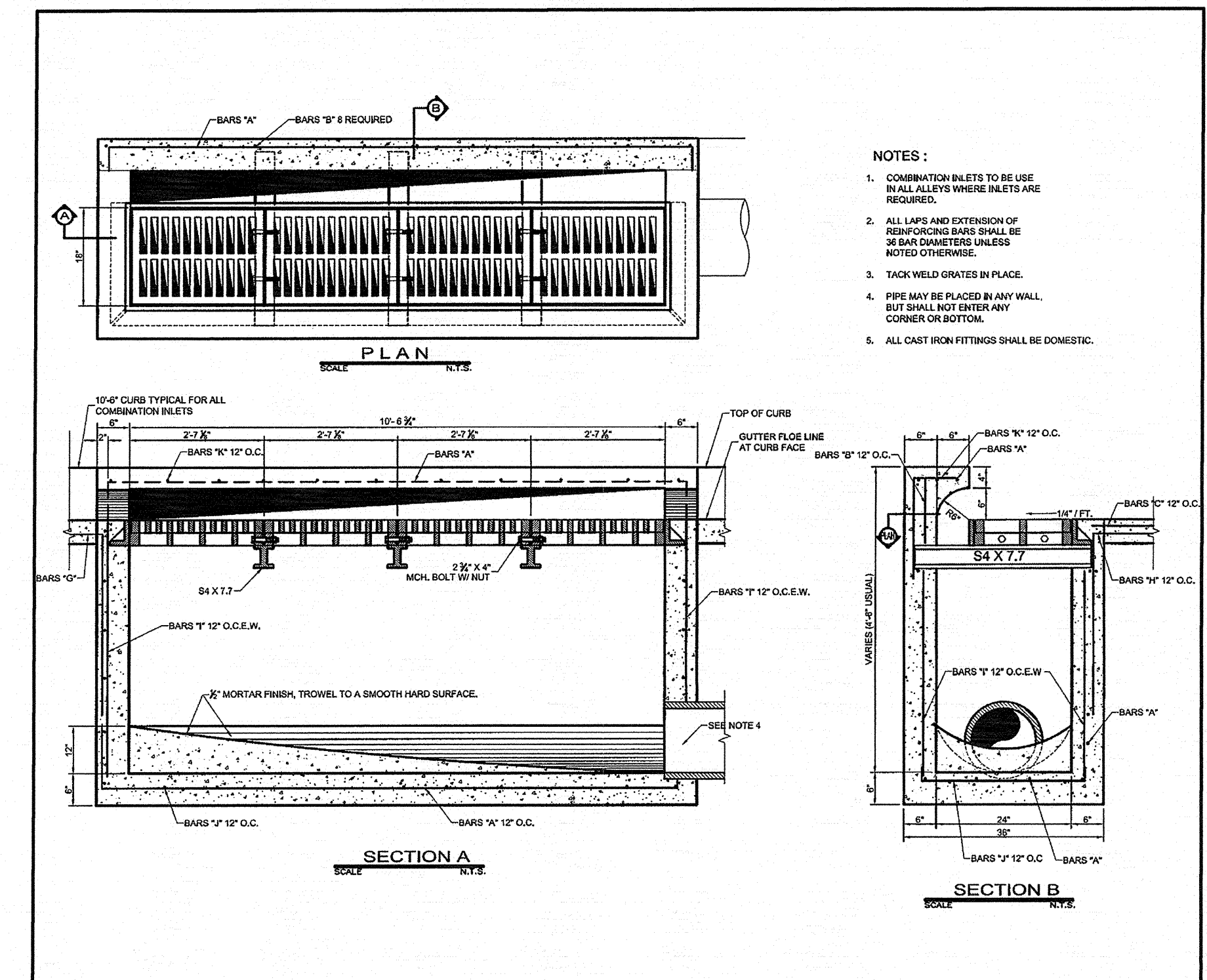
RECORD DRAWINGS:
THE INTENT OF THE OWNER AND ENGINEER WAS TO CONSTRUCT THE FACILITIES ACCORDING TO THESE PLANS AS APPROVED BY THE CITY OR GOVERNING AUTHORITY. TO THE BEST OF THE ENGINEERS KNOWLEDGE THE PLANS REFLECT REVISIONS MADE DURING CONSTRUCTION BASED ON A VISUAL SITE OBSERVATION BY THE ENGINEER AND INFORMATION PROVIDED BY:
W.B. KIBLER CONSTRUCTION CO, LTD
9722 ABERNATHY
DALLAS, TEXAS 75220
CONTACT: PHIL GULSVIG



COMBINATION INLET - TWO GRATE INLET



COMBINATION INLET - THREE GRATE INLET



COMBINATION INLET - FOUR GRATE INLET

C4.5.4 GRATE INLET DETAILS
SCALE: N.T.S.

ARCHITECT:
RUNYON Architects
AND ASSOCIATES INC
2508 HIGHLANDER WAY, SUITE 100
CARROLLTON, TEXAS 75006
972-233-7705
WWW.RUNYONARCH.COM

M.E.P. ENGINEER:
ROBERT D. ANDERSON, INC.
11836 Judd Court, Inc.
Dallas, Texas 75243
T 972.669.0915 F 972.669.0917

LANDSCAPE ARCHITECT:
T.H. PRITCHETT / Associates
Landscape Architects
1218 Camino Lago
Irving, Texas 75039
T 972.869.3535 F 214.697.2580

STRUCTURAL ENGINEER:
HUNT & JOINER
1825 Market Center Blvd.
Suite 620
Dallas, Texas 75207
T 214.760.7000 F 214.760.7050

CIVIL ENGINEER:
Bury+Partners
ENGINEERING SOLUTIONS
5310 Harvest Hill Road, Suite 100
Dallas, Texas 75230
Tel. (972)991-0011 Fax (972)991-0278
Texas Registration #F-1048

**ROCKWALL PLAZA
PHASE II
SHELL BUILDINGS 10-15
ROCKWALL, TEXAS 75087**

ISSUE	DATE	DESCRIPTION
7	JAM 12/14/10	78" STORM CONNECTION
12	JAM 05/24/11	AS BUILT DRAWINGS

RAA Project # : 1010
Project Manager : MWL



C4.3

STORM DRAIN DETAILS

F:\0108673-30001\8673001-DLS-STM.dwg modified by jbranch at Jun 03, 2011 12:55pm