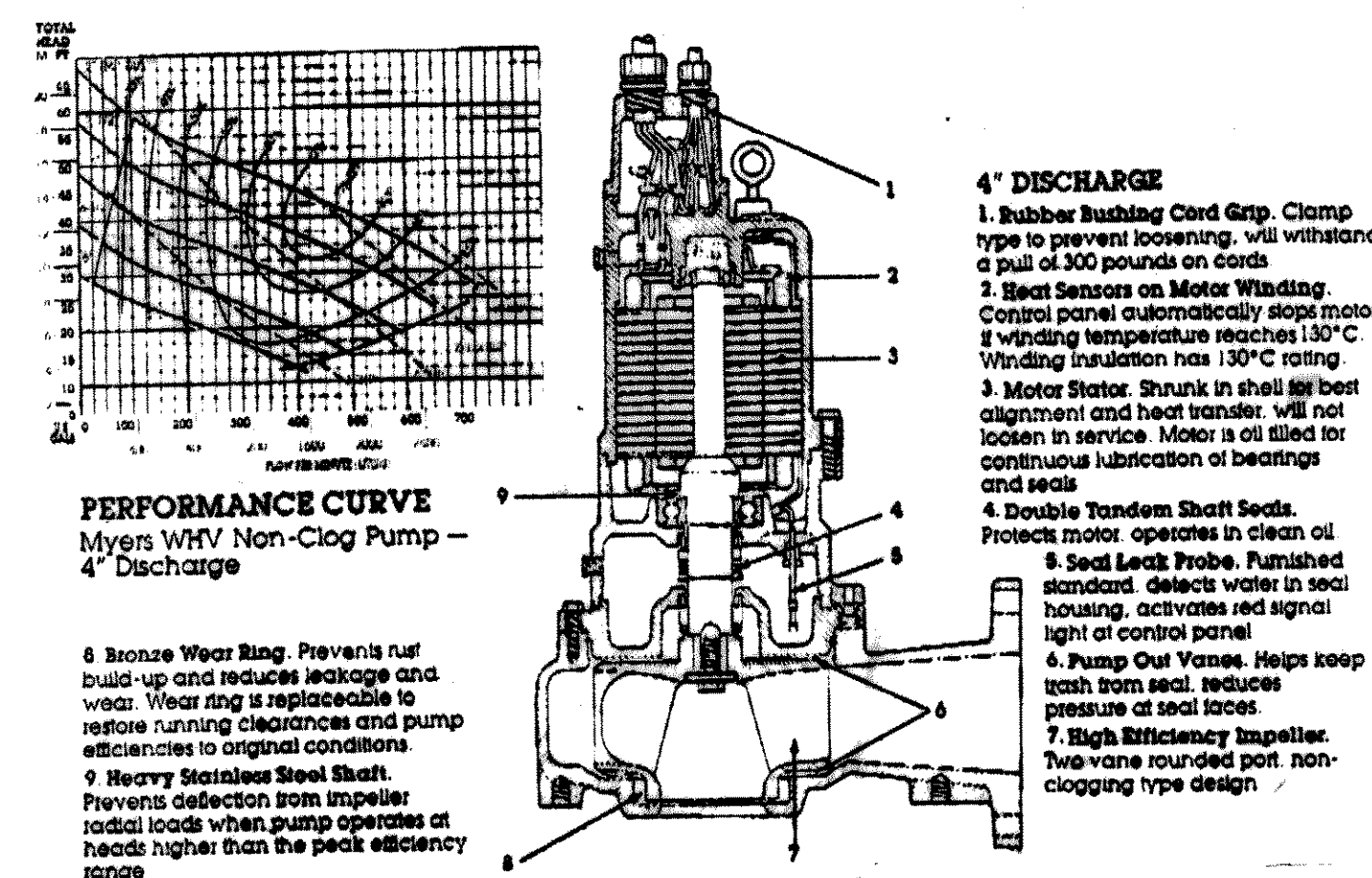


Myers Pump Model Number 4WHV Series :
 Non-Clog Submersible Pump with 2 Vane Enclosed Impeller.
 Capacity: 80 GPM at Total Head of 40 Feet and Using a
 5 HP Motor Operating at 1750 RPM 60 Hertz, Single
 Phase 230 Volts, Capacitor Start and Run Type.
 Aluminum Bilco Door - springloaded for valve vault.



SANITARY SEWER SYSTEM SUMMARY

MANHOLE	RESIDENTIAL FLOW			Commercial or Industrial Point Source Flow	Peak Infiltration/Inflow	Total Design Flow Maximum Wet-Weather Day		
	FROM	TO	CUMULATIVE POPULATION				AVERAGE DRY-DAY FLOW (gpm)	MAXIMUM DRY-DAY FLOW (gpm)
LN A	0+00	4+95	(9)	25.2	1.75	4.38	0.06	4.44
LN B	8+44	10+17	(4)	11.2	0.78	1.94	0.02	1.96
LN B	7+08	8+44	(2)	5.6	0.39	0.97	0.02	0.99
LN E	0+00	1+86	(3)	8.4	0.58	1.46	0.02	1.48
LN B	5+13	7+08	(1)	2.8	0.19	0.49	0.02	0.51
LN D	0+00	1+80	(3)	8.4	0.58	1.46	0.02	1.48
LN B	2+67	5+13	(1)	2.8	0.19	0.49	0.03	0.52
LN C	0+00	3+27	(3)	8.4	0.58	1.46	0.04	1.50
LN B	0+00	2+67	(0)	0	0	0	0.03	0.03

SANITARY SEWER SYSTEM SUMMARY

MANHOLE	RESIDENTIAL FLOW			Commercial or Industrial Point Source Flow	Peak Infiltration/Inflow	Total Design Flow Maximum Wet-Weather Day		
	FROM	TO	CUMULATIVE POPULATION				AVERAGE DRY-DAY FLOW (gpm)	MAXIMUM DRY-DAY FLOW (gpm)
LN F	3+89	5+90	(4)	11.2	0.78	1.94	0.02	1.96
LN C	0+00	4+71	(9)	25.2	1.75	4.38	0.08	4.46
LN F	0+15	3+89	(5)	14.0	0.97	2.43	0.04	2.47

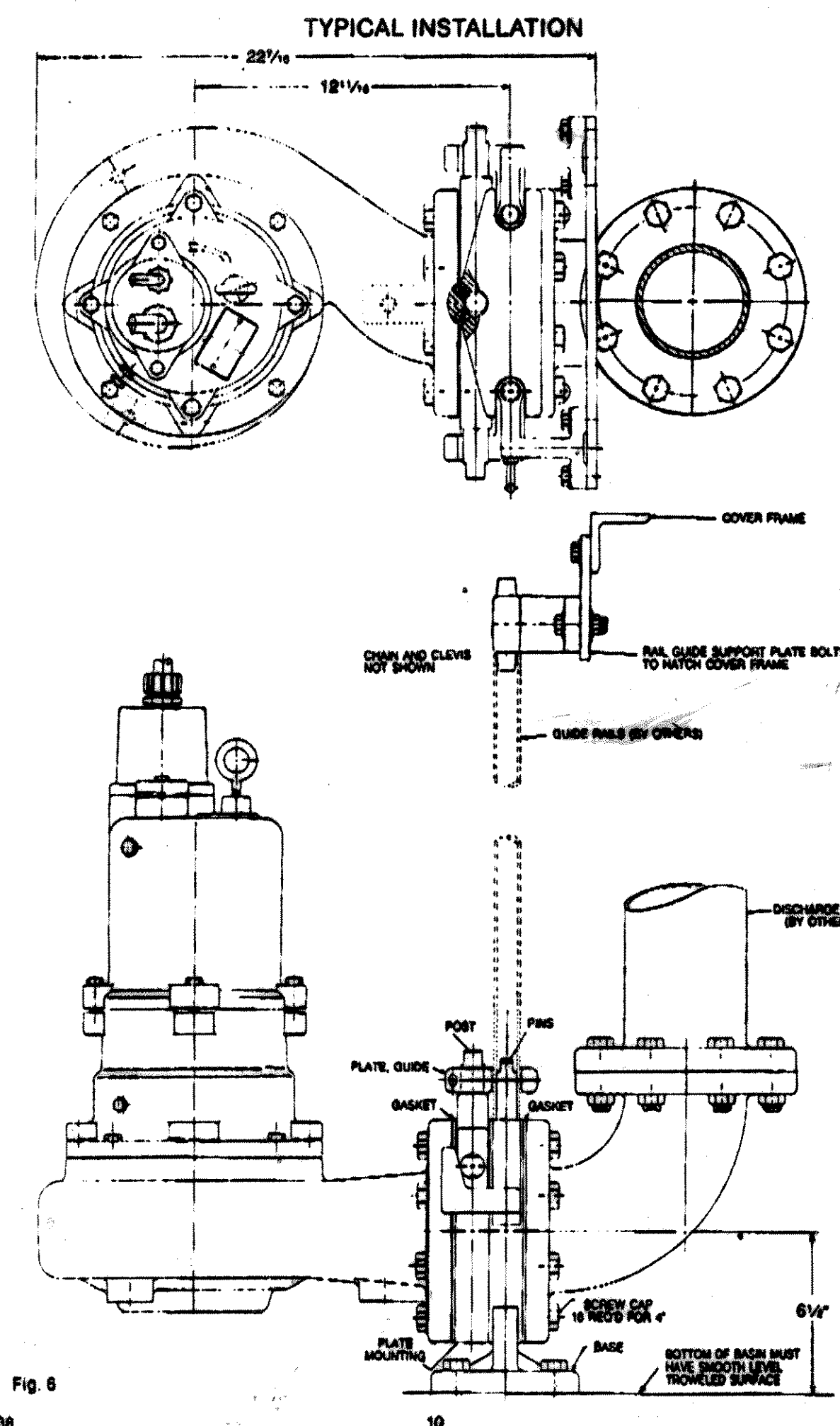


Fig. 6

29833A36

10

AS-BUILT



HAROLD L. EVANS CONSULTING ENGINEER 2331 GUS THOMASSON RD. SUITE 102 DALLAS, TEXAS 75228 PHONE (214) 328-8133		PUMP DETAILS THE PINNACLE CITY OF ROCKWALL, ROCKWALL COUNTY, TEXAS	
SCALE	DATE	JOB NO.	
	10-31-90	90115	

13
13